



**GENERAL
CATALOGUE**

DORCAS

Located in Valencia, in the town of Siete Aguas, **MONTAJES ELECTRÓNICOS DORCAS, S.L.** specialized since its founding in 1971, in the manufacture of electromechanical opening systems in order to provide effective solutions to all situations.

A valuable **commercial team** travels the world meeting the needs of its customers and enabling personalized service.



With a strong **international focus**, DORCAS comercializes its products in more than 70 countries on five continents, and adapts to many different standards and realities.



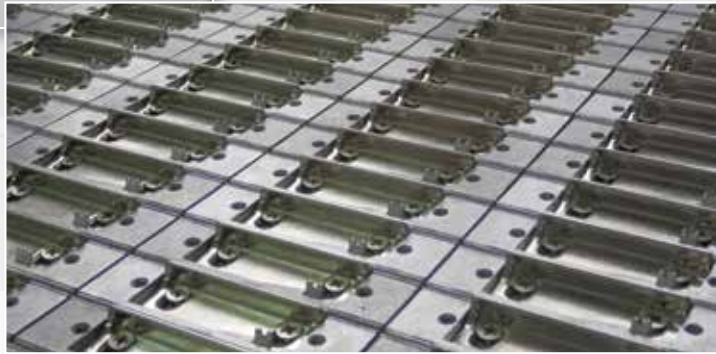
DORCAS

Innovation, in the hands of a dynamic department of R&D, is another distinctive feature of the company: new models are launched continuously in order to adequately meet the needs of a changing market. We have many patents and quality certifications world wide recognized.



We export to over 70 countries.

We are opening **new markets** in emergent countries.



We are strongly **consolidated** in Europe.



ELECTRIC STRIKES

PLATES

ELECTRIC LOCKS

SECURITY
CYLINDER SHIELDS

ELECTROMAGNETIC
LOCKS

ACCESS
CONTROLS

DOOR CLOSER

ACCESSORIES

INTRODUCTION

4

What is an electric strike?

4

Function Types

5

Electrical features

6

Mechanical features

6

Reversibility, symmetry and radial latch feature

7

How to install an electric strike?

7



ELECTRIC STRIKES

8



30/58 10



56 32



45/44 12



62 34



54 14



48 36



41 16



50 38



42/43 18



52 40



20/21/27 20



77 42



22/23 22



77 AR 45



65 24



82/82P 46



66 25



83 48



80 26



87 50



34 27



47/46/84 52



99 28



88 54



99 TOP 30







PLATES




56



ELECTRIC LOCKS

62

| | | |
|--|-----------------------|-----------|
|  | DUO | 64 |
|  | V10 ELECTRIC DEADBOLT | 68 |
|  | V7 ELECTRIC DEADBOLT | 69 |
|  | V11 ELECTRIC DEADBOLT | 70 |

| | | |
|---|----------------------------|-----------|
|  | D94 ELECTRIC RIM LOCK | 71 |
|  | D96 ELECTRIC RIM LOCK | 72 |
|  | D97/D98 ELECTRIC RIM LOCKS | 73 |



SECURITY CYLINDER SHIELDS

74



ELECTROMAGNETIC LOCKS

78



ELECTROMAGNETIC LOCKS **80**

PROFAST **82**



ELECTROMAGNETIC FIRE DOOR **83**



ACCESS CONTROLS

84



| | |
|-----|-----------|
| K10 | 86 |
| K7 | 88 |
| K2 | 89 |



| | |
|----|-----------|
| K8 | 90 |
| K4 | 91 |



DOORCLOSERS

92



| | |
|-----|-----------|
| DC1 | 95 |
| DC2 | 96 |
| DC3 | 97 |
| DC4 | 98 |
| DC5 | 99 |



| | |
|-------------|------------|
| DC6 | 100 |
| FS1 Y FS2 | 101 |
| DH1 | 102 |
| D.O. ACCSIE | 103 |



ACCESSORIES

106

| | |
|----------------------------------|------------|
| TRANSFORMERS AND POWER SUPPLIES | 108 |
| ELECTRIC CONTACTS AND DOOR LOOPS | 109 |
| PUSH BUTTONS | 110 |
| LATCHES | 111 |

CERTIFICATES

112

ELECTRIC STRIKES

PLATES

ELECTRIC LOCKS

SECURITY CYLINDER SHIELDS

ELECTROMAGNETIC LOCKS

ACCESS CONTROLS

DOOR CLOSER

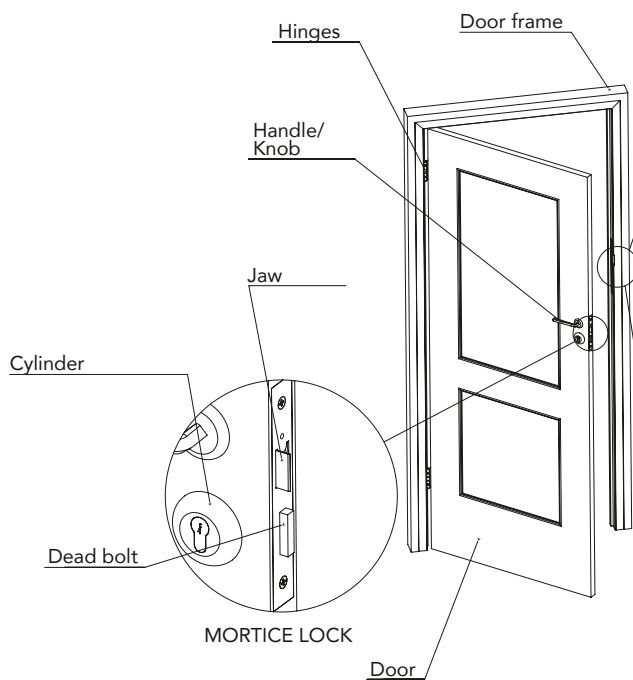
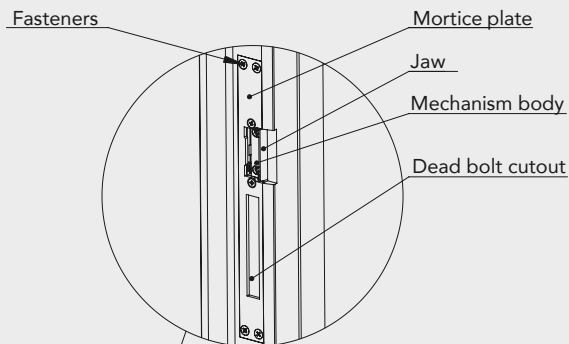
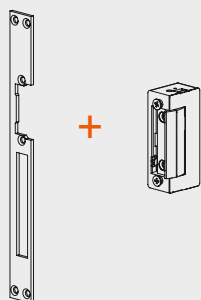
ACCESSORIES

What is an Electric Strike or an Electric Door Release?

An electric strike is an electromechanical device installed in a frame allowing an electrical opening

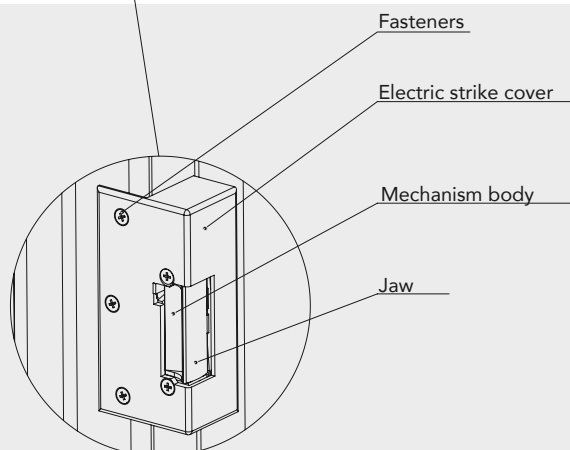
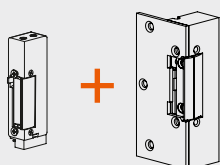
FLUSH MOUNTED ELECTRIC STRIKE

A flush mounted electric strike is a mechanism body installed into the door frame and is fixed on it thanks to the plate



RIM ELECTRIC STRIKE INSTALLATION

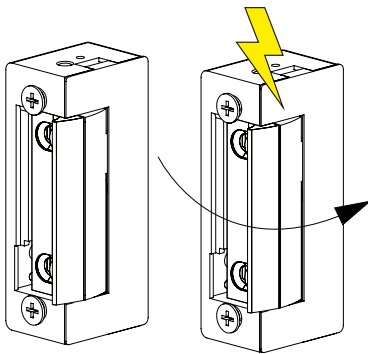
A rim electric strike installation is installed onto the door frame in case it does not allow a flush mounted installation. It consists of a mechanism body and an electric strike cover.



Dorcas has a wide range of electric strikes with different functions and features that make our products offer any locking solution . Our Electric strikes cover almost all kinds of applications, wood doors, aluminum doors, heave iron doors, glass doors, waterproof and fire-proof ... They work with three types of standard functions; standard function, delay action and timed delay action function, besides the different variants and versions derived from them, and other special functions for more specific and professional electric strikes.

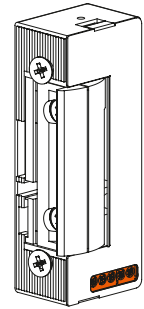
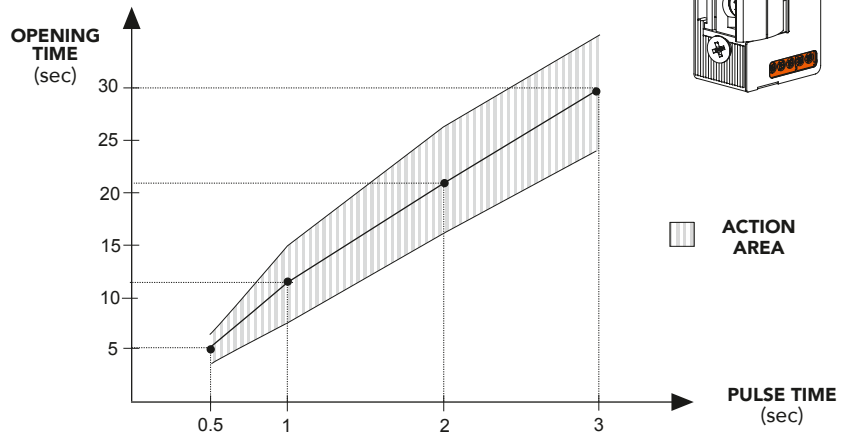
Standard Function (N)

In the standard function, an electric strike remains locked until it receives an electrical impulse, as long as it lasts the electric strike unlocks the door allowing the door access.



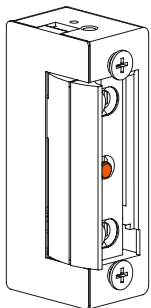
Timed Delay Action (At)

Timed delay action allows the opening in a defined period of time. When electric strike is powered, the door is ready for its opening during a period of time defined by the electric power impulse length (between 5 and 30 sec.) It locks again by itself if the door is not open in that time.

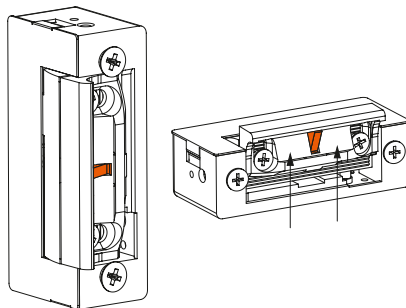


Delay Action (A, Ab, Aa)

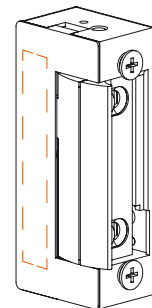
Delay action contact function allows an access when electricity is applied to the electric strike. This access does not have to be immediate. The door remains open since electricity is applied until the door is open and closed again. Dorcas provides different delay action contact systems depending on the built in construction of the electric strikes.



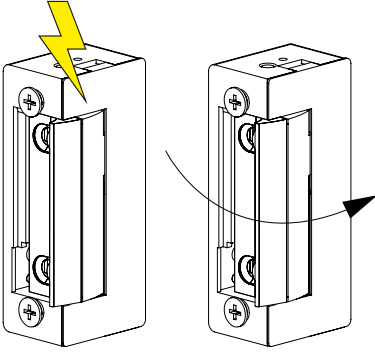
Delay action contact mechanism (A) allows the door to remain open until an access occurs. This feature is possible thanks a bolt on the front of the electric strike that is activated when electric power is supplied.



Sliding delay action contact mechanism (Ab) is a new feature built into some of the most innovative DORCAS electric strikes. The delay action contact mechanism is improved by a system that moves along with the external latch allowing the delay action system to work in any regulation of the mechanism.

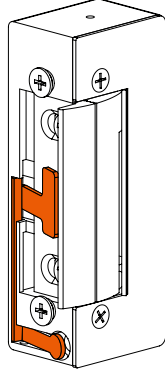


Built in delay action provides the electric strike the delay action contact function without any external piece or mechanism thanks to its internal construction. It is recommended a short electric pulse for its correct operation performance.



Fail Safe / 500

Function 500 or “fail safe”. It works in a inverted way, that means that the electric strike remains open until an electric pulse closes de door. In case of power cut the doors stays open helping people to leave the building




Monitored (305)

This version has a built in microswitch with NO/NC contact informing if the door is open or closed thanks to additional wire output , then a security or access control system can use this information providing multiple applications. (alarms, access controls, gates...)


ELECTRICAL AVAILABLE FEATURES

In addition to the functions and mechanical features, most of DORCAS electric strikes are provided with different electrical functions and options depending the current type they use.



Continuously Rated (VDC)

Function known as 400 or “fail secure”. It works like the standard function (N) but you can keep more over the power supply continuously, for instance with a switch. It is used as a low consumption standard mode.



VAC current

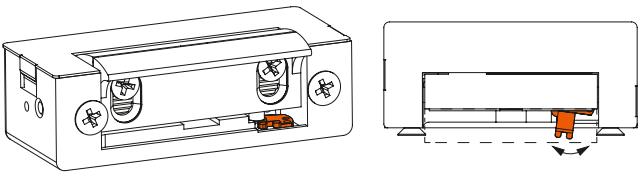
Depending on the installation type, sometimes AC working is more indicated. That is why we offer our models with that option. VAC electric strikes very short electric pulse in order to open the door.

ADDITIONAL MECHANICAL FEATURES

Besides different functions, DORCAS provides a series of additional mechanical options. This features are unlatching mechanism and adjustable jaw.

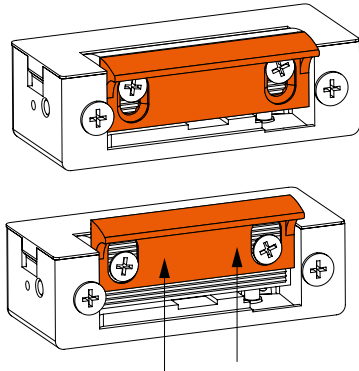
Unlatching Mechanism (D)

Unlatching mechanism lever allows to let the electric strike open permanently. If you turn it again, it recovers its normal functioning. This option is optimun for neighbourhoods, constructions...



Adjustable Flex Jaw (F)

Adjustable external jaw consists in a latch divided in two parts, the external part allow to adjust the reception of the door latch in a wider range making it easier its installation.



REVERSIBILITY, SYMMETRY AND RADIAL LATCH FEATURE

Reversibility, symmetry and radial latch feature

Every symmetrical electric strike, they can be installed in both Din left and Din right doors.

How to determine the side of the door?

Hinges

Din right Din left

In the case of unsymmetrical electric strikes they can be reversible like 30 series or non-reversible like 77 series. For non-reversible series you will have to indicate if the door in which you are willing to install it is Din left or Din right. In this diagram you can identify what kind of door you have.

NO RADIAL JAW RADIAL JAW

Radial feature incorporates a latch that spins on a displaced axis towards the bottom of the electric release allowing to reduce its movement area. The installation is easier, more aesthetic and allows a smaller cutout in the frame of the door.

ELEMENTS IN AN ELECTRIC STRIKE INSTALLATION

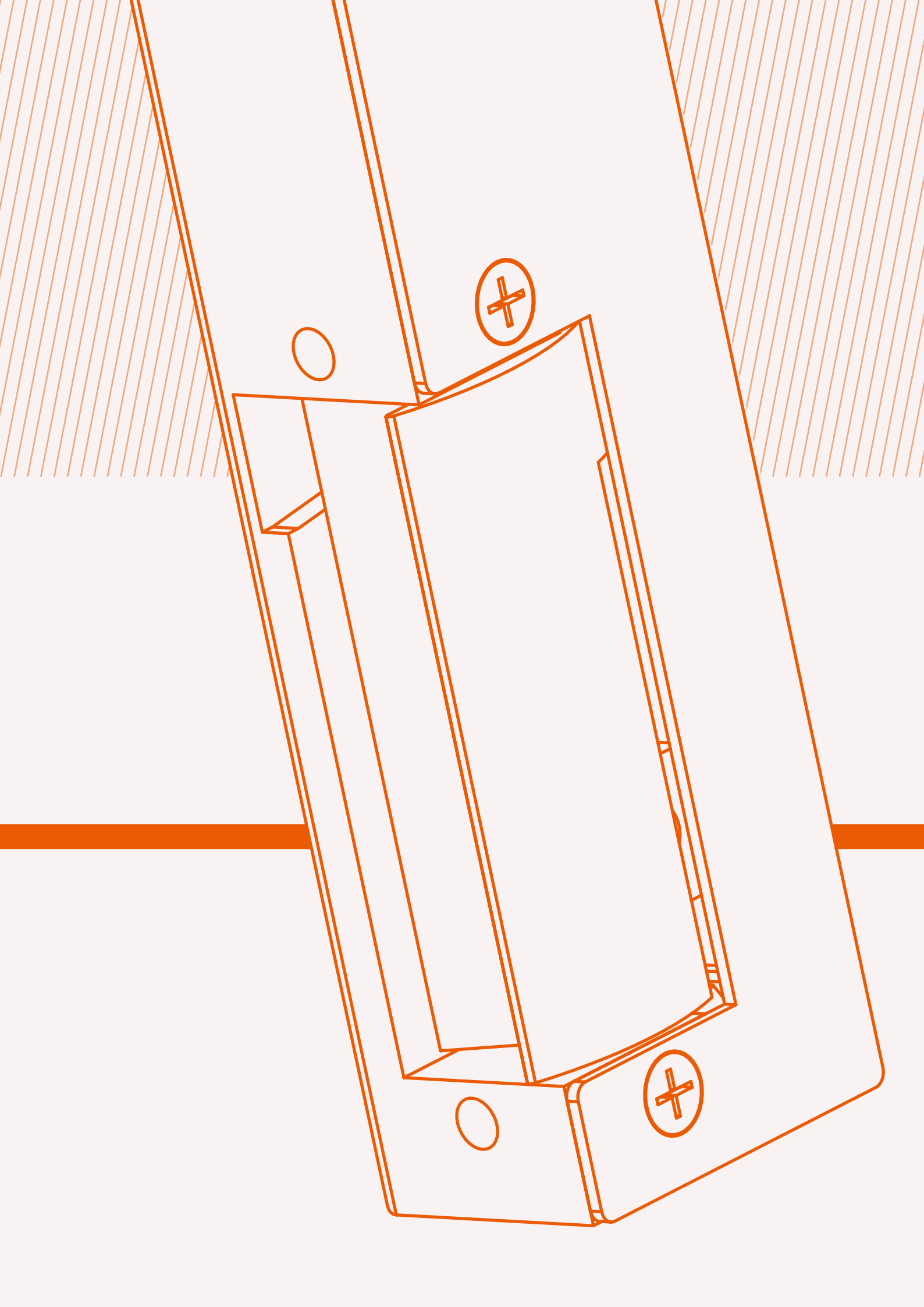
Even if you are a particular or a professional installer, all our products have been designed thinking about you in order to make easier you to work in a easy, safe and reliable way.

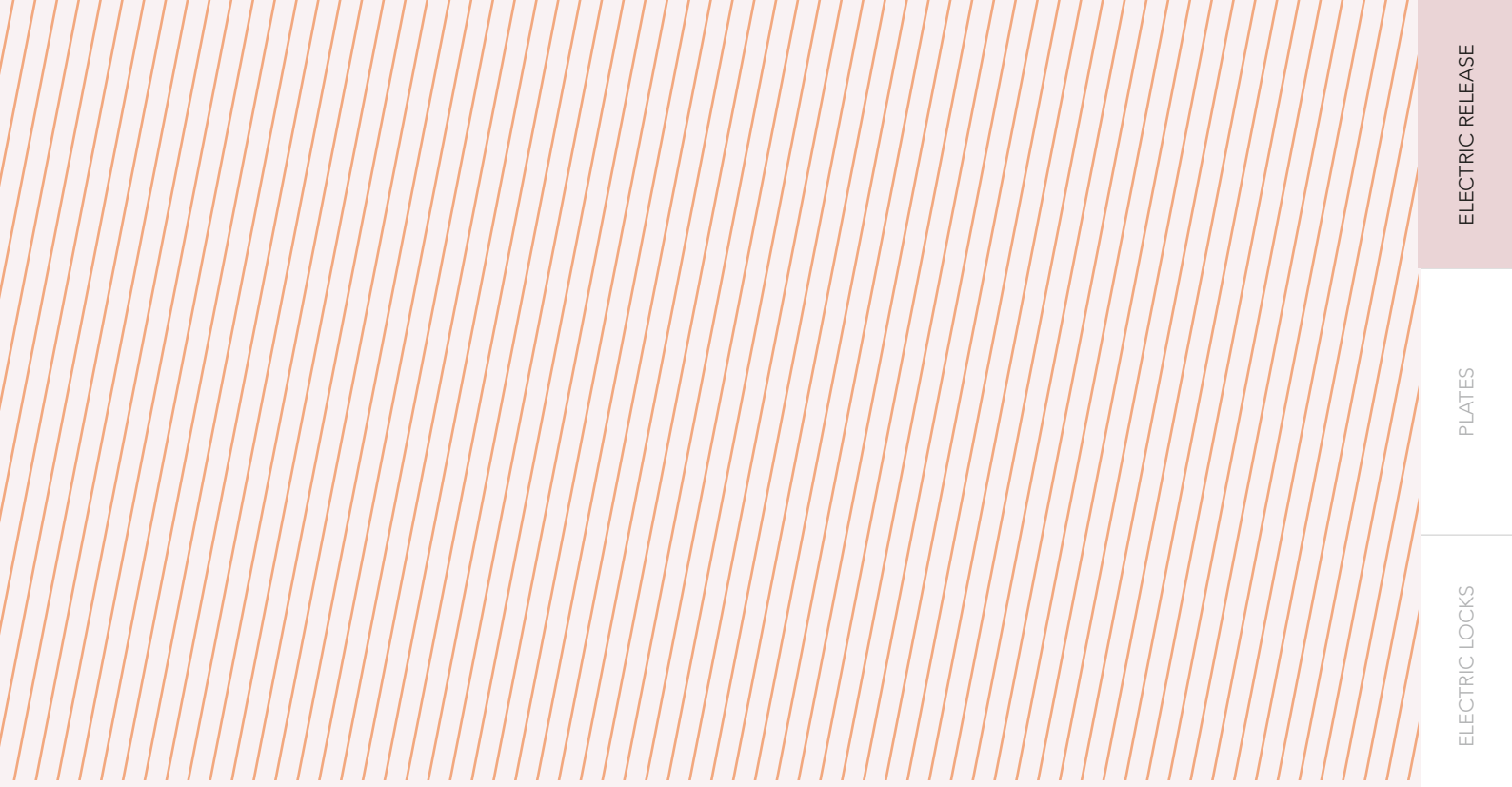
The first step for installing our electric strikes will be make a cutout in the door frame with the necessary dimensions for shelter it an leave the plate at the same level of the frame.

Electric strike with its mortice plate ready to be installed

DORCAS offers you to acquire the suitable transformers together with its products

DORCAS offers you as well a full range of accessories for complemant and customice your installation in the way that better fits for your needs, push buttons, electric contacts, latches, magnetic locks, electric locks, door-closers...





ELECTRIC RELEASE

PLATES

ELECTRIC LOCKS

SECURITY
CYLINDER SHIELDS

ELECTROMAGNETIC
LOCKS

ACCESS
CONTROLS

DOOR CLOSER

ACCESSORIES

ELECTRIC STRIKES

DORCAS

DORCAS STANDARD SERIES

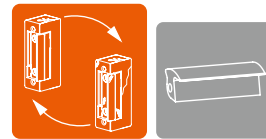
30/58 SERIES

30 Series is a very popular range in the market for many years . It's a good solution for replacement, available in fix and adjustable jaw.

58 Series is the same as 30 series but with radial jaw.



- REPLACEMENT
- ADJUSTABLE AND FIX JAW



| TECHNICAL CHARACTERISTICS | 30 series | | | 58 series | | | | |
|---------------------------------------|------------------------|---------------------|---------------------|--------------------|--------------|--------------|--------------|--------------|
| High | 90,8 mm | | | 90,8 mm | | | | |
| Width | 20 mm | | | 20 mm | | | | |
| Depth | 28 mm | | | 28 mm | | | | |
| Setting the flex flap | +4 | | | -1+2 | | | | |
| Latch depth | 8,1 mm | | | 5 mm | | | | |
| Cycles tested on power electricity | 300.000 | | | 300.000 | | | | |
| Holding force | 2.950 N / 300 Kg-f | | | 2.950 N / 300 kg-f | | | | |
| Operating temperature range | -15 °C a +40°C | | | -15 °C a +40°C | | | | |
| Diode or varistor | Optional | | | Optional | | | | |
| Microswitch | Optional | | | | | | | |
| | 8-12 V | | | 24 V | 12 VDC (412) | 24 VDC (424) | 12 VDC (512) | 24 VDC (524) |
| Coil resistance (Ω) | 8 | 17 | 30 | 58 | 68 | 132 | 70 | 230 |
| VAC power consumption (mA) | 800(8V) 1200(12V) | 370(8V) 560(12V) | | 330 | | | | |
| VAC power consumption (mA) | 1000(8V) 1500(12V) | 470(8V) 700(12V) | 260(8V) 400(12V) | | 180 VDC | 180 VDC | 150 VDC | 120 VDC |
| Working range kept current (V) | | | | - | 11-12 | 23-24 | 11-12 | 23-24 |
| Maximum preload latch to open VAC (N) | 30 Series 100 (12V) | - | - | - | - | - | - | - |
| | 58 Series 100 (12V) | | | | | | | |

POWER SUPPLIES

For a suitable performance we recommend:

AC 12V TF3



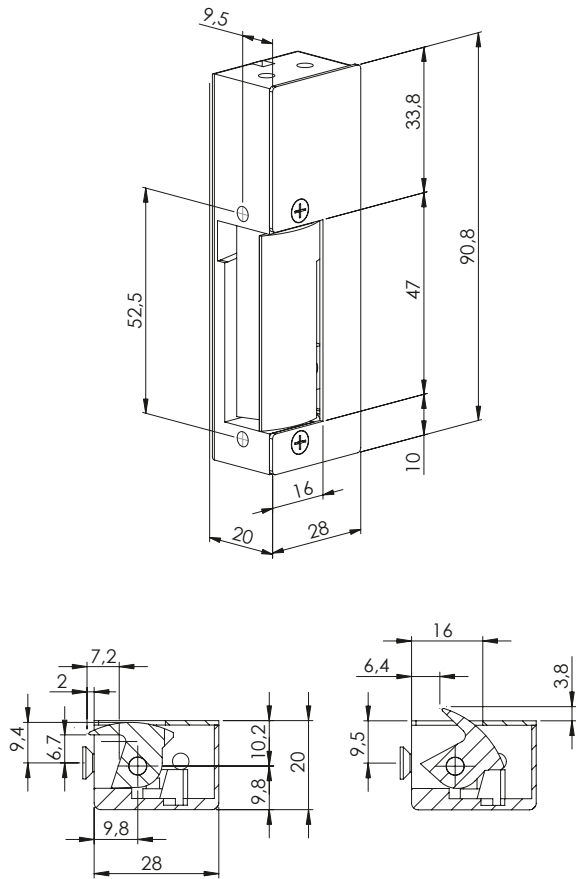
DC 12V

AC 24V TF8



DC 24V Accessories section page 106

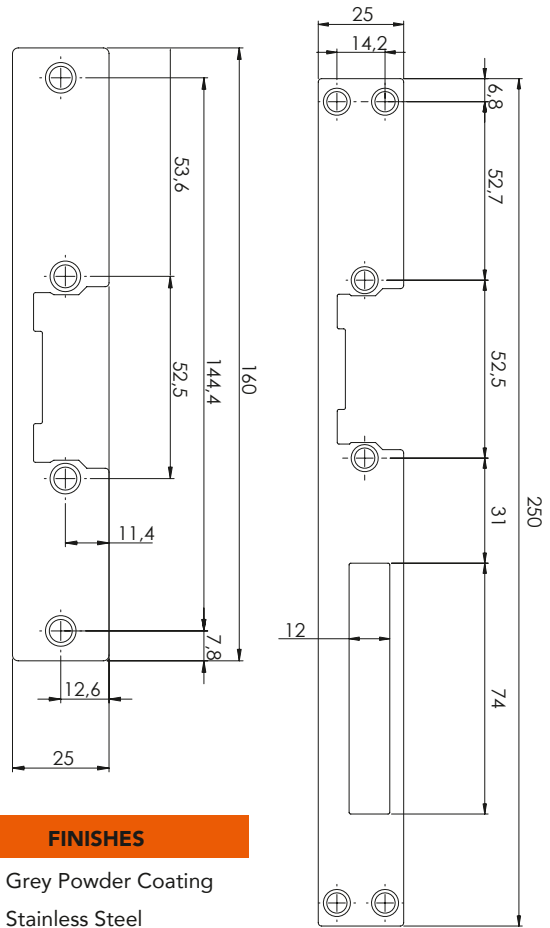
MECHANISM



RECOMMENDED FACE PLATES

S (10)

G (21)



FINISHES

- G** Grey Powder Coating
- X** Stainless Steel

You can request any other finish. Please ask for delivery time

| CODE | DESCRIPTION | STANDARD | DELAY ACTION (A) | DELAY ACTION INVISIBLE (Aa) | TIMED DELAY ACTION (At) | SLIDING DELAY ACTION (Ab) | FAIL SAFE / 500 | MONITORED (305) | UNLATCHING MECHANISM | ADJUSTABLE JAW | ELECTRICAL AVAILABLE FEATURES ** |
|------|-------------|----------|------------------|-----------------------------|-------------------------|---------------------------|-----------------|-----------------|----------------------|----------------|----------------------------------|
| 3001 | 30NF | ● | | | | | | | ● | | V AC |
| 3002 | 30NDF | ● | | | | | | ● | ● | | V AC |
| 3003 | 30AF | | ● | | | | | | ● | | V AC |
| 3004 | 30ADF | | ● | | | | | | ● | | V AC |
| 3005 | 30AAF | | | ● | | | | | ● | | V AC |
| 3006 | 30AADF | | | ● | | | | | ● | | V AC |
| 3007 | 30NF 412 | ● | | | | | | | ● | | 12V DC |
| 3008 | 30NDF 412 | ● | | | | | | | ● | | 12V DC |
| 3009 | 30AF 412 | | ● | | | | | | ● | | 12V DC |
| 3010 | 30ADF 412 | | ● | | | | | | ● | | 12V DC |
| 3013 | 30NF 512 | | | | | | ● | | ● | | 12V DC |
| 3015 | 30N | ● | | | | | | | | | V AC |
| 3016 | 30ND | ● | | | | | | | ● | | V AC |
| 3017 | 30A | | ● | | | | | | | | V AC |
| 3018 | 30AD | | ● | | | | | | ● | | V AC |
| 3019 | 30AA | | | ● | | | | | | | V AC |
| 3020 | 30AAD | | | ● | | | | | ● | | V AC |
| 3021 | 30N 412 | ● | | | | | | | | | 12V DC |
| 3022 | 30ND 412 | ● | | | | | | | ● | | 12V DC |
| 3023 | 30A 412 | | ● | | | | | | | | 12V DC |
| 3024 | 30AD 412 | | ● | | | | | | ● | | 12V DC |
| 3027 | 30N 512 | | | | | | ● | | | | 12V DC |
| 3029 | 30N 305 | ● | | | | | | ● | | | V AC |
| 3030 | 30N 305 412 | ● | | | | | | ● | | | 12V DC |
| 3031 | 30N 305 512 | | | | | | ● | ● | | | 12V DC |

** 24V version available , simply enter 24 after the reference. Example: 3029 24
 For inquiry at 104mm long body mechanism, add a "B" after the CODE. Example: 3015 B
 In adjustable version, you can order radial jaw. You must write "58_" instead of "30_". Example: 5806
 Standard coil is 8Ω, others available.

CODIFICATION EXAMPLE: 3001/10G
DESCRIPTION EXAMPLE: 30 NF/SG

30 Series mechanism box with normal function and regulable external jaw and plate 10 ("S" according to the description) painted in grey colour.

CODIFICATION EXAMPLE: 5804/21X
DESCRIPTION EXAMPLE: 58 ADF/GX

58 Series mechanism box with delay action, UNLATCHING MECHANISM and regulable external jaw, with plate 21 ("G" according to the description) stainless steel finish.

For more information about compatible faceplates, see page 56 and following

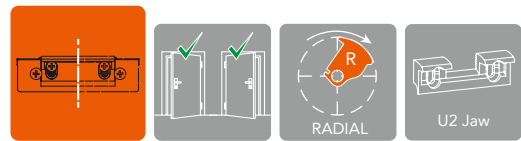
DORCAS STANDARD SERIES 45/44 SERIES

45 Series stands out for its non handed feature thanks to its symmetrical mechanism body.

45 Series is the same as 44 Series but with radial jaw.



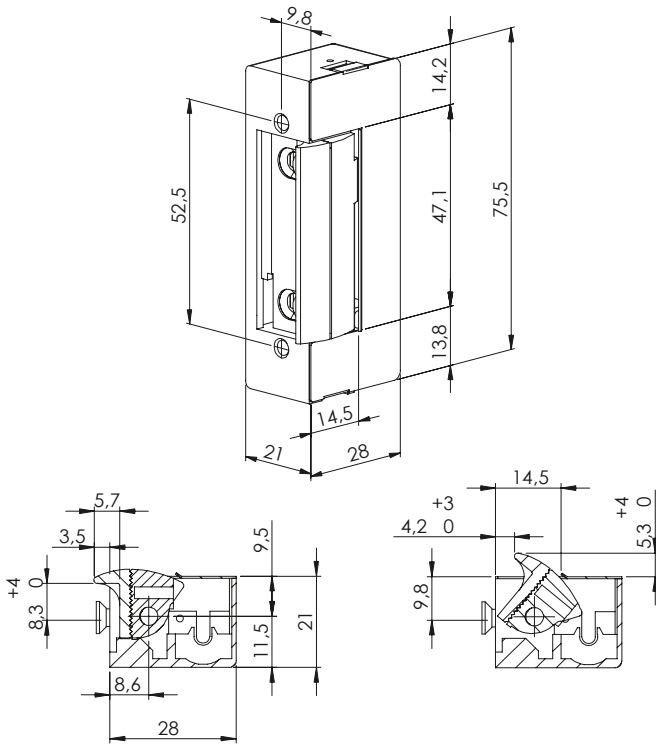
- SYMMETRICAL
- NON HANDED
- RADIAL JAW
- U2 ADJUSTABLE JAW AVAILABLE



| TECHNICAL CHARACTERISTICS | 45 series | | | 44 series | | | | |
|---------------------------------------|------------------------|---------------------|------|--------------------|--------------|--------------|--------------|---------|
| High | 75,5 mm | | | 75,5 mm | | | | |
| Width | 21 mm | | | 21 mm | | | | |
| Depth | 28 mm | | | 28 mm | | | | |
| Setting the flex flap | 4 mm | | | +1-1 mm | | | | |
| Latch depth | 5,7 mm | | | 5,1 mm | | | | |
| Cycles tested on power electricity | 300.000 | | | 300.000 | | | | |
| Holding force | 3.250 N /330 Kg-f | | | 3.450 N / 350 kg-f | | | | |
| Operating temperature range | -15 °C a +40°C | | | -15 °C a +40°C | | | | |
| Diode or varistor | Optional | | | Optional | | | | |
| | 6-12 V | 8-12 V | 24 V | 12 VDC (412) | 24 VDC (424) | 12 VDC (512) | 24 VDC (524) | |
| Coil resistance (Ω) | 8 | 17 | 58 | 30 | 45 | 132 | 60 | 230 |
| VAC power consumption (mA) | 600(6V) 1200(12V) | 370(8V) 560(12V) | 330 | | | | | |
| VAC power consumption (mA) | 750(6V) 1500(12V) | 470(8V) 700(12V) | | 400 VDC | 260 VDC | 180 VDC | 200 VDC | 120 VDC |
| Working range kept current (V) | | | - | 11-12 | 11-12 | 23-24 | 11-12 | 23-24 |
| Maximum preload latch to open VAC (N) | 45 Series 400 (12V) | - | - | - | - | - | - | - |
| | 44 Series 300 (12V) | | | | | | | |

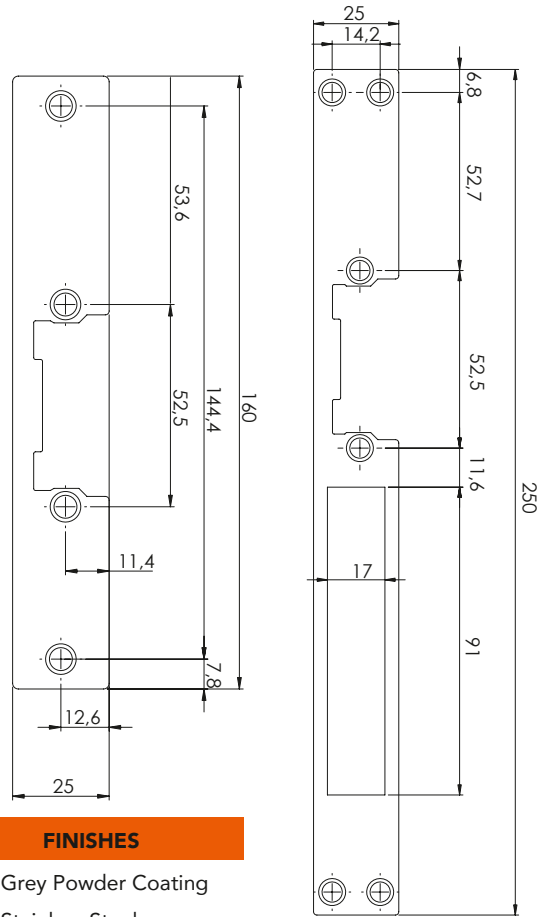
| | | | | |
|-----------------------|---|------------|--|-------------------------------------|
| POWER SUPPLIES | For a suitable performance we recommend: | AC 12V TF3 | | DC 12V |
| | | AC 24V TF8 | | DC 24V Accessories section page 106 |

MECHANISM



RECOMMENDED FACE PLATES

S (10) **M** (22)



FINISHES

- G** Grey Powder Coating
- X** Stainless Steel

You can request any other finish. Please ask for delivery time

| CODE | DESCRIPTION | STANDARD | DELAY ACTION (A) | DELAY ACTION INVISIBLE (Aa) | TIMED DELAY ACTION (At) | SLIDING DELAY ACTION (Ab) | FAIL SAFE / 500 | MONITORED (305) | UNLATCHING MECHANISM | ADJUSTABLE JAW | ELECTRICAL AVAILABLE FEATURES ** |
|------|-------------|----------|------------------|-----------------------------|-------------------------|---------------------------|-----------------|-----------------|----------------------|----------------|----------------------------------|
| 4501 | 45NF | ● | | | | | | | ● | | V AC |
| 4502 | 45NDF | ● | | | | | | ● | ● | | V AC |
| 4503 | 45AF | | ● | | | | | | ● | | V AC |
| 4504 | 45ADF | | ● | | | | | ● | ● | | V AC |
| 4505 | 45AAF | | | ● | | | | | ● | | V AC |
| 4506 | 45AADF | | | ● | | | | ● | ● | | V AC |
| 4507 | 45NF 412 | ● | | | | | | | ● | | 12V DC |
| 4508 | 45NDF 412 | ● | | | | | | ● | ● | | 12V DC |
| 4509 | 45AF 412 | | ● | | | | | | ● | | 12V DC |
| 4510 | 45ADF 412 | | ● | | | | | ● | ● | | 12V DC |
| 4513 | 45NF 512 | | | | | | ● | | ● | | 12V DC |
| 4514 | 45NDF 512 | | | | | | ● | | ● | | 12V DC |
| 4515 | 45N | ● | | | | | | | | | V AC |
| 4516 | 45ND | ● | | | | | | ● | | | V AC |
| 4517 | 45A | | ● | | | | | | ● | | V AC |
| 4518 | 45AD | | ● | | | | | ● | | | V AC |
| 4519 | 45AA | | | ● | | | | | ● | | V AC |
| 4520 | 45AAD | | | ● | | | | ● | | | V AC |
| 4521 | 45N 412 | ● | | | | | | | ● | | 12V DC |
| 4522 | 45ND 412 | ● | | | | | | ● | | | 12V DC |
| 4523 | 45A 412 | | ● | | | | | | ● | | 12V DC |
| 4524 | 45AD 412 | | ● | | | | | ● | | | 12V DC |
| 4527 | 45N 512 | | | | | | ● | | | | 12V DC |
| 4528 | 45ND 512 | | | | | | ● | ● | | | 12V DC |

** 24V version available , simply enter 24 after the CODE. Example: 4501 24
 In adjustable version, you can order radial jaw. You must write "44_" instead of "45_". Example: 4401 24
 In 44 SERIES, U2 external jaw is available. Enter "U2" after the CODE. Example: 4408 U2
 Standard coil of 17Ω, others available.

You can order this model with different lengths of wire already assembled.

CODIFICATION EXAMPLE: 4503/10G
DESCRIPTION EXAMPLE: 45 AF/SG

45 Series mechanism box with delay action and regulable external jaw, with plate 10 ("S" according to the description) painted in grey colour.

CODIFICATION EXAMPLE: 4404 U2/22X
DESCRIPTION EXAMPLE: 44 ADF U2/MX

44 Series mechanism box with delay action, UNLATCHING MECHANISM, regulable external jaw, U2 external jaw and plate 22 ("M" according to the description) stainless steel finishing

For more information about compatible faceplates, see page 56 and following

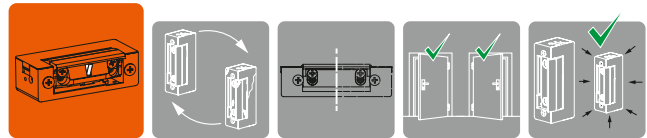
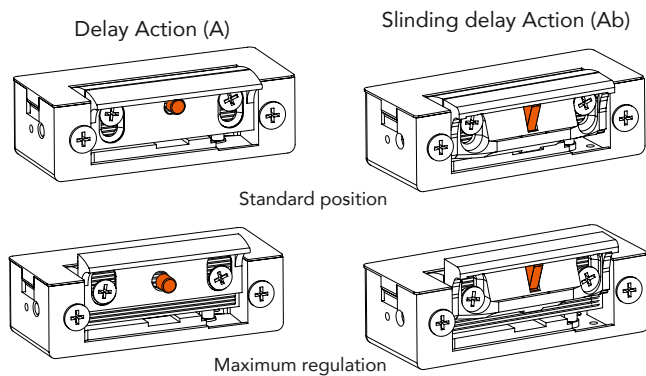
New

DORCAS STANDARD SERIES 54 SERIES

54 Series stands out by its non handed feature. Its small size (67 mm height) makes it particularly suitable for both replacement and new mounting. It has also an innovative system (Sliding delay action) which make easier the installation allowing the adjustment of the jaw and the delay action contact.



- SLIDING DELAY ACTION AVAILABLE
- REPLACEMENT
- SYMMETRICAL
- NON HANDED
- MINIMUM SIZE



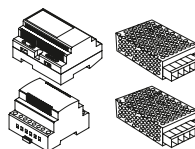
TECHNICAL CHARACTERISTICS

| | | | | | | | | |
|---------------------------------------|-----------------------|---------------------|------|--------------|---------|--------------|--------------|--------------|
| High | 67 mm | | | | | | | |
| Width | 20,5 mm | | | | | | | |
| Depth | 28 mm | | | | | | | |
| Setting the flex flap | 3 mm | | | | | | | |
| Latch depth | 5,8 mm | | | | | | | |
| Cycles tested on power electricity | 300.000 | | | | | | | |
| Holding force | 3.250 N / 330 Kg-f | | | | | | | |
| Operating temperature range | -15 °C a +40°C | | | | | | | |
| Diode or varistor | Optional | | | | | | | |
| | 8-12 V | | 24 V | 12 VDC (412) | | 24 VDC (424) | 12 VDC (512) | 24 VDC (524) |
| Coil resistance (Ω) | 8 | 17 | 58 | 30 | 45 | 132 | 60 | 230 |
| VAC power consumption (mA) | 800(8V) 1200(12V) | 370(8V) 560(12V) | 330 | | | | | |
| Consumption stabilized VDC (mA) | 1000(8V) 1500(12V) | 470(8V) 700(12V) | | 400 VDC | 260 VDC | 180 VDC | 200 VDC | 120 VDC |
| Working range kept current (V) | | | - | 11-12 | 11-12 | 23-24 | 11-12 | 23-24 |
| Maximum preload latch to open VAC (N) | 130 (12V) | - | - | - | - | - | - | - |

POWER SUPPLIES

For a suitable performance we recommend:

AC 12V TF3
AC 24V TF8

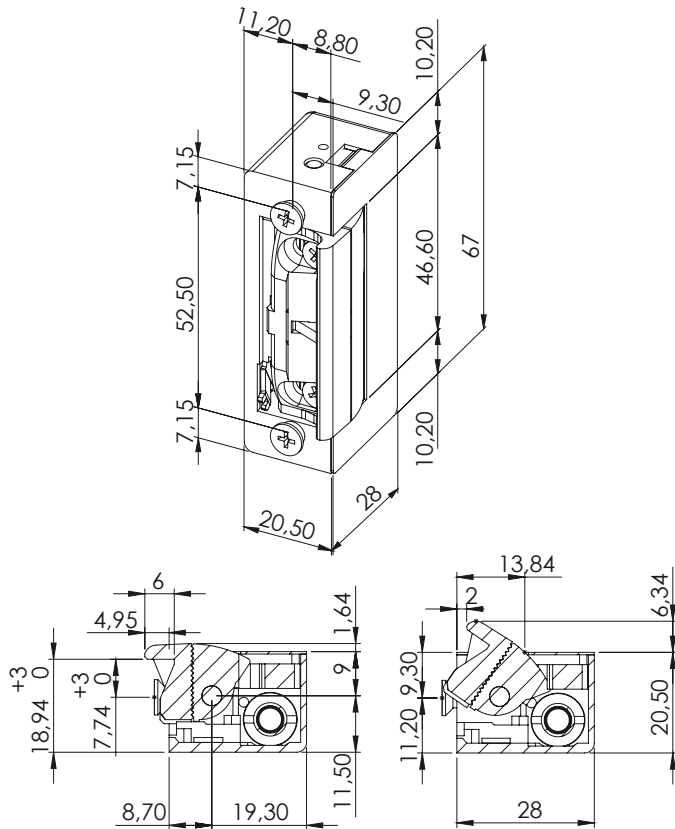


DC 12V

DC 24V Accessories section page 106

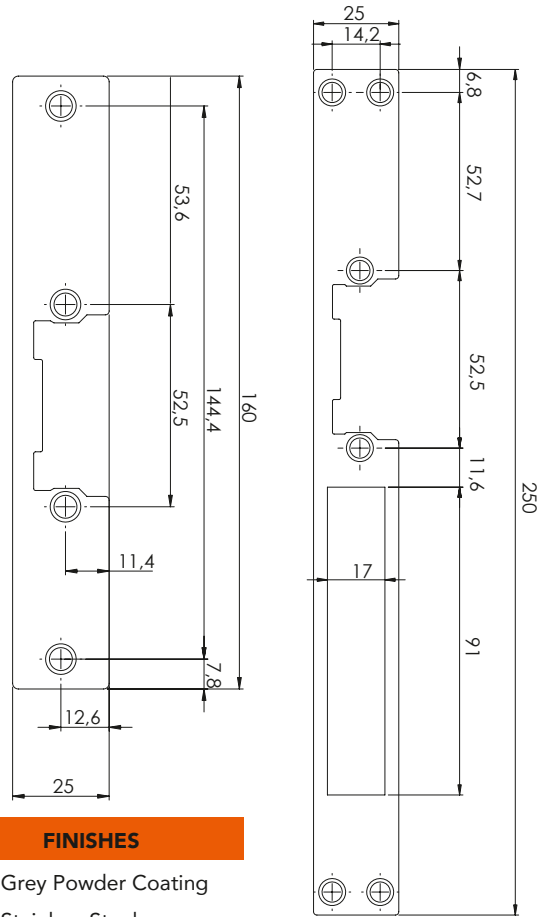
MECHANISM

RECOMMENDED FACE PLATES



S (10)

M (22)



FINISHES

- G** Grey Powder Coating
- X** Stainless Steel

You can request any other finish. Please ask for delivery time

| CODE | DESCRIPTION | STANDARD | DELAY | ACTION (A) | DELAY ACTION INVISIBLE (Aa) | TIMED DELAY ACTION (At) | SLIDING DELAY ACTION (Ab) | FAIL SAFE / 500 | MONITORED (305) | UNLATCHING MECHANISM | ADJUSTABLE JAW | ELECTRICAL AVAILABLE FEATURES ** |
|------|-------------|----------|-------|------------|-----------------------------|-------------------------|---------------------------|-----------------|-----------------|----------------------|----------------|----------------------------------|
| 5401 | 54NF | ● | | | | | | | | ● | | V AC |
| 5402 | 54NDF | ● | | | | | | | | ● | | V AC |
| 5403 | 54AF | | ● | | | | | | | ● | | V AC |
| 5404 | 54ADF | | ● | | | | | | | ● | | V AC |
| 5405 | 54AAF | | | ● | | | | | | ● | | V AC |
| 5406 | 54AADF | | | ● | | | | | | ● | | V AC |
| 5438 | 54ABF | | | | | ● | | | | ● | | V AC |
| 5439 | 54ABDF | | | | | ● | | | | ● | | V AC |
| 5407 | 54NF 412 | ● | | | | | | | | ● | | 12V DC |
| 5408 | 54NDF 412 | ● | | | | | | | | ● | | 12V DC |
| 5409 | 54AF 412 | | ● | | | | | | | ● | | 12V DC |
| 5410 | 54ADF 412 | | ● | | | | | | | ● | | 12V DC |
| 5440 | 54ABF 412 | | | | | ● | | | | ● | | 12V DC |
| 5441 | 54ABDF 412 | | | | | ● | | | | ● | | 12V DC |
| 5413 | 54NF 512 | | | | | | ● | | | ● | | 12V DC |

** 24V version available , simply enter 24 after the CODE. Example: 5401 24
Standard coil of 17Ω, others available..

CODIFICATION EXAMPLE: 5402/22G
DESCRIPTION EXAMPLE: 54 NDF/MG

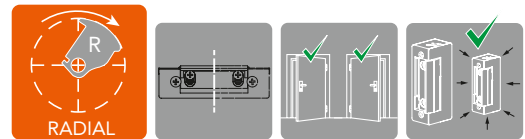
54 Series mechanism box with normal function, UNLATCHING MECHANISM, regulable external jaw and plate 22 ("M" according to the description) painted in grey colour

For more information about compatible faceplates, see page 56 and following

DORCAS STANDARD SERIES 41 SERIES

41 series are specific radial electric door release for all kinds of profiles like aluminum and PVC doors thanks to its small and slim body mechanism (16.4 mm wide)

- RADIAL JAW
- SYMMETRICAL
- NON HANDED
- MINIMUM SIZE



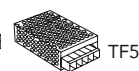
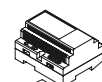
TECHNICAL CHARACTERISTICS

| | | | | | | | | |
|---------------------------------------|-----------------------|---------------------|------|--------------|---------|--------------|--------------|--------------|
| High | 67 mm | | | | | | | |
| Width | 16,4 mm | | | | | | | |
| Depth | 28 mm | | | | | | | |
| Setting the flex flap | +1-1 mm | | | | | | | |
| Latch depth | 6 mm | | | | | | | |
| Cycles tested on power electricity | 300.000 | | | | | | | |
| Holding force | 3.000 N / 310 Kg-f | | | | | | | |
| Operating temperature range | -15 °C a +40°C | | | | | | | |
| Diode or varistor | Optional | | | | | | | |
| | 8-12 V | | 24 V | 12 VDC (412) | | 24 VDC (424) | 12 VDC (512) | 24 VDC (524) |
| Coil resistance (Ω) | 8 | 17 | 58 | 30 | 45 | 132 | 60 | 230 |
| VAC power consumption (mA) | 800(8V) 1200(12V) | 370(8V) 560(12V) | 330 | | | | | |
| Consumption stabilized VDC (mA) | 1000(8V) 1500(12V) | 470(8V) 700(12V) | | 400 VDC | 260 VDC | 180 VDC | 200 VDC | 120 VDC |
| Working range kept current (V) | | | - | 11-12 | 11-12 | 23-24 | 11-12 | 23-24 |
| Maximum preload latch to open VAC (N) | 400 (12V) | - | - | - | - | - | - | - |

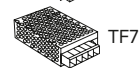
POWER SUPPLIES

For a suitable performance we recommend:

AC 12V TF3



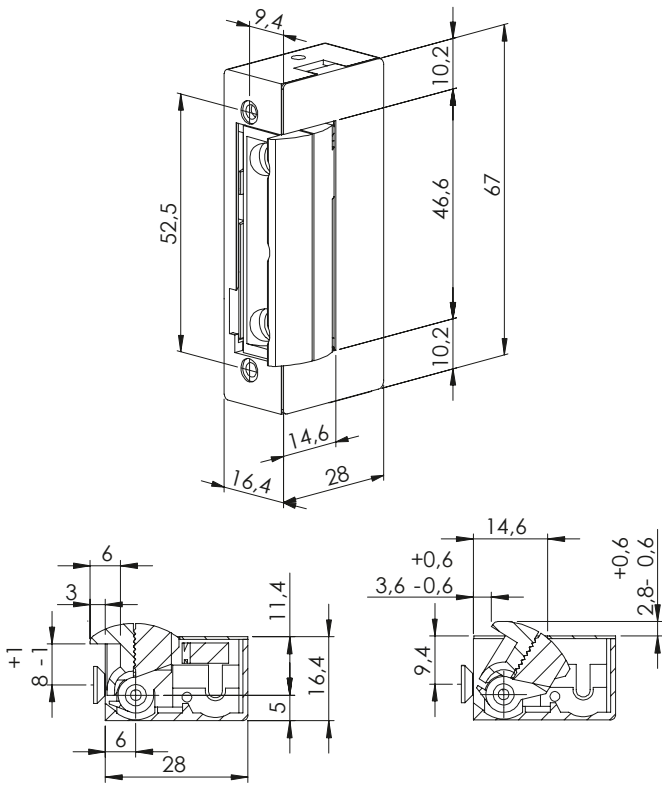
AC 24V TF8



DC 12V

DC 24V Accessories section page 106

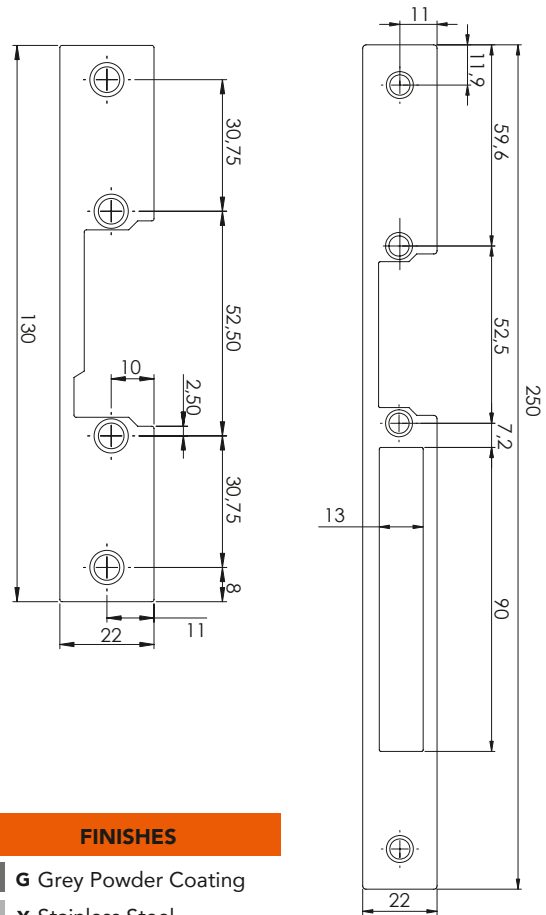
MECHANISM



RECOMMENDED FACE PLATES

P22mm (13)

L22mm (24)



FINISHES

- G** Grey Powder Coating
- X** Stainless Steel

You can request any other finish. Please ask for delivery time

| CODE | DESCRIPTION | STANDARD | DELAY | ACTION (A) | DELAY ACTION INVISIBLE (Aa) | TIMED DELAY ACTION (At) | SLIDING DELAY ACTION (Ab) | FAIL SAFE / 500 | MONITORED (305) | UNLATCHING MECHANISM | ADJUSTABLE JAW | ELECTRICAL AVAILABLE FEATURES ** |
|------|-------------|----------|-------|------------|-----------------------------|-------------------------|---------------------------|-----------------|-----------------|----------------------|----------------|----------------------------------|
| 4101 | 41NF | ● | | | | | | | | ● | | V AC |
| 4102 | 41NDF | ● | | | | | | | | ● | | V AC |
| 4103 | 41AF | | ● | | | | | | | ● | | V AC |
| 4104 | 41ADF | | ● | | | | | | | ● | | V AC |
| 4105 | 41AAF | | | ● | | | | | | ● | | V AC |
| 4106 | 41AADF | | | ● | | | | | | ● | | V AC |
| 4107 | 41NF 412 | ● | | | | | | | | ● | | 12V DC |
| 4108 | 41NDF 412 | ● | | | | | | | | ● | | 12V DC |
| 4109 | 41AF 412 | | ● | | | | | | | ● | | 12V DC |
| 4110 | 41ADF 412 | | ● | | | | | | | ● | | 12V DC |
| 4113 | 41NF 512 | | | | | | ● | | | ● | | 12V DC |

** 24V version available , simply enter 24 after the CODE. Example: 4109 24 Standard coil of 17Ω, others available.

CODIFICATION EXAMPLE: 4105/13X
DESCRIPTION EXAMPLE: 41 AAF/P 22X

41 Series mechanism box with built in delay action, regulable external jaw and plate 13 ("P 22" according to the description) stainless steel finishing

For more information about compatible faceplates, see page 56 and following

DORCAS STANDARD SERIES 42/43 SERIES

42 Series is a handed electric door release with a slim body of 16,5 mm wide.

43 Series is the same as 42 Series but with radial jaw.



- SLIM BODY
- DIFFERENT SPRING JAW OPENING FORCE AVAILABLE
- RADIAL JAW
- U2 ADJUSTABLE JAW AVAILABLE

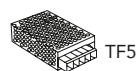


| TECHNICAL CHARACTERISTICS | 42 series | 43 series | |
|---------------------------------------|--|--------------------|--------------|
| High | 90 mm | 90 mm | |
| Width | 16,5 mm | 16,5 mm | |
| Depth | 28 mm | 28 mm | |
| Setting the flex flap | 4 mm | +1-1 mm | |
| Latch depth | 5,8 mm | 6,1 mm | |
| Cycles tested on power electricity | 300.000 | 300.000 | |
| Holding force | 2.450 N / 250 Kg-f | 2.750 N / 280 Kg-f | |
| Operating temperature range | -15 °C a +40°C | -15 °C a +40°C | |
| Diode or varistor | Optional | Optional | |
| | 8-12 V | 12 VDC (412) | 24 VDC (424) |
| Coil resistance (Ω) | 8 | 68 | 230 |
| VAC power consumption (mA) | 800(8V) 1200(12V) | | |
| Consumption stabilized VDC (mA) | 1000(8V) 1.500(12V) | 180 VDC | 120 VDC |
| Working range kept current (V) | | 11-12 | 23-24 |
| Maximum preload latch to open VAC (N) | 42 Series 250 (12V) 43 Series 500 (12V) | - | - |

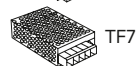
POWER SUPPLIES

For a suitable performance we recommend:

AC 12V TF3



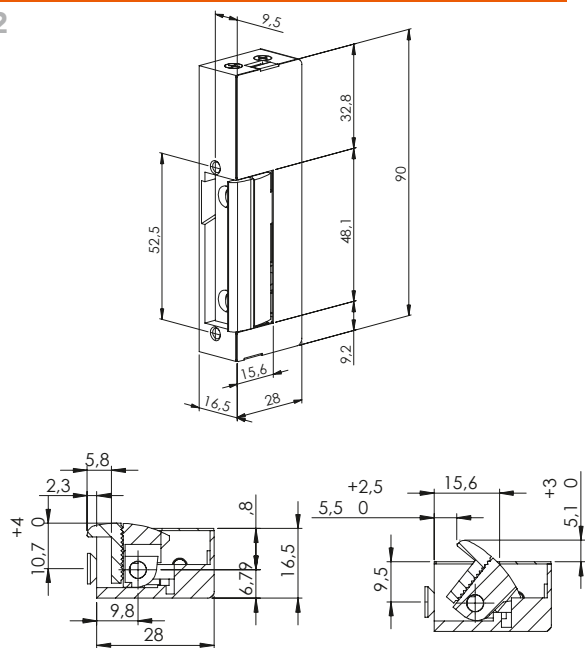
DC 12V



DC 24V Accessories section page 106

MECHANISM

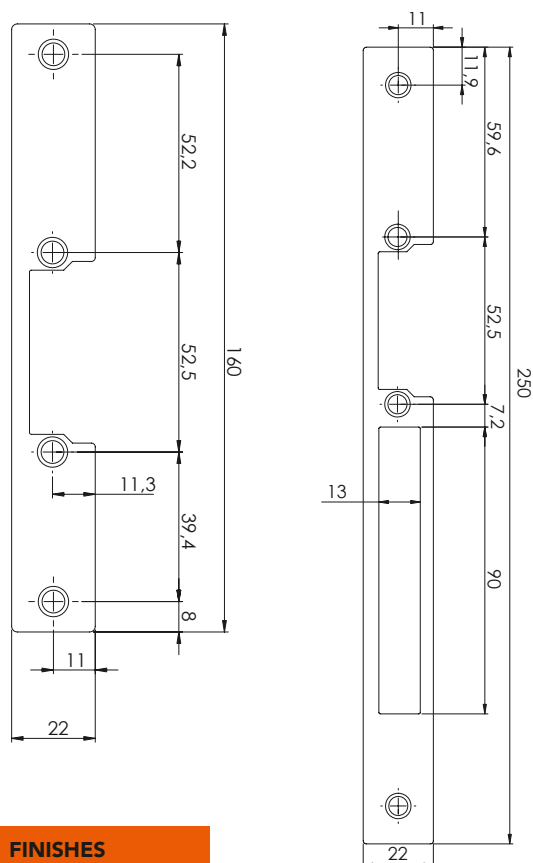
42



RECOMMENDED FACE PLATES

S22mm (11)

L22mm (24)



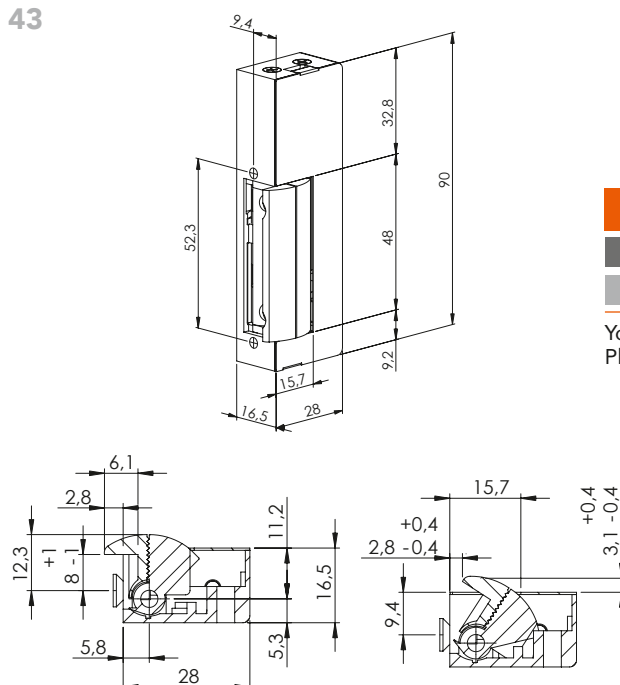
FINISHES

G Grey Powder Coating

X Stainless Steel

You can request any other finish.
Please ask for delivery time

43



| CODE | DESCRIPTION | STANDARD | DELAY ACTION (A) | DELAY ACTION INVISIBLE (Aa) | TIMED DELAY ACTION (At) | SLIDING DELAY ACTION (Ab) | FAIL SAFE / 500 | MONITORED (305) | UNLATCHING MECHANISM | ADJUSTABLE JAW | ELECTRICAL AVAILABLE FEATURES ** |
|--------|---------------------|----------|------------------|-----------------------------|-------------------------|---------------------------|-----------------|-----------------|----------------------|----------------|----------------------------------|
| 4201 D | 42NF DIN right | ● | | | | | | | ● | | V AC |
| 4201 I | 42NF DIN left | ● | | | | | | | ● | | V AC |
| 4202 D | 42NDF DIN right | ● | | | | | | ● | ● | | V AC |
| 4202 I | 42NDF DIN left | ● | | | | | | ● | ● | | V AC |
| 4205 D | 42AAF DIN right | | ● | | | | | | ● | | V AC |
| 4205 I | 42AAF DIN left | | ● | | | | | | ● | | V AC |
| 4206 D | 42AADF DIN right | | ● | | | | | ● | ● | | V AC |
| 4206 I | 42AADF DIN left | | ● | | | | | ● | ● | | V AC |
| 4207 D | 42NF 412 DIN right | ● | | | | | | | ● | | 12V DC |
| 4207 I | 42NF 412 DIN left | ● | | | | | | | ● | | 12V DC |
| 4208 D | 42NDF 412 DIN right | ● | | | | | | ● | ● | | 12V DC |
| 4208 I | 42NDF 412 DIN left | ● | | | | | | ● | ● | | 12V DC |

** 24V version available , simply enter 24 after the CODE. Example: 4207D 24
Radial jaw is available. Enter 43_ instead 42_ . Example: 4307D 24
In 43 SERIES, U2 external jaw is available. Enter "U2" after the CODE. Example: 4308D U2
Standard coil of 8Ω, others available.

CODIFICATION EXAMPLE: 4201D/13G
DESCRIPTION EXAMPLE: 42 NF D/P 22G

42 Series mechanism box with normal function, regulable external jaw and plate 11 ("S22" according to the description) painted in grey colour

CODIFICATION EXAMPLE: 4305D 24/24X
DESCRIPTION EXAMPLE: 43 AAF 24 D/L 22X

43 Series mechanism box with built in delay action, regulable external jaw, 24V function and plate 24 ("L 22" according to the description) stainless steel finishing

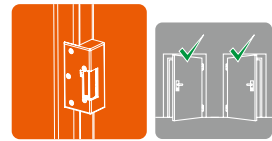
For more information about compatible faceplates, see page 56 and following

DORCAS STANDARD SERIES

20/21/27 SERIES

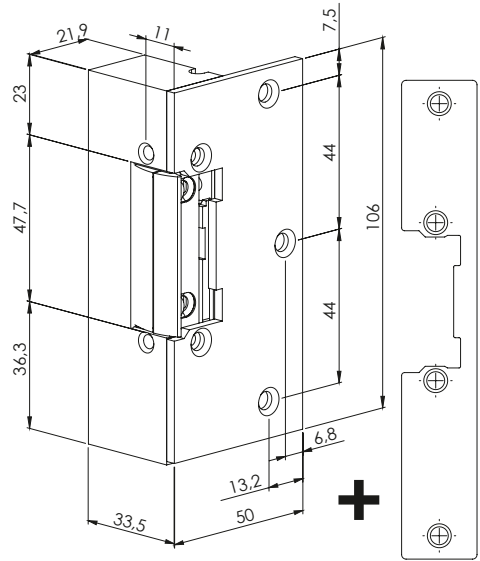
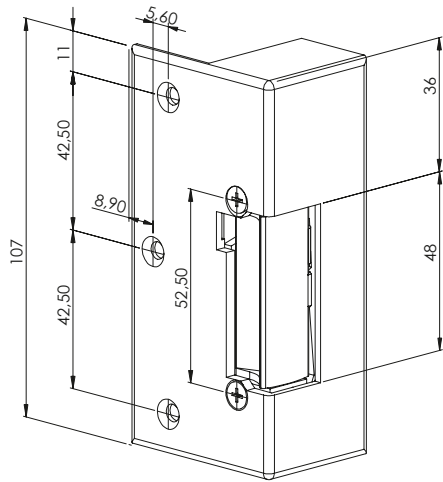
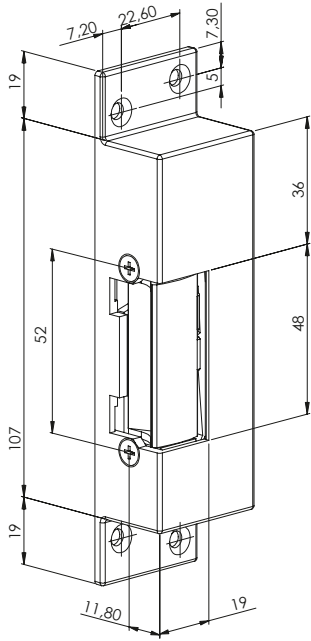
Surface (20 Series) and rim (21 Series) electric door release specially designed for nightjaws. 27 Series with a mortice plate "S" allows rim and mortice installation in one reference only. Blister packaging available.

- RIM MOUNTING
- NON HANDED



| TECHNICAL CHARACTERISTICS | 20 series | | 21 series | | 27 series | | | |
|---------------------------------------|------------------------|---------------------|---------------------|--------------|--------------------|--------------|--------------|---------|
| | 8-12 V | | 24 V | 12 VDC (412) | 24 VDC (424) | 12 VDC (512) | 24 VDC (524) | |
| High | 145 mm | | 107 mm | | 106 mm | | | |
| Width | 37 mm | | 52 mm | | 50 mm | | | |
| Depth | 25 mm | | 25 mm | | 33,5 mm | | | |
| Setting the flex flap | 4 mm | | 4 mm | | 3 mm | | | |
| Latch depth | 9,48 mm | | 9,48 mm | | 5,8 | | | |
| Cycles tested on power electricity | 300.000 | | 300.000 | | 300.000 | | | |
| Holding force | 2.950 N / 300 kg-f | | 2.950 N / 300 kg-f | | 2.950 N / 300 kg-f | | | |
| Operating temperature range | -15 °C a +40°C | | -15 °C a +40°C | | -15 °C a +40°C | | | |
| Diode or varistor | Optional | | Optional | | Optional | | | |
| Coil resistance (Ω) | 8 | 17 | 30 | 58 | 68 | 132 | 60 | 230 |
| VAC power consumption (mA) | 800(8V) 1200(12V) | 370(8V) 560(12V) | 260(8V) 400(12V) | | | | | |
| Consumption stabilized VDC (mA) | 1000(8V) 1500(12V) | 470(8V) 700(12V) | | 330 | 260 VDC | 180 VDC | 200 VDC | 120 VDC |
| Working range kept current (V) | | | - | 11-12 | 11-12 | 23-24 | 11-12 | 23-24 |
| Maximum preload latch to open VAC (N) | 20 Series 100 (12V) | - | - | - | - | - | - | - |
| | 21 Series 100 (12V) | | | | | | | |
| | 27 Series 130 (12V) | | | | | | | |

| | | | | |
|-----------------------|---|------------|------------|-------------------------------------|
| POWER SUPPLIES | For a suitable performance we recommend: | AC 12V TF3 | AC 12V TF5 | DC 12V |
| | | AC 24V TF8 | AC 24V TF7 | DC 24V Accessories section page 106 |



FINISHES

- G** Grey Powder Coating (206)(207)(203)
- C** Chrome plated (201)(205)
- O** Brass Golded (202)(204)

| CODE | DESCRIPTION | STANDARD | DELAY | ACTION (A) | DELAY ACTION | INVISIBLE (Aa) | TIMED DELAY | ACTION (At) | SLIDING DELAY | ACTION (Ab) | FAIL SAFE / 500 | MONITORED (305) | UNLATCHING MECHANISM | ADJUSTABLE JAW | ELECTRICAL AVAILABLE | FEATURES ** |
|------|-------------------------------|----------|-------|------------|--------------|----------------|-------------|-------------|---------------|-------------|-----------------|-----------------|----------------------|----------------|----------------------|-------------|
| 2013 | N206 512-N201 512-N202 512 | | | | | | | | | | | | | | | 12 VDC |
| 2015 | N206-N201-N202 | | ● | | | | | | | | | | | | | V AC |
| 2016 | ND206-ND201-ND202 | | ● | | | | | | | | | | | | | V AC |
| 2017 | A206-A201-A202 | | | ● | | | | | | | | | | | | V AC |
| 2018 | AD206-AD201-AD202 | | | ● | | | | | | | | | | | | V AC |
| 2021 | N206 412-N201 412-N202 412 | | ● | | | | | | | | | | | | | 12V DC |
| 2022 | ND206 412-ND201 412-ND202 412 | | ● | | | | | | | | | | | | | 12V DC |
| 2023 | A206 412-A201 412-A202 412 | | | ● | | | | | | | | | | | | 12V DC |
| 2024 | AD206 412-AD201 412-AD202 412 | | | ● | | | | | | | | | | | | 12V DC |
| 2113 | N207 512-N205 512-N204 512 | | | | | | | | | ● | | | | | | 12V DC |
| 2115 | N207-N205-N204 | | ● | | | | | | | | | | | | | V AC |
| 2116 | ND207-ND205-ND204 | | ● | | | | | | | | | | | | | V AC |
| 2117 | A207-A205-A204 | | | ● | | | | | | | | | | | | V AC |
| 2118 | AD207-AD205-AD204 | | | ● | | | | | | | | | | | | V AC |
| 2121 | N207 412-N205 412-N204 412 | | ● | | | | | | | | | | | | | 12V DC |
| 2122 | ND207 412-ND205 412-ND204 412 | | ● | | | | | | | | | | | | | 12V DC |
| 2123 | A207 412-A205 412-A204 412 | | | ● | | | | | | | | | | | | 12V DC |
| 2124 | AD207 412-AD205 412-AD204 412 | | | ● | | | | | | | | | | | | 12V DC |
| 2713 | N203 512 | | | | | | | | | ● | | | | | | 12V DC |
| 2715 | N203 | | ● | | | | | | | | | | | | | V AC |
| 2716 | ND203 | | ● | | | | | | | | | | | | | V AC |
| 2717 | A203 | | | ● | | | | | | | | | | | | V AC |
| 2718 | AD203 | | | ● | | | | | | | | | | | | V AC |
| 2721 | N203 412 | | ● | | | | | | | | | | | | | 12V DC |
| 2722 | ND203 412 | | ● | | | | | | | | | | | | | 12V DC |
| 2723 | A203 412 | | | ● | | | | | | | | | | | | 12V DC |
| 2724 | AD203 412 | | | ● | | | | | | | | | | | | 12V DC |

** 24V version available , simply enter 24 after the CODE. Example: 2022 24

Cover included

Standard coil of 8Ω, others available.

Every model available with adjustable external jaw. Write "F" after the description

CODIFICATION EXAMPLE: 2021/O
DESCRIPTION EXAMPLE: 202 N 412/O

20 Series mechanism box with normal function with a brass plated finishing cover

CODIFICATION EXAMPLE: 2116/C
DESCRIPTION EXAMPLE: 205 A/C

21 Series mechanism box with normal function with unlatching mechanism and chrome plated finishing cover

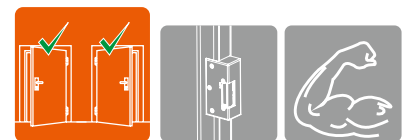
For more information about compatible faceplates, see page 56 and following

DORCAS STANDARD SERIES

22/23 SERIES

Non handed rim electric releases for installation with horizontal deadbolt lock (22 Series) or vertical deadbolt lock (23 Series). For locks thicker than 22 mm please see references with letter "B"

- NON HANDED
- RIM MOUNTING
- STRONG

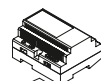


| TECHNICAL CHARACTERISTICS | 22 series | | | 23 series | | | |
|---------------------------------------|-----------------------|---------------------|------|-------------------|--------------|--------------|--------------|
| High | 96 mm | | | 122 mm | | | |
| Width | 33 mm | | | 54 mm | | | |
| Depth | 54 mm | | | 54 mm | | | |
| Setting the flex flap | - | | | - | | | |
| Latch depth | 7,7 mm | | | 5,6 mm | | | |
| Cycles tested on power electricity | 200.000 | | | 200.000 | | | |
| Holding force | 1.960 N/ 200 Kg-f | | | 1.960 N/ 200 Kg-f | | | |
| Operating temperature range | -15 °C a +40°C | | | -15 °C a +40°C | | | |
| Diode or varistor | Optional | | | Optional | | | |
| | 8-12 V | | 24 V | 12 VDC (412) | 24 VDC (424) | 12 VDC (512) | 24 VDC (524) |
| Coil resistance (Ω) | 8 | 30 | 58 | 68 | 132 | 60 | 230 |
| VAC power consumption (mA) | 800(8V) 1200(12V) | | 330 | | | | |
| Consumption stabilized VDC (mA) | 1000(8V) 1500(12V) | 260(8V) 400(12V) | | 180 VDC | 180 VDC | 200 VDC | 120 VDC |
| Working range kept current (V) | | - | - | 11-12 | 23-24 | 11-12 | 23-24 |
| Maximum preload latch to open VAC (N) | - | - | - | - | - | - | - |

POWER SUPPLIES

For a suitable performance we recommend:

AC 12V TF3



DC 12V

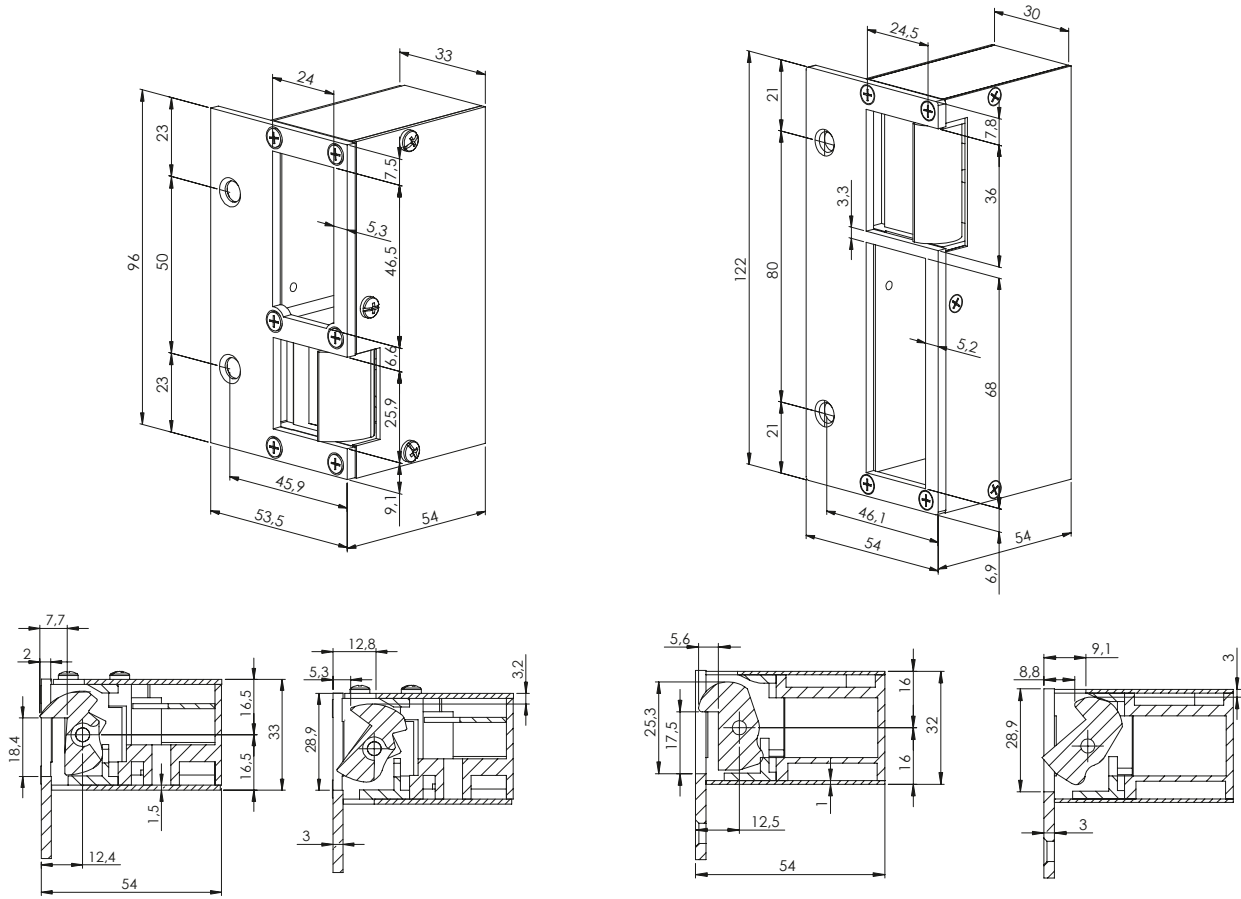
AC 24V TF8



DC 24V Accessories section page 106

22

23



FINISHES

G Grey Powder Coating

| CODE | DESCRIPTION | STANDARD | DELAY ACTION (A) | DELAY ACTION INVISIBLE (Aa) | TIMED DELAY ACTION (At) | SLIDING DELAY ACTION (Ab) | FAIL SAFE / 500 | MONITORED (305) | UNLATCHING MECHANISM | ADJUSTABLE JAW | ELECTRICAL AVAILABLE FEATURES ** |
|------|--------------|----------|------------------|-----------------------------|-------------------------|---------------------------|-----------------|-----------------|----------------------|----------------|----------------------------------|
| 2215 | 22HN | ● | | | | | | | | | V AC |
| 2242 | 22HBN*** | ● | | | | | | | | | V AC |
| 2217 | 22HAA | | ● | | | | | | | | V AC |
| 2243 | 22HBAA*** | | ● | | | | | | | | V AC |
| 2221 | 22HN 412 | ● | | | | | | | | | 12V DC |
| 2244 | 22HBN 412*** | ● | | | | | | | | | 12V DC |
| 2227 | 22HN 512 | | | | | ● | | | | | 12V DC |
| 2246 | 22HBN 512*** | | | | | ● | | | | | 12V DC |
| 2315 | 23VN | ● | | | | | | | | | V AC |
| 2342 | 23VBN*** | ● | | | | | | | | | V AC |
| 2321 | 23VN 412 | ● | | | | | | | | | 12V DC |
| 2344 | 23VBN 412*** | ● | | | | | | | | | 12V DC |
| 2327 | 23VN 512 | | | | | ● | | | | | 12V DC |
| 2346 | 23VBN 512*** | | | | | ● | | | | | 12V DC |

** 24V version available , simply enter 24 after the CODE. Example: 2215 24
 *** References HBN, HBAA, HBN 412, HBN 512, VBN, VBAA, VBN 412 y VBN 512 are suitable for less than 22mm thickness locks. Standard coil of 8Ω, others available.

CODIFICATION EXAMPLE: 2217/G
DESCRIPTION EXAMPLE: HAA/G

22 Rim installation electric release for horizontal (type 125) locks, built in delay action and grey colour cover

CODIFICATION EXAMPLE: 2342/G
DESCRIPTION EXAMPLE: VBN/G

23 Rim installation electric release for vertical (type 58) locks of thickness above 22 mm with normal function and grey colour cover

For more information about compatible faceplates, see page 56 and following

DORCAS STANDARD SERIES 66 SERIES

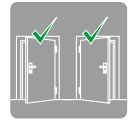
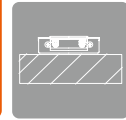
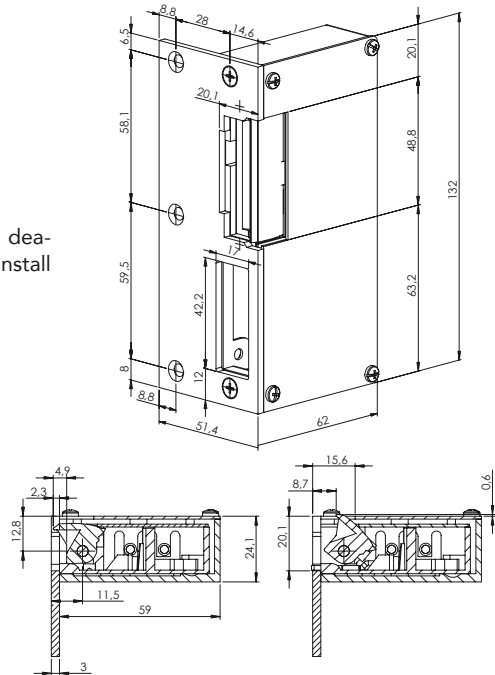


66 Series is suitable for mostly all kind of deadbolt locks in the market. It is very easy to install thanks to its reversibility.

- UNIVERSAL
- RIM MOUNTING
- NON HANDED

FINISHES

- G** Grey Powder Coating
- N** Black Powder Coating



TECHNICAL CHARACTERISTICS

| | | | | | | | | |
|---------------------------------------|-----------------------|---------------------|-----|------|--------------|--------------|--------------|--------------|
| High | 64 mm | | | | | | | |
| Width | 18,2 mm | | | | | | | |
| Depth | 55 mm | | | | | | | |
| Setting the flex flap | - | | | | | | | |
| Latch depth | 10 mm | | | | | | | |
| Cycles tested on power electricity | 250.000 | | | | | | | |
| Holding force | 2.950 N/ 300 Kg-f | | | | | | | |
| Operating temperature range | -15 °C a +40°C | | | | | | | |
| Diode or varistor | Optional | | | | | | | |
| | 8-12 V | | | 24 V | 12 VDC (412) | 24 VDC (424) | 12 VDC (512) | 24 VDC (524) |
| Coil resistance (Ω) | 8 | 17 | 30 | 58 | 68 | 132 | 70 | 230 |
| VAC power consumption (mA) | 800(8V) 1200(12V) | 370(8V) 560(12V) | | 330 | | | | |
| Consumption stabilized VDC (mA) | 1000(8V) 1500(12V) | 470(8V) 700(12V) | 400 | | 180 VDC | 180 VDC | 150 VDC | 120 VDC |
| Working range kept current (V) | | | - | - | 11-12 | 23-24 | 11-12 | 23-24 |
| Maximum preload latch to open VAC (N) | 100(12V) | - | - | - | - | - | - | - |

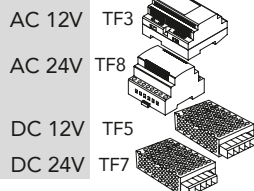
| CODE | DESCRIPTION | STANDARD | DELAY | ACTION (A) | DELAY ACTION INVISIBLE (Aa) | TIMED DELAY ACTION (At) | SLIDING DELAY ACTION (Ab) | FAIL SAFE / 500 | MONITORED (305) | UNLATCHING MECHANISM | ADJUSTABLE JAW | ELECTRICAL AVAILABLE FEATURES ** |
|------|----------------|----------|-------|------------|-----------------------------|-------------------------|---------------------------|-----------------|-----------------|----------------------|----------------|----------------------------------|
| 6615 | 60021 (N) | ● | | | | | | | | | | V AC |
| 6616 | 60022 (ND) | ● | | | | | | | | ● | | V AC |
| 6617 | 60023 (A) | | ● | | | | | | | | | V AC |
| 6618 | 60024 (AD) | | ● | | | | | | | | | V AC |
| 6621 | 60021 (N 412) | ● | | | | | | | | | | 12V DC |
| 6622 | 60022 (ND 412) | ● | | | | | | | | ● | | 12V DC |
| 6623 | 60023 (A 412) | | ● | | | | | | | | | 12V DC |
| 6624 | 60024 (AD 412) | | ● | | | | | | | | | 12V DC |
| 6627 | 60021 (N 512) | | | | | | | ● | | | | 12V DC |

** 24V version available , simply enter 24 after the CODE. Example: 6627 24 Standard coil of 8Ω, others available.

POWER SUPPLIES

Accessories section page 106

For a suitable performance we recommend:



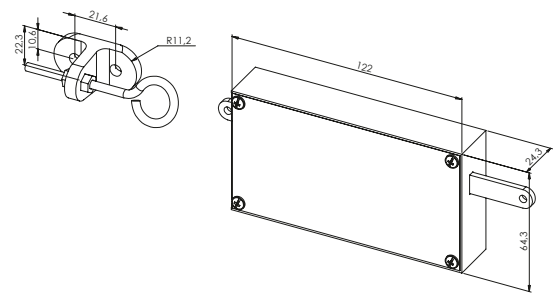
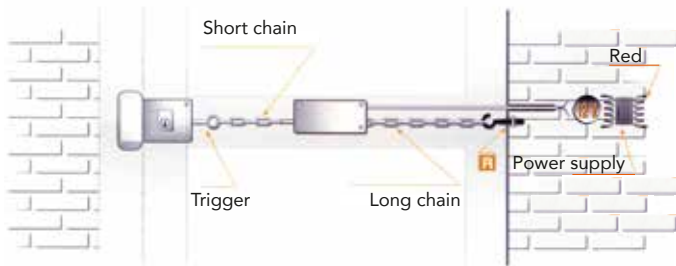
CODIFICATION EXAMPLE: 6622/N
EJ. DESCRIPTION: 60022 (ND 412)/N

66 Mechanism box with fail secure function, unlatching mechanism, painted in black colour

DORCAS STANDARD SERIES

80SERIES

80 series are electric release with chain. It is the best and cheapest way to make the opening of a door automatically where a knob lock is fitted.



FINISHES

G Grey Powder Coating

TECHNICAL CHARACTERISTICS

| | |
|---------------------------------------|----------------------|
| High | 64,3 mm |
| Width | 122 mm |
| Depth | 24,3 mm |
| Setting the flex flap | - |
| Latch depth | - |
| Cycles tested on power electricity | 250.000 |
| Holding force | - |
| Operating temperature range | -15 °C a +40°C |
| Diode or varistor | - |
| | 8-12 V |
| Coil resistance (Ω) | 8 |
| VAC power consumption (mA) | 800(8V) 1200(12V) |
| Consumption stabilized VDC (mA) | |
| Working range kept current (V) | |
| Maximum preload latch to open VAC (N) | - |

| CODE | DESCRIPTION | STANDARD | DELAY | ACTION (A) | DELAY ACTION | INVISIBLE (Aa) | TIMED DELAY | ACTION (A+) | SLIDING DELAY | ACTION (Ab) | FAIL SAFE / 500 | MONITORED (305) | UNLATCHING MECHANISM | ADJUSTABLE JAW | ELECTRICAL AVAILABLE | FEATURES ** |
|------|-------------|----------|-------|------------|--------------|----------------|-------------|-------------|---------------|-------------|-----------------|-----------------|----------------------|----------------|----------------------|-------------|
| 8017 | N80 | | ● | | | | | | | | | | | | | V AC |

** 24V version available , simply enter 24 after the CODE. Example: 8015 24
Standard coil of 8Ω, others available.

POWER SUPPLIES

Accessories section page 106

For a suitable performance we recommend:

AC 12V

TF3



CODIFICATION EXAMPLE: 8017/G
DESCRIPTION EXAMPLE: N 80

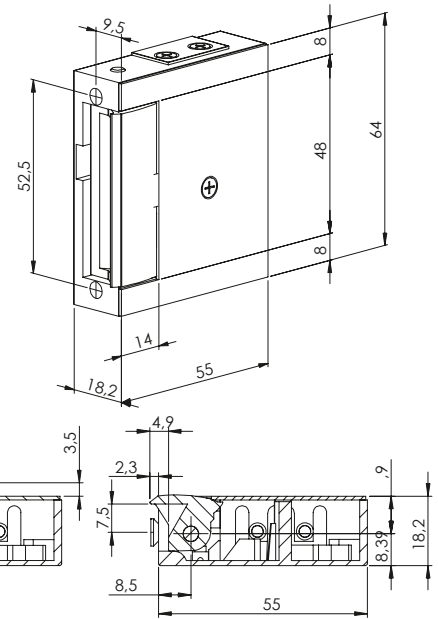
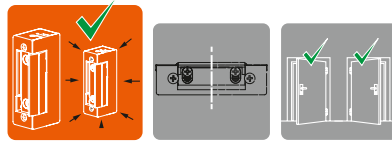
Chain electric release in grey colour

DORCAS STANDARD SERIES 34 SERIES



Non handed 34 Series with slim and small body mechanism.

- MINIMUM SIZE
- SYMMETRICAL
- NON HANDED



TECHNICAL CHARACTERISTICS

| | | | | | | | | |
|---------------------------------------|-----------------------|---------------------|-----|------|--------------|--------------|--------------|--------------|
| High | 64 mm | | | | | | | |
| Width | 18,2 mm | | | | | | | |
| Depth | 55 mm | | | | | | | |
| Setting the flex flap | - | | | | | | | |
| Latch depth | 10 mm | | | | | | | |
| Cycles tested on power electricity | 300.000 | | | | | | | |
| Holding force | 2.950 N/ 300 Kg-f | | | | | | | |
| Operating temperature range | -15 °C a +40°C | | | | | | | |
| Diode or varistor | Optional | | | | | | | |
| | 8-12 V | | | 24 V | 12 VDC (412) | 24 VDC (424) | 12 VDC (512) | 24 VDC (524) |
| Coil resistance (Ω) | 8 | 17 | 30 | 58 | 68 | 132 | 70 | 230 |
| VAC power consumption (mA) | 800(8V) 1200(12V) | 370(8V) 560(12V) | | 330 | | | | |
| Consumption stabilized VDC (mA) | 1000(8V) 1500(12V) | 470(8V) 700(12V) | 400 | | 180 VDC | 180 VDC | 150 VDC | 120 VDC |
| Working range kept current (V) | | | - | - | 11-12 | 23-24 | 11-12 | 23-24 |
| Maximum preload latch to open VAC (N) | 100(12V) | - | - | - | - | - | - | - |

| CODE | DESCRIPTION | STANDARD | DELAY | ACTION (A) | DELAY ACTION INVISIBLE (Aa) | TIMED DELAY ACTION (At) | SLIDING DELAY ACTION (Ab) | FAIL SAFE / 500 | MONITORED (305) | UNLATCHING MECHANISM | ADJUSTABLE JAW | ELECTRICAL AVAILABLE FEATURES ** |
|------|-------------|----------|-------|------------|-----------------------------|-------------------------|---------------------------|-----------------|-----------------|----------------------|----------------|----------------------------------|
| 3415 | 66 N | ● | | | | | | | | | | V AC |
| 3416 | 66 ND | ● | | | | | | | | ● | | V AC |
| 3417 | 66 A | | ● | | | | | | | | | V AC |
| 3418 | 66 AD | | ● | | | | | | | | | V AC |
| 3421 | 66 N 412 | ● | | | | | | | | | | 12V DC |
| 3422 | 66 ND 412 | ● | | | | | | | | | | 12V DC |
| 3423 | 66 A 412 | | ● | | | | | | | | | 12V DC |
| 3424 | 66 AD 412 | | ● | | | | | | | | | 12V DC |
| 3427 | 66 N 512 | | | | | | | ● | | ● | | 12V DC |

** 24V version available , simply enter 24 after the CODE. Example: 3421 24 Standard coil of 8Ω, others available.

POWER SUPPLIES
Accessories section page 106

For a suitable performance we recommend:

- AC 12V TF3
- AC 24V TF8
- DC 12V TF5
- DC 24V TF7

CODIFICATION EXAMPLE: 3415/22X
DESCRIPTION EXAMPLE: 66 N/MX

34 Series mechanism box with normal function and plate 22 ("M" according to description) stainless steel finishing

ELECTRIC STRIKES
PLATES
ELECTRIC LOCKS
SECURITY CYLINDER SHIELDS
ELECTROMAGNETIC LOCKS
ACCESS CONTROLS
DOOR CLOSER
ACCESSORIES

New

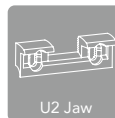
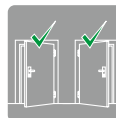
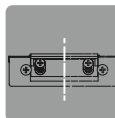
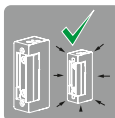
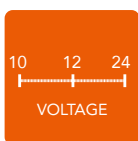
DORCAS SPECIAL SERIES 99 SERIES

MULTIVOLTAGE

99 Series and its versions has been made with the latest technology. It allows an easy installation for all kind of door profiles thanks to its reduced size (25,5 mm depth) and it's opening voltage of 10-24 V.

HI-TECH

- MULTIVOLTAGE
- 25,5MM DEPTH
- VAC/VDC
- MINIMUM SIZE
- RADIAL JAW
- SYMMETRICAL
- NON HANDED
- UNE EN 14846 CERTIFICATION
- U2 ADJUSTABLE JAW AVAILABLE



TECHNICAL CHARACTERISTICS

| | | | | | | | |
|---------------------------------------|----------------------------------|----------------------|---------------------|------|--------------|--------------|--------------|
| High | 66 mm | | | | | | |
| Width | 16 mm | | | | | | |
| Depth | 25,5 mm | | | | | | |
| Setting the flex flap | +2-1 mm | | | | | | |
| Latch depth | 5,1 mm | | | | | | |
| Cycles tested on power electricity | 400.000 | | | | | | |
| Holding force | 3.230 N / 330 kg-f | | | | | | |
| Operating temperature range | -15 °C a +40°C | | | | | | |
| Diode or varistor | Optional | | | | | | |
| Microswitch | Optional | | | | | | |
| | 10-24 V | 6-12 V | 8-12 V | 24 V | 24 VDC (424) | 12 VDC (512) | 24 VDC (524) |
| Coil resistance (Ω) | 43 | 8 | 17 | 58 | 132 | 51 | 160 |
| VAC power consumption (mA) | 175(10V) 250(12V) 500(24V) | 600(6V) 1200(12V) | 370(8V) 560(12V) | 330 | | | |
| Consumption stabilized VDC (mA) | 230(10V) 280(12V) 560(24V) | 750(6V) 1500(12V) | 470(8V) 700(12V) | | 180 VDC | 235 VDC | 150 VDC |
| Working range kept current (V) | 11-13 | | | - | 23-24 | 11-12 | 23-24 |
| Maximum preload latch to open VAC (N) | 250(12V) 360(24V) | | | | | - | - |
| Maximum preload latch to open DC (N) | 55(12V) 220(24V) | | | | | - | - |

POWER SUPPLIES

For a suitable performance we recommend:

AC 12V TF3

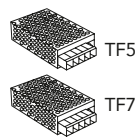


DC 12V

AC 24V TF8

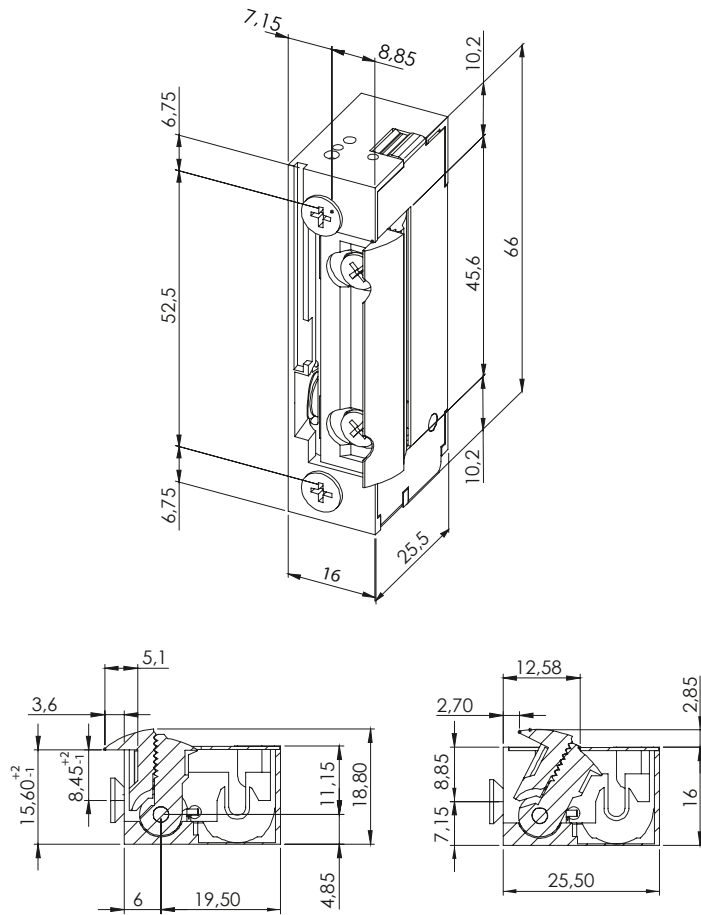


DC 24V



Accessories section page 106

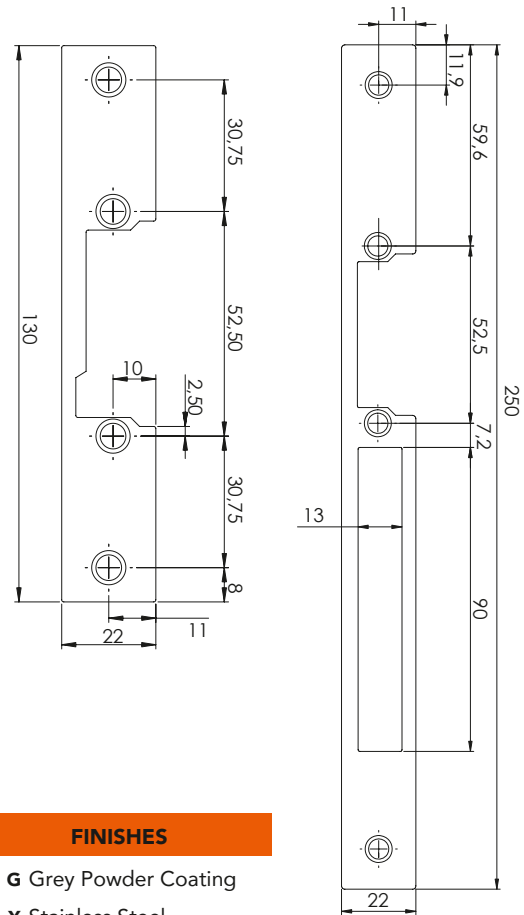
MECHANISM



RECOMMENDED FACE PLATES

P22mm (13)

L22mm (24)

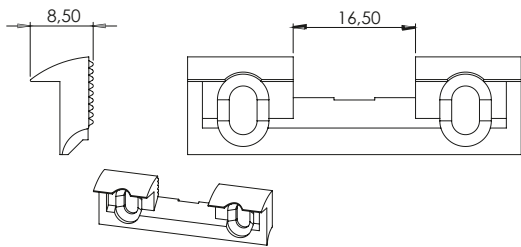


FINISHES

- G** Grey Powder Coating
- X** Stainless Steel

You can request any other finish. Please ask for delivery time..

U2 Jaw



| CODE | DESCRIPTION | STANDARD | DELAY | ACTION (A) | DELAY ACTION INVISIBLE (Aa) | TIMED DELAY ACTION (At) | SLIDING DELAY ACTION (Ab) | FAIL SAFE / 500 | MONITORED (305) | UNLATCHING MECHANISM | ADJUSTABLE JAW | ELECTRICAL AVAILABLE FEATURES ** |
|------|--------------|----------|-------|------------|-----------------------------|-------------------------|---------------------------|-----------------|-----------------|----------------------|----------------|----------------------------------|
| 9901 | 99NF | ● | | | | | | | | ● | | 10-24V AC/DC |
| 9902 | 99NDF | ● | | | | | | | | ● | | 10-24V AC/DC |
| 9903 | 99AF | | ● | | | | | | | ● | | 10-24V AC/DC |
| 9904 | 99ADF | | ● | | | | | | | ● | | 10-24V AC/DC |
| 9938 | 99AbF | | | | | ● | | | | ● | | 10-24V AC/DC |
| 9939 | 99AbDF | | | | | ● | | | | ● | | 10-24V AC/DC |
| 9905 | 99AAF | | | ● | | | | | | ● | | 10-24V AC/DC |
| 9906 | 99AADF | | | ● | | | | | | ● | | 10-24V AC/DC |
| 9913 | 99NF 512 | | | | | | ● | | | ● | | 12V DC |
| 9914 | 99NDF 512 | | | | | | ● | | | ● | | 12V DC |
| 9932 | 99NF 305 | ● | | | | | | ● | | ● | | 10-24V AC/DC |
| 9934 | 99NF 305 512 | | | | | | ● | ● | | ● | | 12V DC |

Available with U2 external jaw. If you want to order, put an "U2" after the CODE. Example: 9901 U2. Standard coil of 43Ω, others available.

CODIFICATION EXAMPLE: 9902/13G
DESCRIPTION EXAMPLE: 99 NDF/P 22G

99 Series mechanism box with normal function, unlatching mechanism and regulable external jaw with plate 13 ("P 22" according to description) painted in grey colour

For more information about compatible faceplates, see page 56 and following

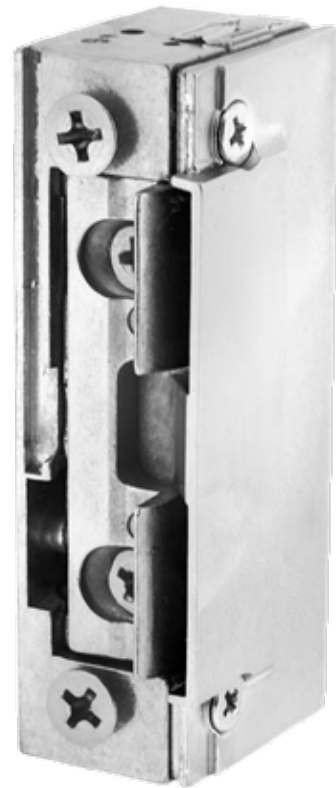
New

DORCAS SPECIAL SERIES
99 TOP SERIES
MULTIVOLTAGE

HI-TECH

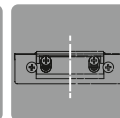
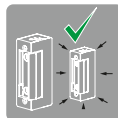
99 TOP variant introduces a new system for guiding the jaw in the electric door release jaw giving an easy opening of the door. Also its special cover allows an easy and smart fitting without any cut-side in the door frame.

- NEW LATCH GUIDE SYSTEM FOR AN EASIER OPENING
- ANTI-FRICTION COVER
- MULTIVOLTAGE
- AC/DC
- MINIMUM SIZE
- RADIAL JAW
- SYMMETRICAL
- NON HANDED
- UNE EN 14846 CERTIFICATION



10 12 24
VOLTAGE

AC
DC



UNE EN
14846

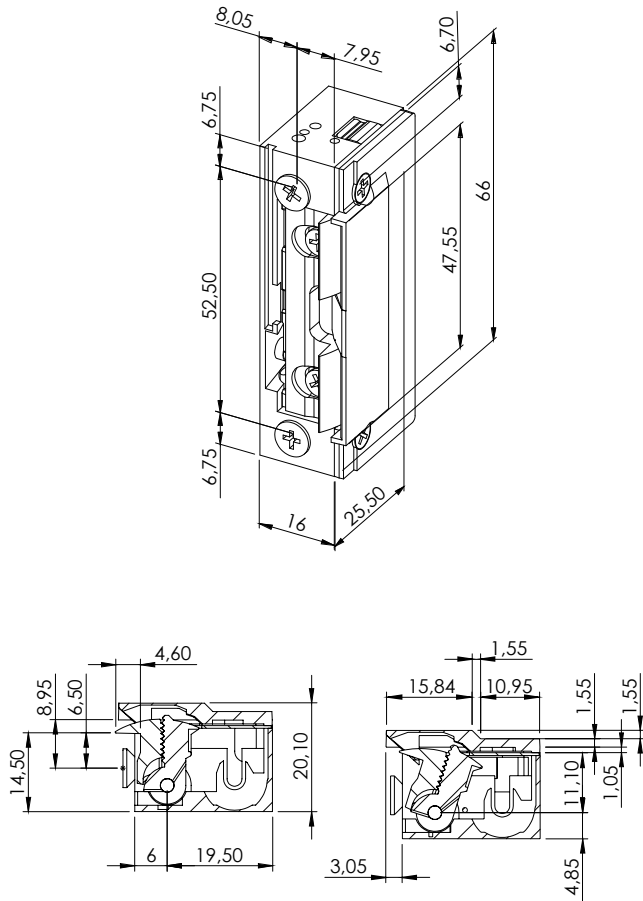


99 Series with detail cut in the installation profile



99 TOP Series with detail cut in the installation profile

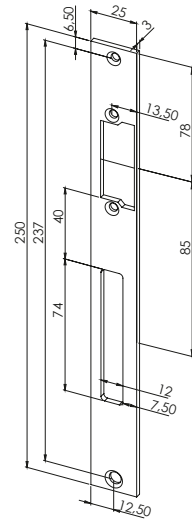
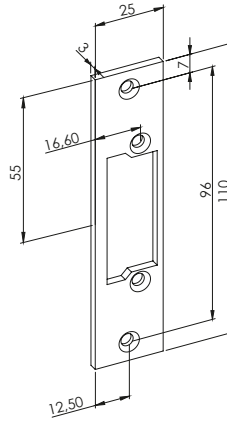
MECHANISM



RECOMMENDED FACE PLATES

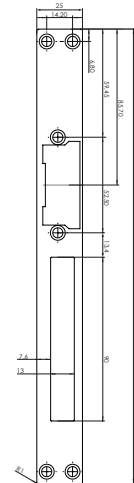
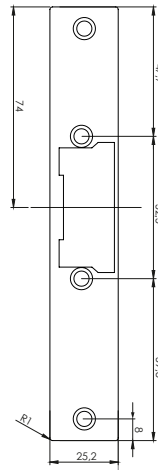
YB (20)

YG (38)



YS (41)

YL (42)



FINISHES

X Stainless Steel

You can request any other finish. Please ask for delivery time..

99 TOP Series has different kind of plates according to the needs of the installation.

13 (P22mm) and 24 (L22mm) plates are also recommended.

| CODE | DESCRIPTION | STANDARD | DELAY | ACTION (A) | DELAY ACTION INVISIBLE (Aa) | TIMED DELAY ACTION (At) | SLIDING DELAY ACTION (Ab) | FAIL SAFE / 500 | MONITORED (305) | UNLATCHING MECHANISM | ADJUSTABLE JAW | ELECTRICAL AVAILABLE FEATURES ** |
|--------|------------------|----------|-------|------------|-----------------------------|-------------------------|---------------------------|-----------------|-----------------|----------------------|----------------|----------------------------------|
| 9901 T | 99NF TOP | ● | | | | | | | | ● | | 10-24V AC/DC |
| 9902 T | 99NDF TOP | ● | | | | | | | | ● | | 10-24V AC/DC |
| 9903 T | 99AF TOP | | ● | | | | | | | ● | | 10-24V AC/DC |
| 9904 T | 99ADF TOP | | ● | | | | | | | ● | | 10-24V AC/DC |
| 9905 T | 99AAF TOP | | | ● | | | | | | ● | | 10-24V AC/DC |
| 9906 T | 99AADF TOP | | | ● | | | | | | ● | | 10-24V AC/DC |
| 9913 T | 99NF 512 TOP | | | | | | | | | ● | | 12V DC |
| 9914 T | 99NDF 512 TOP | | | | | | | | | ● | | 12V DC |
| 9932 T | 99NF 305 TOP | ● | | | | | | | | ● | | 10-24V AC/DC |
| 9934 T | 99NF 305 512 TOP | | | | | | | | | ● | | 12V DC |

Available with U2 external jaw. If you want to order, put an "U2" after the CODE. Ejemplo: 9901 T U2. You can order this model with different lengths of wire already assembled Standard coil of 43Ω, others available.

CODIFICATION EXAMPLE: 9913 T/20X
DESCRIPTION EXAMPLE: 99NF 512 TOP/YBX

99 TOP Series mechanism box with fail safe function, regulable external jaw, TOP supplement and plate 20 ("YB" according to description) stainless steel finishing

For more information about compatible faceplates, see page 56 and following

New

DORCAS SPECIAL SERIES
56SERIES
 TEMPORIZED

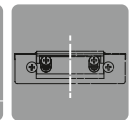
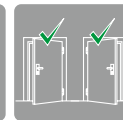
HI-TECH

MAX.
 SECURITY

Dorcas 56 Series is a new electronic generation of higher security electric releases. It has a built-in timer and a radial jaw without pin making easier the installation in AC voltage as well as DC voltage. Thanks to a short pulse (from 1-3 seconds) it releases the door (during a time between 11- 33 seconds) and relocks itself automatically.



- TIMED DELAY ACTION
- AC/DC
- RADIAL JAW
- NON HANDED
- SYMMETRICAL



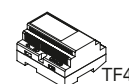
TECHNICAL CHARACTERISTICS

| | |
|---------------------------------------|--------------------|
| High | 75 mm |
| Width | 21 mm |
| Depth | 28 mm |
| Setting the flex flap | 4 mm |
| Latch depth | 5,3 mm |
| Cycles tested on power electricity | 300.000 |
| Holding force | 3.050 N / 310 kg-f |
| Operating temperature range | -10 °C a +50°C |
| Diode or varistor | Optional |
| | At (12 V) |
| Coil resistance (Ω) | 30 |
| VAC power consumption (mA) | 650 |
| Consumption stabilized VDC (mA) | 400 |
| Working range kept current (V) | |
| Maximum preload latch to open VAC (N) | 110 (12V) |

POWER SUPPLIES

For a suitable performance we recommend:

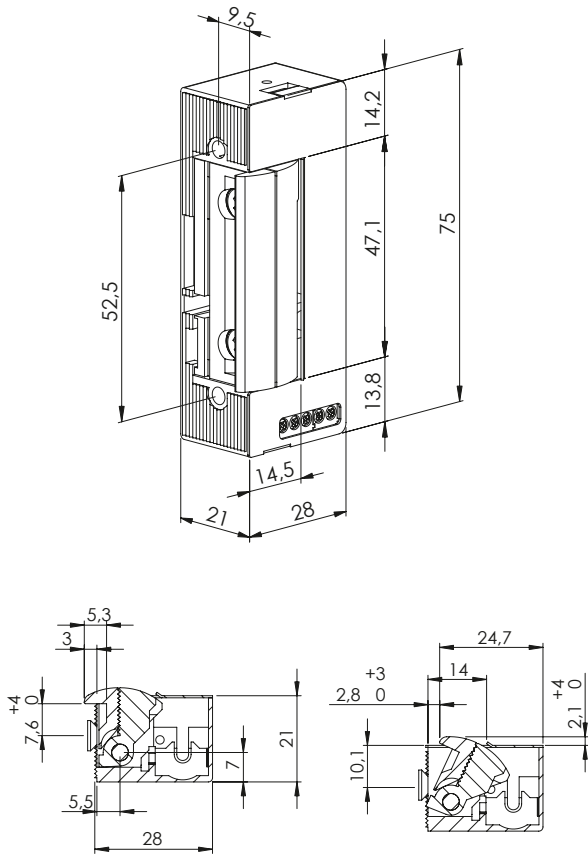
AC 12V TF3



DC 12V

Accessories section page 106

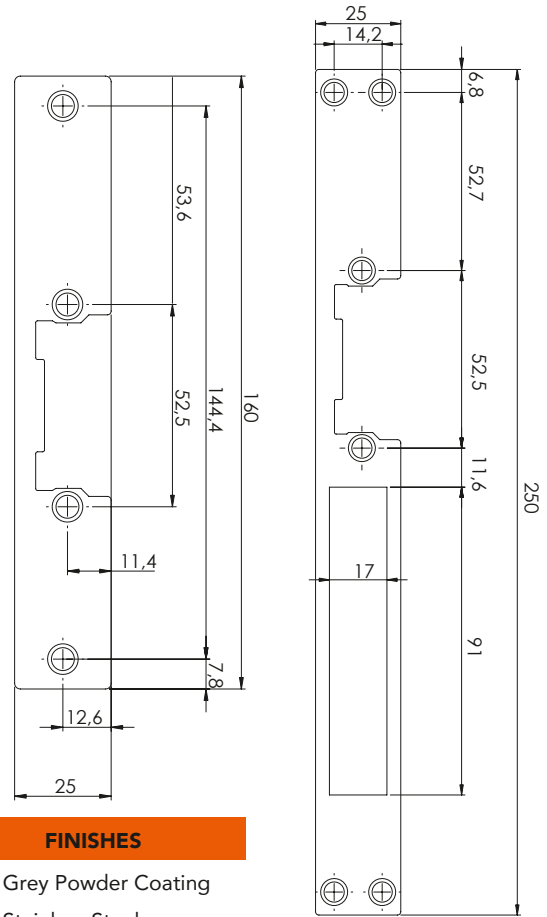
MECHANISM



RECOMMENDED FACE PLATES

S (10)

M (22)



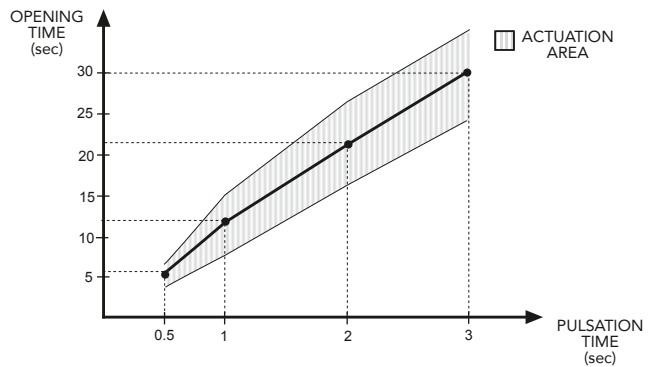
FINISHES

- G** Grey Powder Coating
- X** Stainless Steel

You can request any other finish. Please ask for delivery time..

| PRESS TIME | OPENING TIME* |
|------------|---------------|
| 0,5 seg | 5 ± 1 seg |
| 1 seg | 11 ± 4 seg |
| 2 seg | 21 ± 5 seg |
| 3 seg | 30 ± 6 seg |

* Time measured in room temperature



| CODE | DESCRIPTION | STANDARD | DELAY | ACTION (A) | DELAY ACTION | INVISIBLE (Aa) | TIMED DELAY | ACTION (Ab) | SLIDING DELAY | DELAY ACTION (Ab) | FAIL SAFE / 500 | MONITORED (305) | UNLATCHING MECHANISM | ADJUSTABLE JAW | ELECTRICAL AVAILABLE | FEATURES ** |
|------|-------------|----------|-------|------------|--------------|----------------|-------------|-------------|---------------|-------------------|-----------------|-----------------|----------------------|----------------|----------------------|-------------|
| 5647 | 56 ATF | | | | | | | | | | | | | | | 12V AC/DC |
| 5648 | 56 ATDF | | | | | | | | | | | | | | | 12V AC/DC |

Standard coil of 30Ω

CODIFICATION EXAMPLE: 5647/10X
DESCRIPTION EXAMPLE: 56 ATF/SX

56 Series mechanism box with timed delay action, regulable external jaw and plate 10 ("S" according to description) stainless steel finishing

For more information about compatible faceplates, see page 56 and following

DORCAS SPECIAL SERIES

62SERIES

WATERPROOF AND DUSTPROOF

IP 65 Standard approved 62 series. It has been designed for special installations where waterproof and dustproof features are mandatory.

- WATERPROOF AND DUSTPROOF
- SUITABLE FOR OUTDOOR INSTALLATIONS AND SALINE ENVIRONMENTS
- GASKET SEAL PROTECTED
- IP65
- HANDED



TECHNICAL CHARACTERISTICS

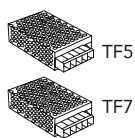
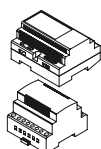
| | | | | | |
|---------------------------------------|-----------------------|---------------------|------|--------------|--------------|
| High | 100 mm | | | | |
| Width | 21,5 mm | | | | |
| Depth | 37 mm | | | | |
| Setting the flex flap | - | | | | |
| Latch depth | 7,7 mm | | | | |
| Cycles tested on power electricity | 300.000 | | | | |
| Holding force | 3.900 N / 400 kg-f | | | | |
| Operating temperature range | -15 °C a +40°C | | | | |
| Diode or varistor | Optional | | | | |
| | 8-12 V | | 24 V | 12 VDC (412) | 24 VDC (424) |
| Coil resistance (Ω) | 8 | 17 | 58 | 68 | 132 |
| VAC power consumption (mA) | 800(8V) 1200(12V) | 370(8V) 560(12V) | 330 | | |
| Consumption stabilized VDC (mA) | 1000(8V) 1500(12V) | 470(8V) 700(12V) | | 180 VDC | 180 VDC |
| Working range kept current (V) | | | - | 11-12 | 23-24 |
| Maximum preload latch to open VAC (N) | 120 (12V) | - | - | - | - |

POWER SUPPLIES

For a suitable performance we recommend:

AC 12V TF3

AC 24V TF8



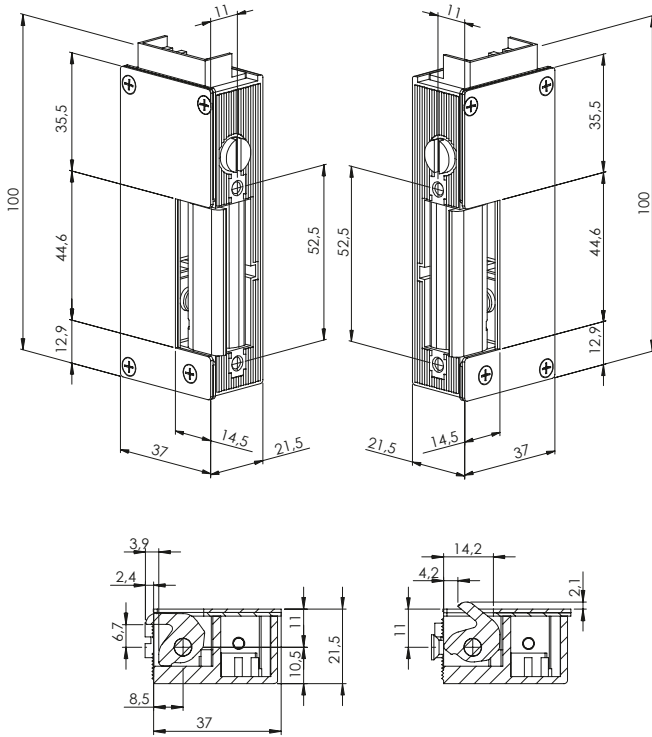
DC 12V

DC 24V Accessories section page 106

MECHANISM

(Din Right)

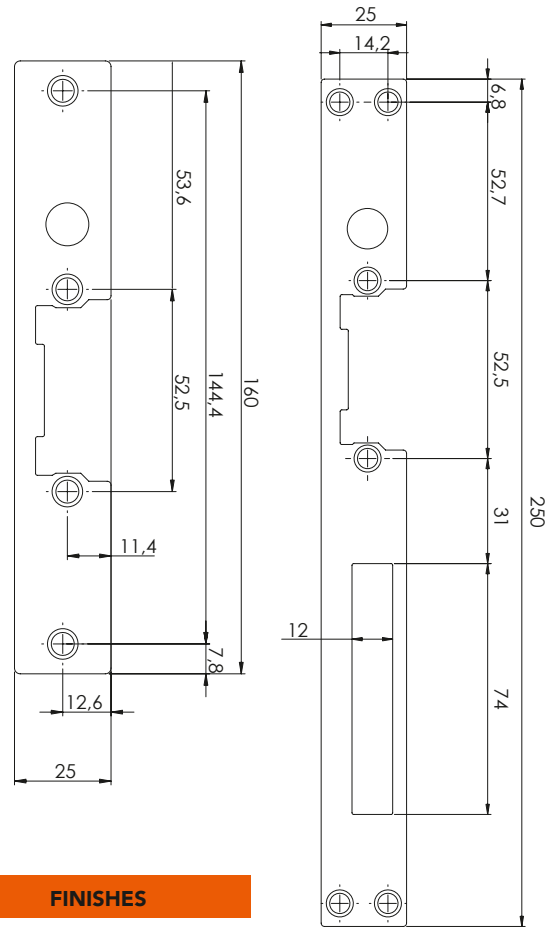
(Din Left)



RECOMMENDED FACE PLATES

S62 (10)

G62 (21)



FINISHES

- G** Grey Powder Coating
- X** Stainless Steel

You can request any other finish. Please ask for delivery time..

ELECTRIC STRIKES

PLATES

ELECTRIC LOCKS

SECURITY CYLINDER SHIELDS

ELECTROMAGNETIC LOCKS

ACCESS CONTROLS

DOOR CLOSER

ACCESSORIES

| CODE | DESCRIPTION | STANDARD | DELAY | ACTION (A) | DELAY ACTION | INVISIBLE (Aa) | TIMED DELAY | ACTION (Aa) | SLIDING DELAY | ACTION (Ab) | FAIL SAFE / 500 | MONITORED (305) | UNLATCHING MECHANISM | ADJUSTABLE JAW | ELECTRICAL AVAILABLE FEATURES ** |
|--------|-------------|-----------|-------|------------|--------------|----------------|-------------|-------------|---------------|-------------|-----------------|-----------------|----------------------|----------------|----------------------------------|
| 6215 D | 62N | DIN right | ● | | | | | | | | | | | | V AC |
| 6215 I | 62N | DIN left | ● | | | | | | | | | | | | V AC |
| 6216 D | 62ND | DIN right | ● | | | | | | | | | | ● | | V AC |
| 6216 I | 62ND | DIN left | ● | | | | | | | | | | ● | | V AC |
| 6219 D | 62Aa | DIN right | | ● | | | | | | | | | | | V AC |
| 6219 I | 62Aa | DIN left | | ● | | | | | | | | | | | V AC |
| 6220 D | 62AAD | DIN right | | ● | | | | | | | | | ● | | V AC |
| 6220 I | 62AAD | DIN left | | ● | | | | | | | | | ● | | V AC |
| 6221 D | 62N 412 | DIN right | ● | | | | | | | | | | | | 12V DC |
| 6221 I | 62N 412 | DIN left | ● | | | | | | | | | | | | 12V DC |
| 6222 D | 62ND 412 | DIN right | ● | | | | | | | | | | ● | | 12V DC |
| 6222 I | 62ND 412 | DIN left | ● | | | | | | | | | | ● | | 12V DC |
| 6227 D | 62N 512 | DIN right | | | | | | | | ● | | | | | 12V DC |
| 6227 I | 62N 512 | DIN left | | | | | | | | ● | | | | | 12V DC |

** 24V version available , simply enter 24 after the CODE. Example: 6215 D 24 Standard coil of 8Ω, others available.

CODIFICATION EXAMPLE: 6216 D/21G
DESCRIPTION EXAMPLE: 62ND D/G62G

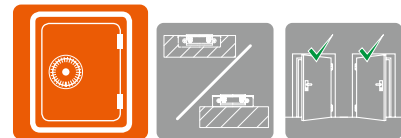
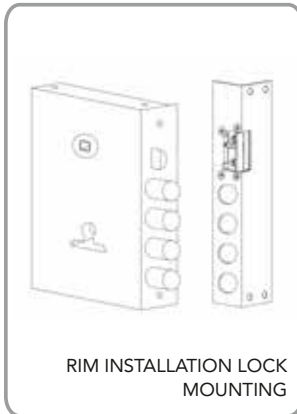
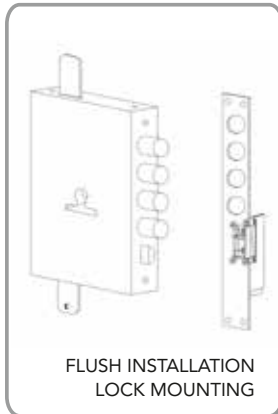
62 Series mechanism box with fail secure function and plate 23 ("L" according to description) grey colour painted

For more information about compatible faceplates, see page 56 and following

DORCAS SPECIAL SERIES
48SERIES
 ARMoured DOORS

48 Series has been designed for combination with Italian security locks. It's body shape is suitable with the upper bolt of this kind of locks. For mortice or rim installations and security and armored doors.

- SECURITY AND ARMORED DOORS
- MORTICE OR RIM MOUNTED INSTALLATIONS
- HARDENED VERSION AVAILABLE



TECHNICAL CHARACTERISTICS

| | | | | | | | |
|---------------------------------------|--------------------------|---------------------|------|--------------|--------------|--------------|--------------|
| High | 89 mm | | | | | | |
| Width | 23 mm | | | | | | |
| Depth | 33 mm | | | | | | |
| Setting the flex flap | +2-1 mm | | | | | | |
| Latch depth | 6 mm (Available in 9 mm) | | | | | | |
| Cycles tested on power electricity | 300.000 | | | | | | |
| Holding force | 3.450 N / 350 Kg-f | | | | | | |
| Operating temperature range | -15 °C a +40°C | | | | | | |
| Diode or varistor | Optional | | | | | | |
| | 8-12 V | | 24 V | 12 VDC (412) | 24 VDC (424) | 12 VDC (512) | 24 VDC (524) |
| Coil resistance (Ω) | 8 | 30 | 58 | 68 | 132 | 70 | 230 |
| VAC power consumption (mA) | 800(8V) 1200(12V) | | 330 | | | | |
| Consumption stabilized VDC (mA) | 1000(8V) 1500(12V) | 260(8V) 400(12V) | | 180 VDC | 180 VDC | 150 VDC | 120 VDC |
| Working range kept current (V) | | - | - | 11-12 | 23-24 | 11-12 | 23-24 |
| Maximum preload latch to open VAC (N) | 100 (12V) | - | - | - | - | - | - |

POWER SUPPLIES

For a suitable performance we recommend:

AC 12V TF3



DC 12V

AC 24V TF8

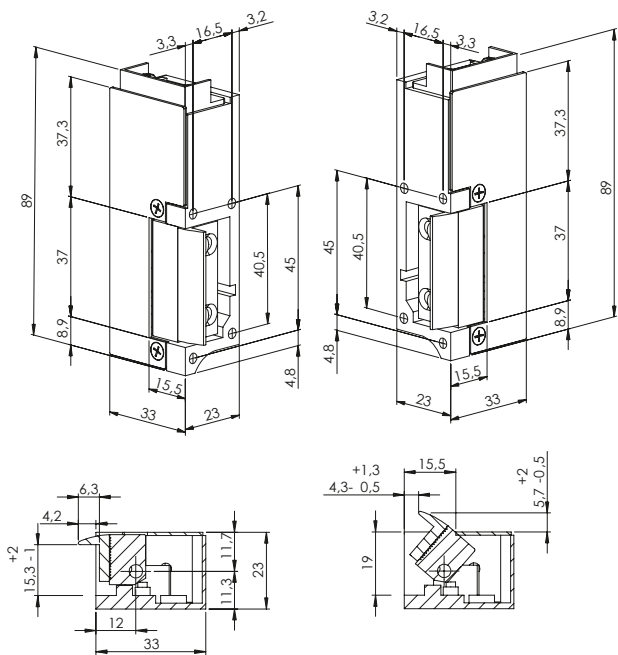


DC 24V Accessories section page 106

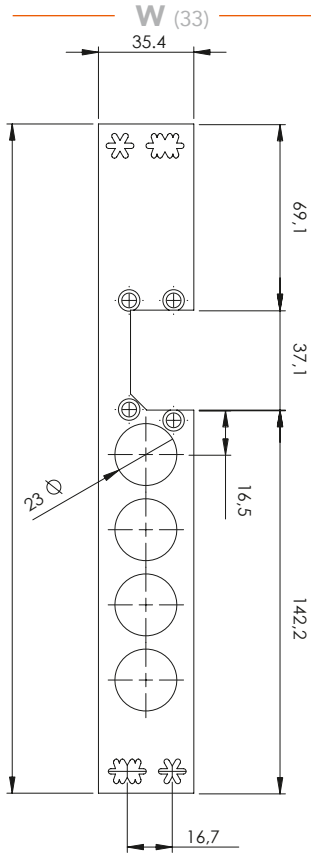
DRAWINGS

(Din Right)

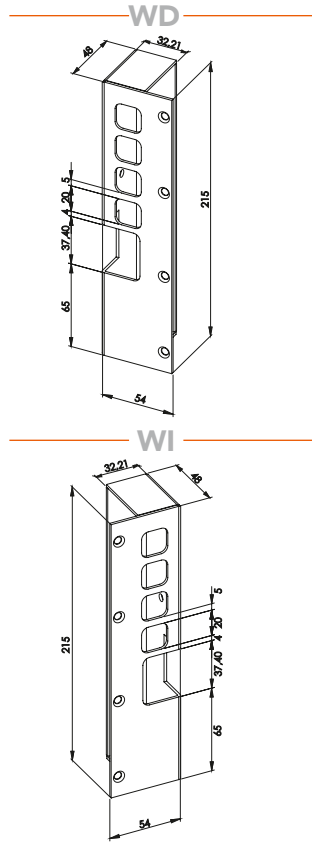
(Din Left)



RECOMMENDED FACE PLATES



COVERS



FINISHES

X Stainless Steel

| CODE | DESCRIPTION | STANDARD | DELAY | ACTION (A) | DELAY ACTION INVISIBLE (Aa) | TIMED DELAY ACTION (At) | SLIDING DELAY ACTION (Ab) | FAIL SAFE / 500 | MONITORED (305) | UNLATCHING MECHANISM | ADJUSTABLE JAW | ELECTRICAL AVAILABLE FEATURES ** |
|--------|-------------|-----------|-------|------------|-----------------------------|-------------------------|---------------------------|-----------------|-----------------|----------------------|----------------|----------------------------------|
| 4801 D | 48NF | DIN right | ● | | | | | | | ● | | V AC |
| 4801 I | 48NF | DIN left | ● | | | | | | | ● | | V AC |
| 4802 D | 48NDF | DIN right | ● | | | | | | ● | ● | | V AC |
| 4802 I | 48NDF | DIN left | ● | | | | | | ● | ● | | V AC |
| 4803 D | 48AF | DIN right | ● | | | | | | | ● | | V AC |
| 4803 I | 48AF | DIN left | ● | | | | | | | ● | | V AC |
| 4804 D | 48ADF | DIN right | ● | | | | | | ● | ● | | V AC |
| 4804 I | 48ADF | DIN left | ● | | | | | | ● | ● | | V AC |
| 4805 D | 48AAF | DIN right | | ● | | | | | | ● | | V AC |
| 4805 I | 48AAF | DIN left | | ● | | | | | | ● | | V AC |
| 4806 D | 48AADF | DIN right | | ● | | | | | | ● | | V AC |
| 4806 I | 48AADF | DIN left | | ● | | | | | | ● | | V AC |
| 4807 D | 48NF 412 | DIN right | ● | | | | | | | ● | | 12V DC |
| 4807 I | 48NF 412 | DIN left | ● | | | | | | | ● | | 12V DC |
| 4808 D | 48NDF 412 | DIN right | ● | | | | | | ● | ● | | 12V DC |
| 4808 I | 48NDF 412 | DIN left | ● | | | | | | ● | ● | | 12V DC |
| 4809 D | 48AF 412 | DIN right | ● | | | | | | | ● | | 12V DC |
| 4809 I | 48AF 412 | DIN left | ● | | | | | | | ● | | 12V DC |
| 4810 D | 48ADF 412 | DIN right | ● | | | | | | ● | ● | | 12V DC |
| 4810 I | 48ADF 412 | DIN left | ● | | | | | | ● | ● | | 12V DC |

** 24V version available , simply enter 24 after the CODE. Example: 4805 D 24.
 In the codification, we assume the latch is above the bolt. If not, when the latch is below the bolt, write "B" after the CODE. Example: 4805 DB
 Hardened Version Available
 Standard coil of 8Ω, others available.

CODIFICATION EXAMPLE: 4802 D/WDX
EJ. DE DESCRIPCIÓN: 48 NDF D/WDX

48 Series mechanism box right handed with normal function , UNLATCHING MECHANISM, regulable external jaw and WD brown painted cover

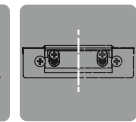
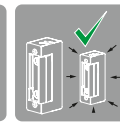
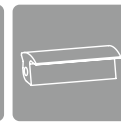
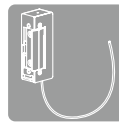
For more information about compatible faceplates, see page 56 and following

DORCAS SPECIAL SERIES
50SERIES
 HIGH HOLD-OPEN FORCE

50 Series is the perfect solution for heavy duty doors with a lot of traffic. The steel jaw ensures 800Kg strength making it perfect for security installations. It is available with a fix jaw and also with direct wires of different output length for door manufacturers. The monitoring version has a strong steel microswitch contact located inside the body release (PATENTED), therefore the electric release does not lose its non handed characteristic.



- HIGH HOLDING FORCE 800 Kg
- STRONG
- PATENTED BUILT-IN MICROSWITCH CONTACT AVAILABLE
- STAINLESS STEEL MICROSWITCH
- IDEAL FOR HEAVY DOORS AND HIGH TRAFFIC
- LONG WIRES OUTPUT
- ADJUSTABLE AND FIX JAW
- MINIMUM SIZE
- SYMMETRICAL
- NON HANDED



TECHNICAL CHARACTERISTICS

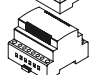
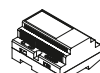
| | | | | | | | | |
|---------------------------------------|--------------------|----------|------|--------------|---------|--------------|--------------|--------------|
| High | 75 mm | | | | | | | |
| Width | 21 mm | | | | | | | |
| Depth | 28 mm | | | | | | | |
| Setting the flex flap | 4 mm | | | | | | | |
| Latch depth | 6 mm | | | | | | | |
| Cycles tested on power electricity | 500.000 | | | | | | | |
| Holding force | 7.800 N / 800 kg-f | | | | | | | |
| Operating temperature range | -15 °C a +40°C | | | | | | | |
| Diode or varistor | Optional | | | | | | | |
| Microswitch | Optional | | | | | | | |
| | 8-12 V | | 24 V | 12 VDC (412) | | 24 VDC (424) | 12 VDC (512) | 24 VDC (524) |
| Coil resistance (Ω) | 8 | 17 | 58 | 30 | 45 | 132 | 60 | 230 |
| VAC power consumption (mA) | 800(8V) | 370(8V) | 330 | | | | | |
| | 1200(12V) | 560(12V) | | | | | | |
| Consumption stabilized VDC (mA) | 1000(8V) | 470(8V) | | 400 VDC | 260 VDC | 180 VDC | 200 VDC | 120 VDC |
| | 1500(12V) | 700(12V) | | | | | | |
| Working range kept current (V) | | | - | 11-12 | 11-12 | 23-24 | 11-12 | 23-24 |
| Maximum preload latch to open VAC (N) | 300 (12V) | - | - | - | - | - | - | - |

POWER SUPPLIES

For a suitable performance we recommend:

AC 12V TF3

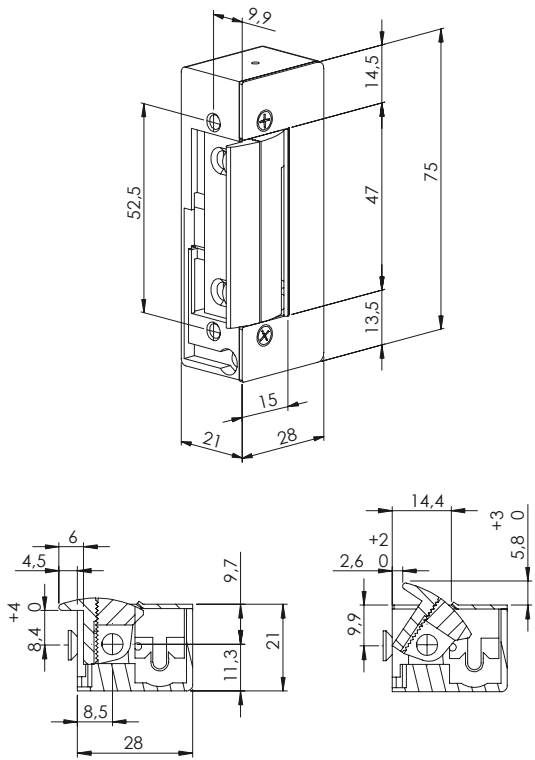
AC 24V TF8



DC 12V

DC 24V Accessories section page 106

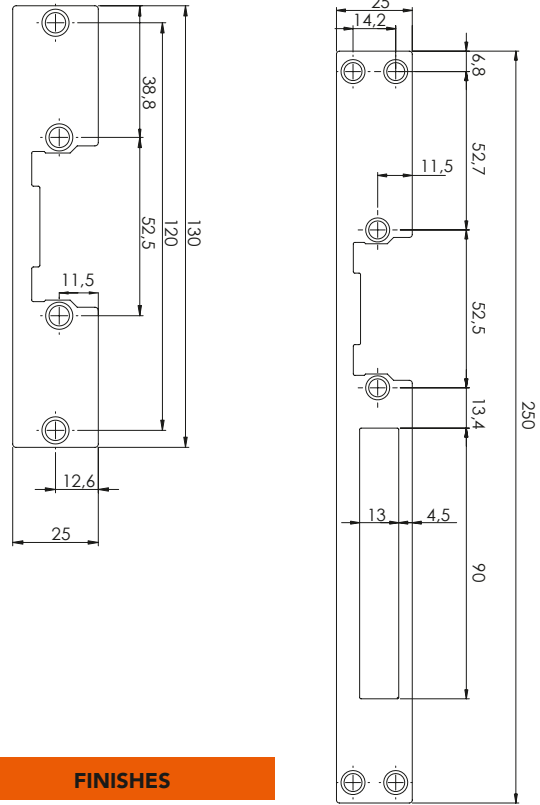
MECHANISM



RECOMMENDED FACE PLATES

P (12)

L (23)



FINISHES

- G** Grey Powder Coating
- X** Stainless Steel

You can request any other finish.
Please ask for delivery time..

| CODE | DESCRIPTION | STANDARD | DELAY | ACTION (A) | DELAY ACTION | INVISIBLE (Aa) | TIMED DELAY | ACTION (At) | SLIDING DELAY | ACTION (Ab) | FAIL SAFE / 500 | MONITORED (305) | UNLATCHING MECHANISM | ADJUSTABLE JAW | ELECTRICAL AVAILABLE FEATURES ** |
|------|--------------|----------|-------|------------|--------------|----------------|-------------|-------------|---------------|-------------|-----------------|-----------------|----------------------|----------------|----------------------------------|
| 5001 | 50NF | ● | | | | | | | | | | | | | V AC |
| 5002 | 50NDF | ● | | | | | | | | | | | ● | ● | V AC |
| 5003 | 50AF | | ● | | | | | | | | | | ● | ● | V AC |
| 5004 | 50ADF | | ● | | | | | | | | | | ● | ● | V AC |
| 5005 | 50AAF | | | ● | | | | | | | | | | | V AC |
| 5006 | 50AADF | | | ● | | | | | | | | | ● | ● | V AC |
| 5007 | 50NF 412 | ● | | | | | | | | | | | | | 12V DC |
| 5008 | 50NDF 412 | ● | | | | | | | | | | | ● | ● | 12V DC |
| 5009 | 50AF 412 | | ● | | | | | | | | | | ● | ● | 12V DC |
| 5010 | 50ADF 412 | | ● | | | | | | | | | | ● | ● | 12V DC |
| 5013 | 50NF 512 | | | | | | | | ● | | | | | | 12V DC |
| 5015 | 50N | ● | | | | | | | | | | | | | V AC |
| 5016 | 50ND | ● | | | | | | | | | | | ● | | V AC |
| 5017 | 50A | | ● | | | | | | | | | | | | V AC |
| 5018 | 50AD | | ● | | | | | | | | | | ● | | V AC |
| 5019 | 50AA | | | ● | | | | | | | | | | | V AC |
| 5020 | 50AAD | | | ● | | | | | | | | | ● | | V AC |
| 5021 | 50N 412 | ● | | | | | | | | | | | | | 12V DC |
| 5022 | 50ND 412 | ● | | | | | | | | | | | ● | | 12V DC |
| 5023 | 50A 412 | | ● | | | | | | | | | | | | 12V DC |
| 5024 | 50AD 412 | | ● | | | | | | | | | | ● | | 12V DC |
| 5027 | 50N 512 | | | | | | | | ● | | | | | | 12V DC |
| 5029 | 50N 305 | ● | | | | | | | | | ● | | | | V AC |
| 5030 | 50N 305 412 | ● | | | | | | | | | ● | | | | 12V DC |
| 5031 | 50N 305 512 | | | | | | | | ● | | ● | | | | 12V DC |
| 5032 | 50NF 305 | ● | | | | | | | | | ● | | ● | | V AC |
| 5033 | 50NF 305 412 | ● | | | | | | | | | ● | | ● | | 12V DC |
| 5034 | 50NF 305 512 | | | | | | | | ● | | ● | | ● | | 12V DC |

** 24V version available , simply enter 24 after the CODE. Example: 5002 24
Standard coil of 17Ω, others available.

CODIFICATION EXAMPLE: 5007/12G
DESCRIPTION EXAMPLE: 50 NF 412/PG

50 Series mechanism box with fail secure function, regulable external jaw and plate 12 ("P" according to description) grey colour painted

For more information about compatible faceplates, see page 56 and following

DORCAS SPECIAL SERIES

52 SERIES

FIRE RATED

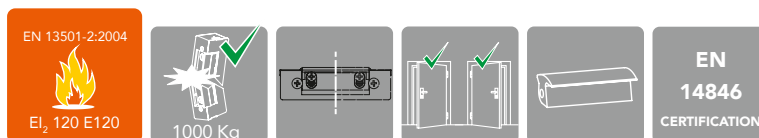
D.O.P.
Declaration of
performance



52 Series has been developed specially for fire doors and is UNE EN 1634-1:2000 and UNE EN 1363-1:2000 Standard approved. Full steel made, the jaw strength is up to 1000 Kg. For other characteristics please refer to 50 Series. Its minimum size and non handed makes it easy to all instalations.



- EI 120 MINUTES FIRE CERTIFICATE
- FIRE RATED
- HIGH HOLD-OPEN FORCE (1000 KG)
- SYMMETRICAL
- NON HANDED
- ADJUSTABLE AND FIX JAW
- EN 14846 CERTIFICATION



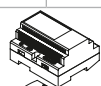
TECHNICAL CHARACTERISTICS

| | | | | | | | | |
|---------------------------------------|-----------------------|---------------------|------|--------------|---------|--------------|--------------|--------------|
| High | 75,4 mm | | | | | | | |
| Width | 21 mm | | | | | | | |
| Depth | 28 mm | | | | | | | |
| Setting the flex flap | 4 mm | | | | | | | |
| Latch depth | 6 mm | | | | | | | |
| Cycles tested on power electricity | 500.000 | | | | | | | |
| Holding force | 9.800 N / 1.000 kg-f | | | | | | | |
| Operating temperature range | -25 °C a +70°C | | | | | | | |
| Diode or varistor | Optional | | | | | | | |
| Microswitch | Optional | | | | | | | |
| | 8-12 V | | 24 V | 12 VDC (412) | | 24 VDC (424) | 12 VDC (512) | 24 VDC (524) |
| Coil resistance (Ω) | 8 | 17 | 58 | 30 | 45 | 132 | 60 | 230 |
| VAC power consumption (mA) | 800(8V) 1200(12V) | 370(8V) 560(12V) | 330 | | | | | |
| Consumption stabilized VDC (mA) | 1000(8V) 1500(12V) | 470(8V) 700(12V) | | 400 VDC | 260 VDC | 180 VDC | 200 VDC | 120 VDC |
| Working range kept current (V) | | | - | 11-12 | 11-12 | 23-24 | 11-12 | 23-24 |
| Maximum preload latch to open VAC (N) | 300 (12V) | - | - | - | - | - | - | - |

POWER SUPPLIES

For a suitable performance we recommend:

AC 12V TF3

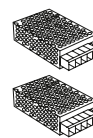


DC 12V

AC 24V TF8



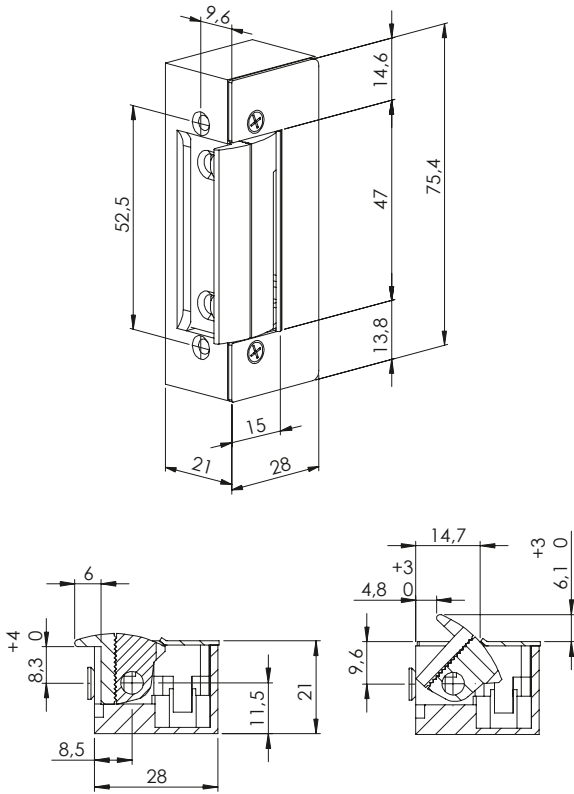
DC 24V



DC 24V

Accessories section page 106

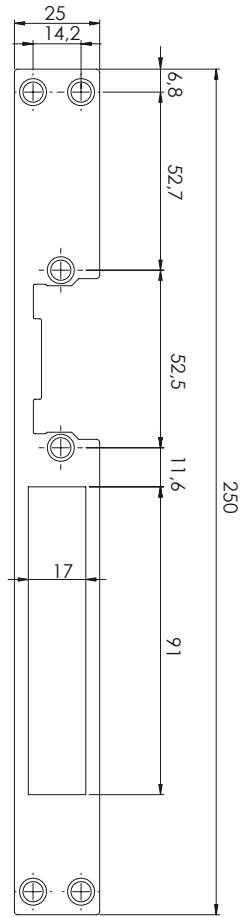
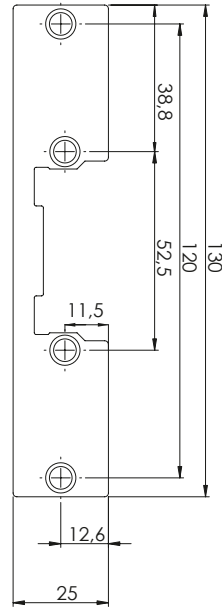
MECHANISM



RECOMMENDED FACE PLATES

P (12)

M (22)



FINISHES

X Stainless Steel

| CODE | DESCRIPTION | STANDARD | DELAY | ACTION (A) | DELAY ACTION | INVISIBLE (Aa) | TIMED DELAY | ACTION (At) | SLIDING DELAY | ACTION (Ab) | FAIL SAFE / 500 | MONITORED (305) | UNLATCHING MECHANISM | ADJUSTABLE JAW | ELECTRICAL AVAILABLE FEATURES ** |
|------|-------------|----------|-------|------------|--------------|----------------|-------------|-------------|---------------|-------------|-----------------|-----------------|----------------------|----------------|----------------------------------|
| 5201 | 52NF | ● | | | | | | | | | | | ● | | V AC |
| 5202 | 52NDF | ● | | | | | | | | | | | ● | | V AC |
| 5203 | 52AF | | ● | | | | | | | | | | ● | | V AC |
| 5204 | 52ADF | | ● | | | | | | | | | | ● | | V AC |
| 5205 | 52AAF | | | ● | | | | | | | | | ● | | V AC |
| 5206 | 52AADF | | | ● | | | | | | | | | ● | | V AC |
| 5207 | 52NF 412 | ● | | | | | | | | | | | ● | | 12V DC |
| 5208 | 52NDF 412 | ● | | | | | | | | | | | ● | | 12V DC |
| 5209 | 52AF 412 | | ● | | | | | | | | | | ● | | 12V DC |
| 5210 | 52ADF 412 | | ● | | | | | | | | | | ● | | 12V DC |
| 5215 | 52N | ● | | | | | | | | | | | ● | | V AC |
| 5216 | 52ND | ● | | | | | | | | | | | ● | | V AC |
| 5217 | 52A | | ● | | | | | | | | | | ● | | V AC |
| 5218 | 52AD | | ● | | | | | | | | | | ● | | V AC |
| 5219 | 52AA | | | ● | | | | | | | | | ● | | V AC |
| 5220 | 52AAD | | | ● | | | | | | | | | ● | | V AC |
| 5221 | 52N 412 | ● | | | | | | | | | | | ● | | 12V DC |
| 5222 | 52ND 412 | ● | | | | | | | | | | | ● | | 12V DC |
| 5223 | 52A 412 | | ● | | | | | | | | | | ● | | 12V DC |
| 5224 | 52AD 412 | | ● | | | | | | | | | | ● | | 12V DC |
| 5229 | 52N 305 | ● | | | | | | | | | ● | | | | V AC |
| 5230 | 52N 305 412 | ● | | | | | | | | | ● | | | | 12V DC |

** 24V version available , simply enter 24 after the CODE. Example: 5203 24
Standard coil of 17Ω, others available.

CODIFICATION EXAMPLE: 5201/22X
DESCRIPTION EXAMPLE: 52 NF/MX

52 Series mechanism box with normal function, regulable external jaw with plate 22 ("M" according description) stainless steel finishing

For more information about compatible faceplates, see page 56 and following

New

DORCAS SPECIAL SERIES
77 SERIES
 EMERGENCY EXITS



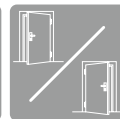
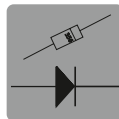
D.O.P.
 Declaration of
 Performance

**450 KG
 PRELOAD**

HI-TECH

In the 77 series, Dorcas presents an electric release for safety and emergency doors installation. Its internal design allows to unlock the door up to 450 Kg preload. It is certified with NF_S_61-937 Standard under the certificate number CET0100362_final_01_a. Also it is EN 14846 certified and D.O.P. can be provide on request.

- 450 KG PRELOAD OPENING
- HIGH SECURITY PURPOSE
- BUILT-IN DIODE
- PRELOAD CERTIFICATE
- EN 14846 CERTIFICATION
- HANDED
- NFS 61937 CERTIFICATE

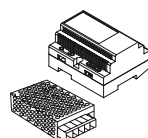


TECHNICAL CHARACTERISTICS

| | | |
|---------------------------------------|--------------------|-----------------|
| High | 134 mm | |
| Width | 39 mm | |
| Depth | 23,2 mm | |
| Setting the flex flap | 2 mm | |
| Latch depth | 10 mm | |
| Cycles tested on power electricity | 500.000 | |
| Holding force | 7.350 N / 750 kg-f | |
| Operating temperature range | -15 °C a +40°C | |
| Diode or varistor | De serie | |
| Microswitch | Optional | |
| | 12 VDC (512) | 24 VDC (524) |
| Coil resistance (Ω) | 37 | 150 |
| VAC power consumption (mA) | | |
| Consumption stabilized VDC (mA) | 320(12V) | 160(24V) |
| Working range kept current (V) | 11-13 V 300-350 | 23-25 V 150-170 |
| Maximum preload latch to open VAC (N) | - | - |
| Maximum preload latch to open DC (N) | 4500 | 4500 |

POWER SUPPLIES

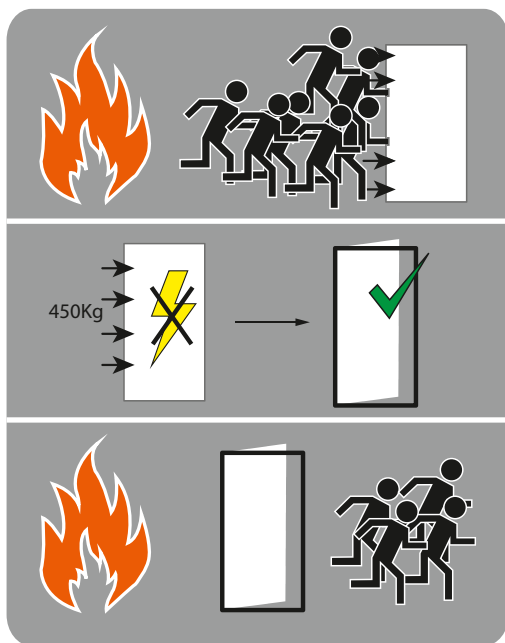
For a suitable performance we recommend:



TF4 DC 12V

TF7 DC 24V Accessories section page 106

Emergency situations where a pressure is applied to the door diffculting its opening.



Emergency exit certificates



| CODE | DESCRIPTION | STANDARD DELAY | ACTION (A) DELAY ACTION INVISIBLE (Aa) | TIMED DELAY ACTION (At) | SLIDING DELAY ACTION (Ab) | FAIL SAFE / 500 | MONITORED (305) | UNLATCHING MECHANISM | ADJUSTABLE JAW | ELECTRICAL AVAILABLE FEATURES ** |
|-----------|------------------------|----------------|--|-------------------------|---------------------------|-----------------|-----------------|----------------------|----------------|----------------------------------|
| 7713 D | 77NF 512 DIN right | | | | | ● | | ● | | 12V DC |
| 7713 I | 77NF 512 DIN left | | | | | ● | | ● | | 12V DC |
| 7713 D 24 | 77NF 524 DIN right | | | | | ● | | ● | | 24V DC |
| 7713 I 24 | 77NF 524 DIN left | | | | | ● | | ● | | 24V DC |
| 7734 D | 77NF 305 512 DIN right | | | | | ● | ● | ● | | 12V DC |
| 7734 I | 77NF 305 512 DIN left | | | | | ● | ● | ● | | 12V DC |
| 7734 D 24 | 77NF 305 524 DIN right | | | | | ● | ● | ● | | 24V DC |
| 7734 I 24 | 77NF 305 524 DIN left | | | | | ● | ● | ● | | 24V DC |

** 48V version available , simply enter 48 after the CODE. Example: 7713D 48

ELECTRIC STRIKES

PLATES

ELECTRIC LOCKS

SECURITY CYLINDER SHIELDS

ELECTROMAGNETIC LOCKS

ACCESS CONTROLS

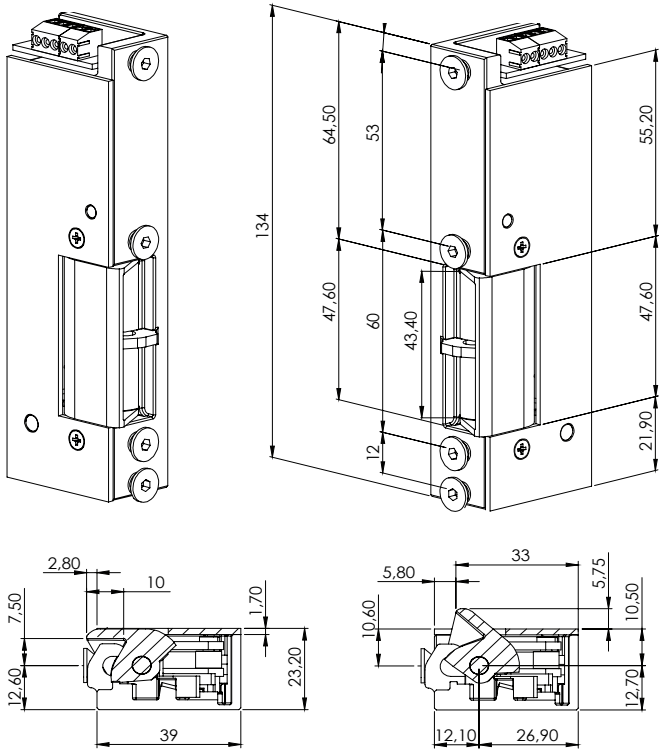
DOOR CLOSER

ACCESSORIES

MECHANISM

(Din Right)

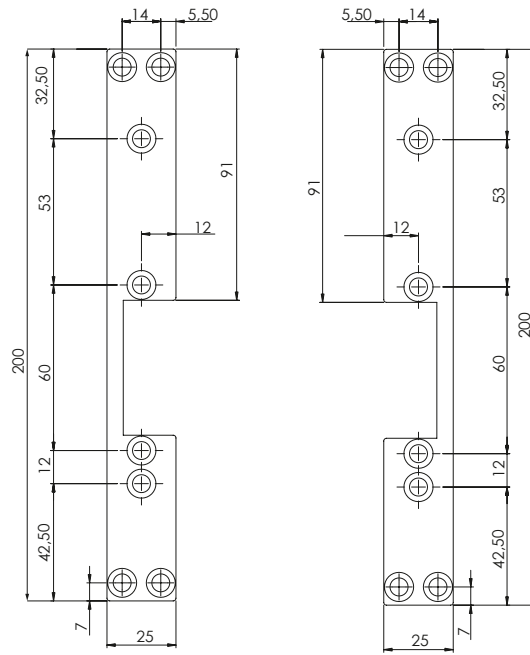
(Din Left)



RECOMMENDED FLACE PLATES

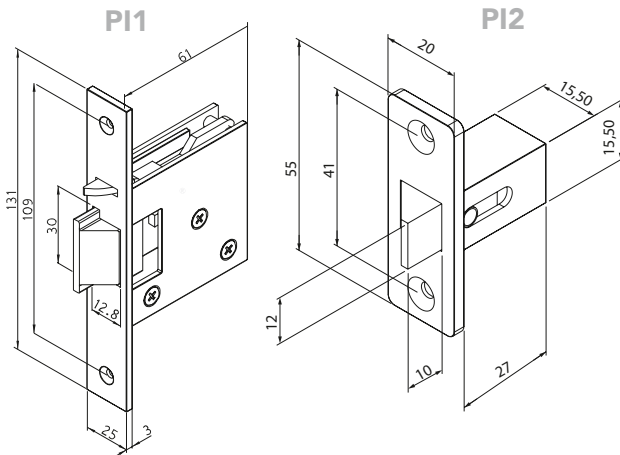
SX77
(Din left) (18)

SX77
(Din right) (19)



LATCHES

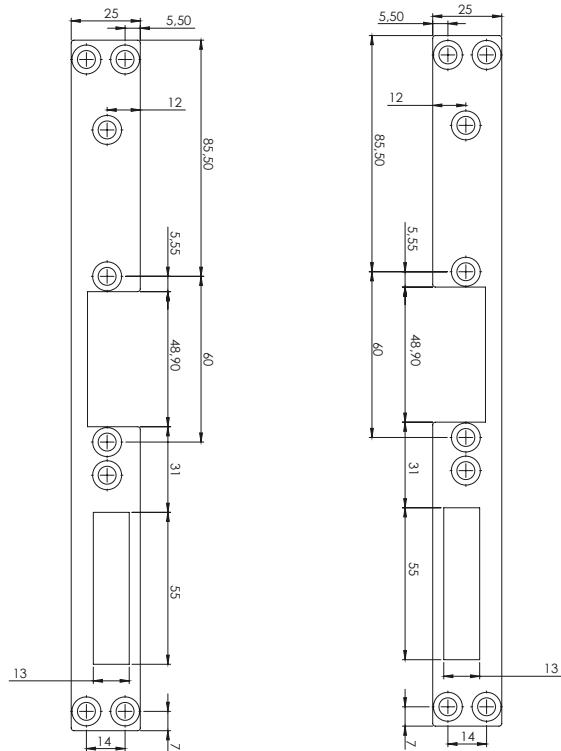
Door jaws recommended with 77 Series:



For more information, see page 111.

GX77
(Din left) (34)

GX77
(Din right) (35)



FINISHES

Stainless Steel

You can request any other finish.
Please ask for delivery time..

CODIFICATION EXAMPLE: 7734 D/18X
EJ. DE DESCRIPCIÓN: 77 NF 305 512 D/SX 77

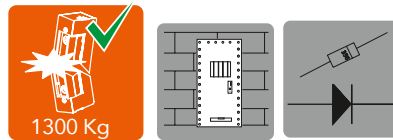
77 Series mechanism box with fail safe function, monitoring function, regulable external jaw and plate 18 ("SX 77" according to description) stainless steel finishing

DORCAS SPECIAL SERIES 77 SERIES

VERY HEAVY DUTY

77 Series, it is a very special electric release for heavy gates and very high security

- HIGH HOLD-OPEN FORCE (1.300 KG)
- BUILT-IN DIODE



TECHNICAL CHARACTERISTICS

| | | | | |
|------------------------------------|-----------------------|--------|-----|-----|
| High | 134 mm | | | |
| Width | 39 mm | | | |
| Depth | 23,2 mm | | | |
| Setting the flex flap | 2 mm | | | |
| Latch depth | 10 mm | | | |
| Cycles tested on power electricity | 500.000 | | | |
| Holding force | 12.700 N / 1.300 Kg-f | | | |
| Operating temperature range | -15 °C a +40°C | | | |
| Diode or varistor | Optional | | | |
| Microswitch | Optional | | | |
| | 12 V | 24 VAC | | |
| Coil resistance (Ω) | 8 | 30 | 70 | 70 |
| VAC power consumption (mA) | 1200 | 320 | 140 | |
| Consumption stabilized VDC (mA) | | 400 | | 350 |

| CODE | DESCRIPTION | STANDARD | DELAY | ACTION (A) | DELAY ACTION INVISIBLE (Aa) | TIMED DELAY ACTION (At) | SLIDING DELAY ACTION (Ab) | FAIL SAFE / 500 | MONITORED (305) | UNLATCHING MECHANISM | ADJUSTABLE JAW | ELECTRICAL AVAILABLE FEATURES ** |
|--------|------------------------|----------|-------|------------|-----------------------------|-------------------------|---------------------------|-----------------|-----------------|----------------------|----------------|----------------------------------|
| 7701 D | 77NF DIN right | ● | | | | | | | | ● | | V AC |
| 7701 I | 77NF DIN left | ● | | | | | | | | ● | | V AC |
| 7707 D | 77NF 412 DIN right | ● | | | | | | | | ● | | 12V DC |
| 7707 I | 77NF 412 DIN left | ● | | | | | | | | ● | | 12V DC |
| 7732 D | 77NF 305 DIN right | ● | | | | | | ● | | ● | | V AC |
| 7732 I | 77NF 305 DIN left | ● | | | | | | ● | | ● | | V AC |
| 7733 D | 77NF 305 412 DIN right | ● | | | | | | ● | | ● | | 12V DC |
| 7733 I | 77NF 305 412 DIN left | ● | | | | | | ● | | ● | | 12V DC |
| 7715 D | 77N DIN right | ● | | | | | | | | | | V AC |
| 7715 I | 77N DIN left | ● | | | | | | | | | | V AC |
| 7721 D | 77N 412 DIN right | ● | | | | | | | | | | 12V DC |
| 7721 I | 77N 412 DIN left | ● | | | | | | | | | | 12V DC |
| 7729 D | 77N 305 DIN right | ● | | | | | | ● | | | | V AC |
| 7729 I | 77N 305 DIN left | ● | | | | | | ● | | | | V AC |
| 7730 D | 77N 305 412 DIN right | ● | | | | | | ● | | | | 12V DC |
| 7730 I | 77N 305 412 DIN left | ● | | | | | | ● | | | | 12V DC |

** 24V version available , simply enter 24 after the CODE. Example: 7707 I 24
Standard coil of 8Ω, others available.

CODIFICATION EXAMPLE: 7701 I/34X
DESCRIPTION EXAMPLE: 77 NF I/GX 77

77 Series mechanism box with normal function, regulable external jaw and plate 34 ("GX 77" according to description) stainless steel finishing

For more information about compatible faceplates, see page 56 and following

DORCAS SPECIAL SERIES

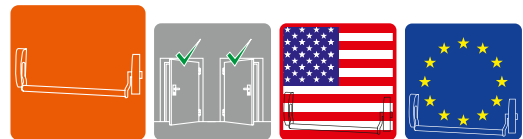
82/82P SERIES

PANIC DEVICES

82 Series is a Non handed surface electric release with hidden fixation, concave jaw and a cover. It is supplied with 8 spacers (1 mm thickness) allowing the installation with almost all panic jaws in the market. The 82P version is particularly suitable for American panic hardware, optionally, can be ordered with a spacer to make it compatible with anti-thrust jaw bolts.



- FOR EMERGENCY EXIT DOORS
- NON HANDED
- FOR AMERICAN PANIC DEVICE (82P)
- FOR EUROPEAN PANIC DEVICE (82)
- HARDENED VERSION AVAILABLE

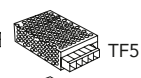
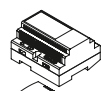


| TECHNICAL CHARACTERISTICS | 82 series | | | 82P series | | | | |
|---------------------------------------|---|---------------------|---------------------|---|--------------|--------------|--------------|--------------|
| High | 140 mm | | | 146 mm | | | | |
| Width | 26,5 mm | | | 38 mm | | | | |
| Depth | 40 mm | | | 45 mm | | | | |
| Setting the flex flap | - | | | - | | | | |
| Latch depth | 10,4 mm | | | 10,1 mm | | | | |
| Cycles tested on power electricity | 300.000 | | | 300.000 | | | | |
| Holding force | 2.950 N / 300 Kg-f Hardened version 5.900 N / 600 Kg-f | | | 2.950 N / 300 Kg-f Hardened version 5.900 N / 600 Kg-f | | | | |
| Operating temperature range | -15 °C a +40°C | | | -15 °C a +40°C | | | | |
| Diode or varistor | Optional | | | Optional | | | | |
| Microswitch | Optional | | | | | | | |
| | 8-12 V | | | 24 V | 12 VDC (412) | 24 VDC (424) | 12 VDC (512) | 24 VDC (524) |
| Coil resistance (Ω) | 8 | 17 | 30 | 58 | 68 | 132 | 70 | 230 |
| VAC power consumption (mA) | 800(8V) 1200(12V) | 370(8V) 560(12V) | | 330 | | | | |
| Consumption stabilized VDC (mA) | 1000(8V) 1500(12V) | 470(8V) 700(12V) | 260(8V) 400(12V) | | 180 VDC | 180 VDC | 150 VDC | 120 VDC |
| Working range kept current (V) | | | - | - | 11-12 | 23-24 | 11-12 | 23-24 |
| Maximum preload latch to open VAC (N) | 82 Series 100 (12V) | - | - | - | - | - | - | - |
| | 82P Series 100 (12V) | - | - | - | - | - | - | - |

POWER SUPPLIES

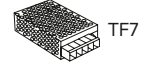
For a suitable performance we recommend:

AC 12V TF3



DC 12V

AC 24V TF8

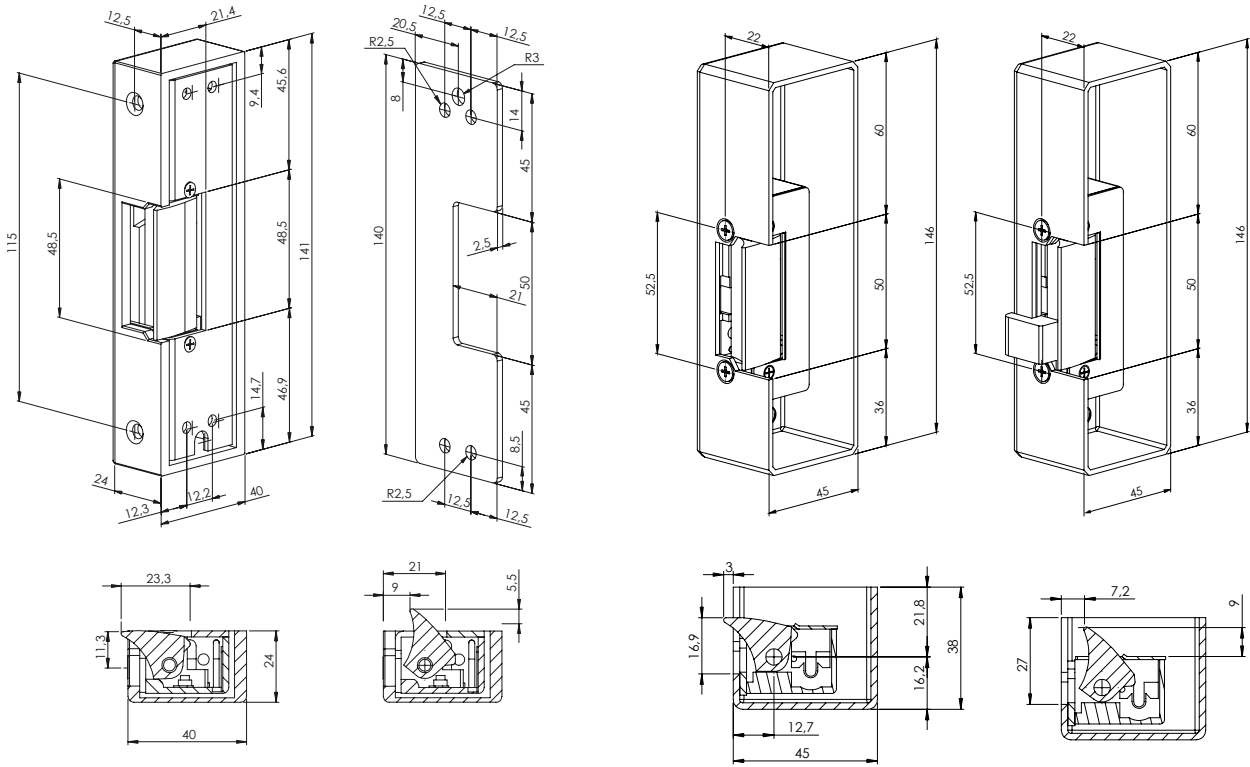


DC 24V Accessories section page 106

MECHANISM

82 82P

faceplate



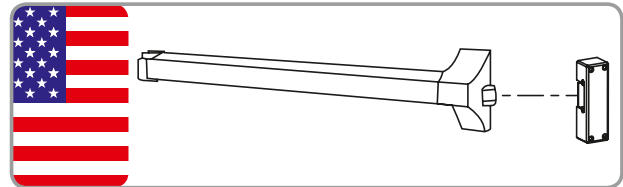
FINISHINGS CASES

- N** Black Powder Coating
- C** Chrome plated

EUROPEAN STANDARD PANIC BAR MOUNTING



AMERICAN STANDARD PANIC BAR MOUNTING



| CODE | DESCRIPTION | STANDARD DELAY | ACTION (A) DELAY ACTION INVISIBLE (Aa) | TIMED DELAY ACTION (At) | SLIDING DELAY ACTION (Ab) | FAIL SAFE / 500 | MONITORED (305) | UNLATCHING MECHANISM | ADJUSTABLE JAW | ELECTRICAL AVAILABLE FEATURES ** |
|--------|----------------|----------------|--|-------------------------|---------------------------|-----------------|-----------------|----------------------|----------------|----------------------------------|
| 8215 | PN | ● | | | | | | | | V AC |
| 8219 | PAA | | ● | | | | | | | V AC |
| 8221 | PN 412 | ● | | | | | | | | 12V DC |
| 8227 | PN 512 | | | | ● | | | | | 12V DC |
| 8229 | PN 305 | ● | | | | | | | ● | V AC |
| 8233 | PN 305 512 | | | | ● | | | | ● | 12V DC |
| 8215 P | P II N | ● | | | | | | | | V AC |
| 8219 P | P II AA | | ● | | | | | | | V AC |
| 8221 P | P II N 412 | ● | | | | | | | | 12V DC |
| 8227 P | P II N 512 | | | | ● | | | | | 12V DC |
| 8229 P | P II N 305 | ● | | | | | | | ● | V AC |
| 8233 P | P II N 305 512 | | | | ● | | | | ● | 12V DC |

** 24V version available , simply enter 24 after the CODE. Example: 8227 24
82P reinforced version with steel jaw available.

In 82P version, simply enter B after the CODE if you ask for compatible with anti-thrust jaw bolts.
Cover included
Standard coil of 8Ω, others available.

CODIFICATION EXAMPLE: 8215 P/N
DESCRIPTION EXAMPLE: P II N/N

82 Series mechanism box with normal function with a black colour cover

For more information about compatible faceplates, see page 56 and following

DORCAS SPECIAL SERIES
83SERIES
 GLASS DOORS

83 Series its a set with jaw and electric release in a metallic cases to install on frameless double panel glass doors of 12 mm thick or less. Inward activation from inside can be done by handle or push button. From outside it has to be opened thanks to access control or intercom. It is fitted by a strong silicon glue. Very easy installation and nice finishings available.

- SUITABLE FOR GLASS DOORS UP TO 12MM OF THICKNESS WITH FRAME
- EASY TO INSTALL
- HANDLE OPTIONAL



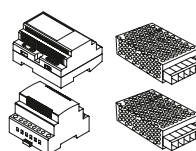
TECHNICAL CHARACTERISTICS

| | | | | | | | | |
|---------------------------------------|-----------------------|---------------------|---------------------|------|--------------|--------------|--------------|--------------|
| High | 190 mm | | | | | | | |
| Width | 27 mm | | | | | | | |
| Depth | 45,5 mm | | | | | | | |
| Setting the flex flap | - | | | | | | | |
| Latch depth | 10,1 mm | | | | | | | |
| Cycles tested on power electricity | 300.000 | | | | | | | |
| Holding force | 2.950 N / 300 Kg-f | | | | | | | |
| Operating temperature range | -15 °C a +40°C | | | | | | | |
| Diode or varistor | Optional | | | | | | | |
| Microswitch | Optional | | | | | | | |
| | 8-12 V | | | 24 V | 12 VDC (412) | 24 VDC (424) | 12 VDC (512) | 24 VDC (524) |
| Coil resistance (Ω) | 8 | 17 | 30 | 58 | 68 | 132 | 70 | 230 |
| VAC power consumption (mA) | 800(8V) 1200(12V) | 370(8V) 560(12V) | | 330 | | | | |
| Consumption stabilized VDC (mA) | 1000(8V) 1500(12V) | 470(8V) 700(12V) | 260(8V) 400(12V) | | 180 VDC | 180 VDC | 150 VDC | 120 VDC |
| Working range kept current (V) | | | - | - | 11-12 | 23-24 | 11-12 | 23-24 |
| Maximum preload latch to open VAC (N) | 100 (12V) | - | - | - | - | - | - | - |

POWER SUPPLIES

For a suitable performance we recommend:

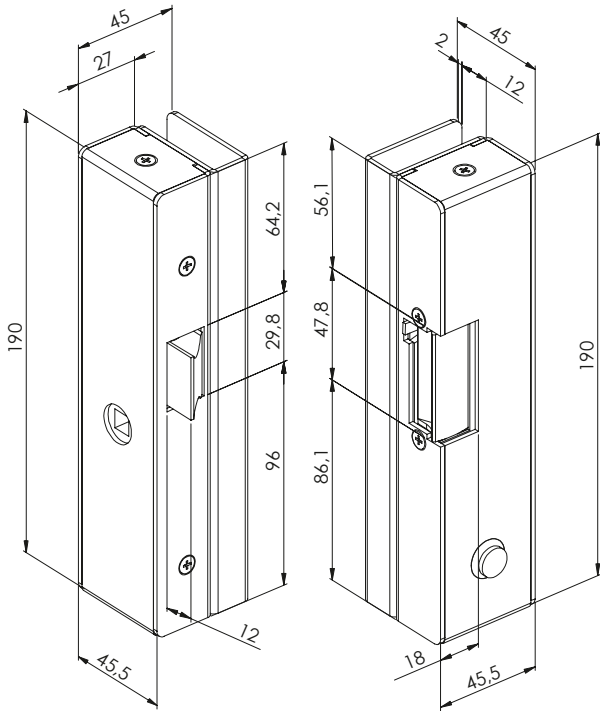
AC 12V TF3
 AC 24V TF8



DC 12V

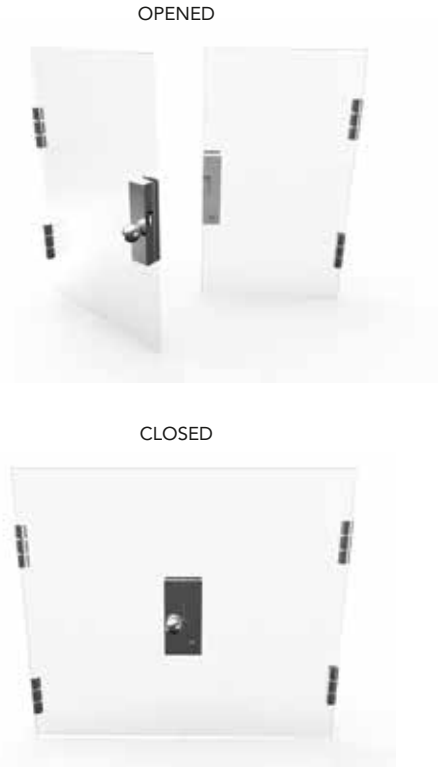
DC 24V Accessories section page 106

MECHANISM



INSTALLATION DETAILS

SUITABLE FOR GLASS DOORS WITHOUT FRAME



FINISHES

- C Chrome plated
- Q Nickel plated

| CODE | DESCRIPTION | STANDARD | DELAY | ACTION (A) | DELAY ACTION | INVISIBLE (Aa) | TIMED DELAY | ACTION (Ab) | SLIDING DELAY | ACTION (Ab) | FAIL SAFE / 500 | MONITORED (305) | UNLATCHING MECHANISM | ADJUSTABLE JAW | ELECTRICAL AVAILABLE FEATURES ** |
|------|-------------|----------|-------|------------|--------------|----------------|-------------|-------------|---------------|-------------|-----------------|-----------------|----------------------|----------------|----------------------------------|
| 8301 | CNF | ● | | | | | | | | | | | ● | | V AC |
| 8302 | CNDF | ● | | | | | | | | | | | ● | | V AC |
| 8303 | CAF | | ● | | | | | | | | | | ● | | V AC |
| 8304 | CADF | | ● | | | | | | | | | | ● | | V AC |
| 8305 | CAAF | | | ● | | | | | | | | | ● | | V AC |
| 8306 | CAADF | | | ● | | | | | | | | | ● | | V AC |
| 8307 | CNF 412 | ● | | | | | | | | | | | ● | | 12V DC |
| 8308 | CNDF 412 | ● | | | | | | | | | | | ● | | 12V DC |
| 8309 | CAF 412 | | ● | | | | | | | | | | ● | | 12V DC |
| 8310 | CADF 412 | | ● | | | | | | | | | | ● | | 12V DC |
| 8313 | CNF 512 | | | | | | | | ● | | | | ● | | 12V DC |
| 8315 | CN | ● | | | | | | | | | | | ● | | V AC |
| 8316 | CND | ● | | | | | | | | | | | ● | | V AC |
| 8317 | CA | | ● | | | | | | | | | | ● | | V AC |
| 8318 | CAD | | ● | | | | | | | | | | ● | | V AC |
| 8319 | CAA | | | ● | | | | | | | | | ● | | V AC |
| 8320 | CAAD | | | ● | | | | | | | | | ● | | V AC |
| 8321 | CN 412 | ● | | | | | | | | | | | ● | | 12V DC |
| 8322 | CND 412 | ● | | | | | | | | | | | ● | | 12V DC |
| 8323 | CA 412 | | ● | | | | | | | | | | ● | | 12V DC |
| 8324 | CAD 412 | | ● | | | | | | | | | | ● | | 12V DC |
| 8327 | CN 512 | | | | | | | | ● | | | | ● | | 12V DC |
| 8329 | CN 305 | ● | | | | | | | | | | ● | | | V AC |
| 8330 | CN 305 412 | ● | | | | | | | | | | ● | | | 12V DC |
| 8331 | CN 305 512 | | | | | | | | ● | | | ● | | | 12V DC |

** 24V version available , simply enter 24 after the CODE. Example: 8330 24
Reinforced version with steel jaw available.
Standard coil of 8Ω, others available.

CODIFICATION EXAMPLE: 8317/Q
DESCRIPTION EXAMPLE: CA/Q

83 Series mechanism box with delay action function with a nickel colour cover

For more information about compatible faceplates, see page 56 and following

DORCAS SPECIAL SERIES
87 SERIES
 GLASS DOORS

No need of lock! 87 Series is the perfect solution for frame glass door installations (up to 12 mm thickness) An integrated security avoids closing without the glass door panel

- SUITABLE FOR GLASS DOORS UP TO 12MM OF THICKNESS WITH FRAME
- NO NEED OF MECHANICAL LOCK
- EASY TO INSTALL



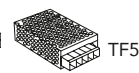
TECHNICAL CHARACTERISTICS

| | | | | | | | | |
|---------------------------------------|--------------------|----------|----------|------|--------------|--------------|--------------|--------------|
| High | 105 mm | | | | | | | |
| Width | 20 mm | | | | | | | |
| Depth | 28 mm | | | | | | | |
| Setting the flex flap | - | | | | | | | |
| Latch depth | 11,2 mm | | | | | | | |
| Cycles tested on power electricity | 250.000 | | | | | | | |
| Holding force | 2.550 N / 260 kg-f | | | | | | | |
| Operating temperature range | -15 °C a +40°C | | | | | | | |
| Diode or varistor | Optional | | | | | | | |
| | 8-12 V | | | 24 V | 12 VDC (412) | 24 VDC (424) | 12 VDC (512) | 24 VDC (524) |
| Coil resistance (Ω) | 8 | 17 | 30 | 58 | 68 | 132 | 70 | 230 |
| VAC power consumption (mA) | 800(8V) | 370(8V) | | 330 | | | | |
| | 1200(12V) | 560(12V) | | | | | | |
| Consumption stabilized VDC (mA) | 1000(8V) | 470(8V) | 260(8V) | | 180 VDC | 180 VDC | 150 VDC | 120 VDC |
| | 1500(12V) | 700(12V) | 400(12V) | | | | | |
| Working range kept current (V) | | | - | - | 11-12 | 23-24 | 11-12 | 23-24 |
| Maximum preload latch to open VAC (N) | 100 (12V) | - | - | - | - | - | - | - |

POWER SUPPLIES

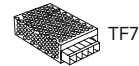
For a suitable performance we recommend:

AC 12V TF3



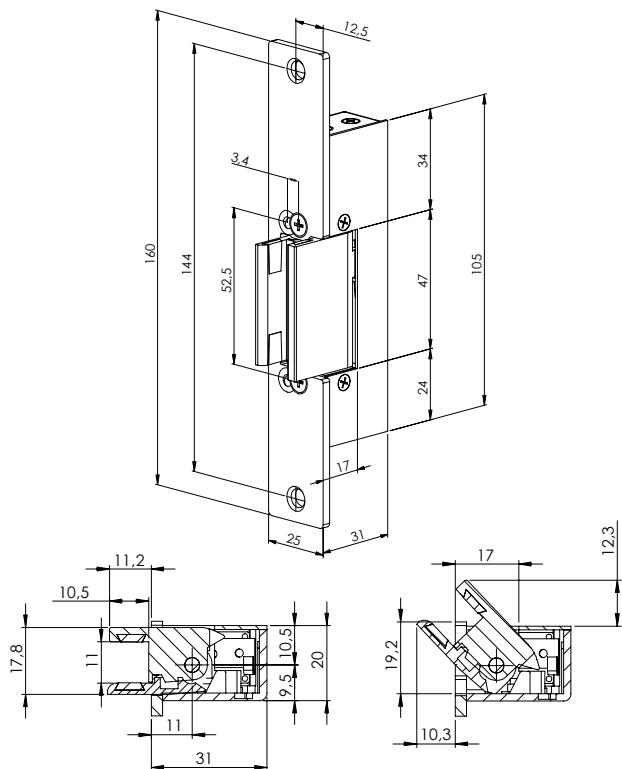
DC 12V

AC 24V TF8



DC 24V Accessories section page 106

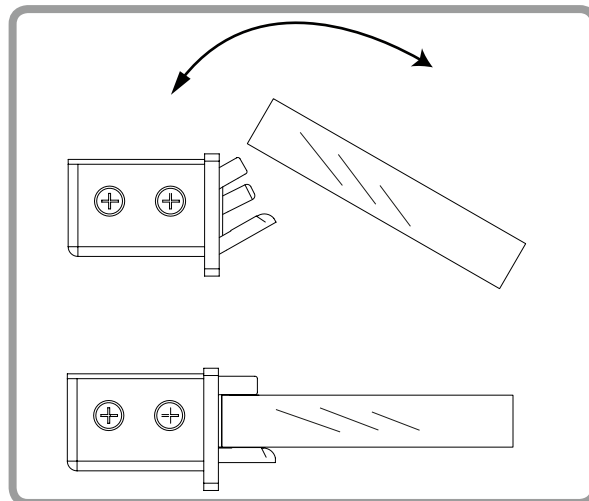
MECHANISM



FINISHES

X Stainless Steel

FUNCTION



LATERAL FRAME INSTALLATION



TOP FRAME INSTALLATION



| CODE | DESCRIPTION | STANDARD | DELAY | ACTION (A) | DELAY ACTION | INVISIBLE (Aa) | TIMED DELAY | ACTION (At) | SLIDING DELAY | ACTION (Ab) | FAIL SAFE / 500 | MONITORED (305) | UNLATCHING MECHANISM | ADJUSTABLE JAW | ELECTRICAL AVAILABLE | FEATURES *** |
|------|-------------|----------|-------|------------|--------------|----------------|-------------|-------------|---------------|-------------|-----------------|-----------------|----------------------|----------------|----------------------|--------------|
| 8715 | CII N | ● | | | | | | | | | | | | | V AC | |
| 8719 | CII AA | | | ● | | | | | | | | | | | V AC | |
| 8721 | CII N 412 | ● | | | | | | | | | | | | | 12V DC | |
| 8727 | CII N 512 | | | | | | | | ● | | | | | | 12V DC | |

** 24V version available , simply enter 24 after the CODE. Example: 8721 24
Standard coil of 8Ω, others available.

CODIFICATION EXAMPLE: 8715/X
DESCRIPTION EXAMPLE: CII N/X

87 Series mechanism box with delay action function with stainless steel finishing

For more information about compatible faceplates, see page 56 and following

DORCAS SPECIAL SERIES
 **47/46/84** SERIES
 BRITISH AND AMERICAN LOCKS

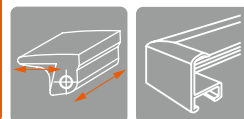
47 Series is a range of electric releases for combination with ANSI type locks. They have small non handed body and a Depth jaw jaw they are provided with a black lip of proper length for (3 and 1/3' - 1 and 1/2' - 4/5') thick door that closes flush with jamb edge.

46 Series has the same characteristics but has been designed for tubular locks.

84 Series is suitable for American type locks, characterized for been wider, Depth and longer than usual.



- FOR USA AND UK LOCKS
- LONG LATCHES
- DEPTH LATCHES
- METALLIC PROFILES
- HARDENED VERSION AVAILABLE



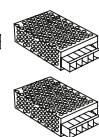
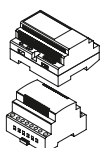
| TECHNICAL CHARACTERISTICS | 47 series | 46 series | 84 series | | | | |
|---------------------------------------|--|--------------------|--------------------|--------------|--------------|--------------|--------------|
| High | 84,5 mm | 75,3 mm | 67 mm | | | | |
| Width | 45,7 mm | 39,3 mm | 20,5 mm | | | | |
| Depth | 39 mm | 34 mm | 37,4 mm | | | | |
| Setting the flex flap | - | - | - | | | | |
| Latch depth | 15,7 mm | 14,6 mm | 14,4 mm | | | | |
| Cycles tested on power electricity | 300.000 | 300.000 | 300.000 | | | | |
| Holding force | 3.450 N / 350 Kg-f Hardened V.: 4.400 N / 450 Kg-f | 3.450 N / 350 Kg-f | 3.450 N / 350 Kg-f | | | | |
| Operating temperature range | -15 °C a +40°C | -15 °C a +40°C | -15 °C a +40°C | | | | |
| Diode or varistor | Optional | Optional | Optional | | | | |
| Microswitch | Optional | - | - | | | | |
| | 8-16 V | 24 V | 14-24 V | 12 VDC (412) | 24 VDC (424) | 12 VDC (512) | 24 VDC (524) |
| Coil resistance (Ω) | 17 | 58 | 45 | 68 | 132 | 58 | 230 |
| VAC power consumption (mA) | 370(8V) 750(12V) | 330 | | | | | |
| Consumption stabilized VDC (mA) | 470(8V) 940(12V) | | 260 | 180 VDC | 180 VDC | 200 VDC | 120 VDC |
| Working range kept current (V) | | - | 11-12 | 11-12 | 23-24 | 11-12 | 23-24 |
| Maximum preload latch to open VAC (N) | 47 Series 400 (12V) 46 Series 200 (12V) 84 Series 130 (12V) | - | - | - | - | - | - |

POWER SUPPLIES

For a suitable performance we recommend:

AC 12V TF3

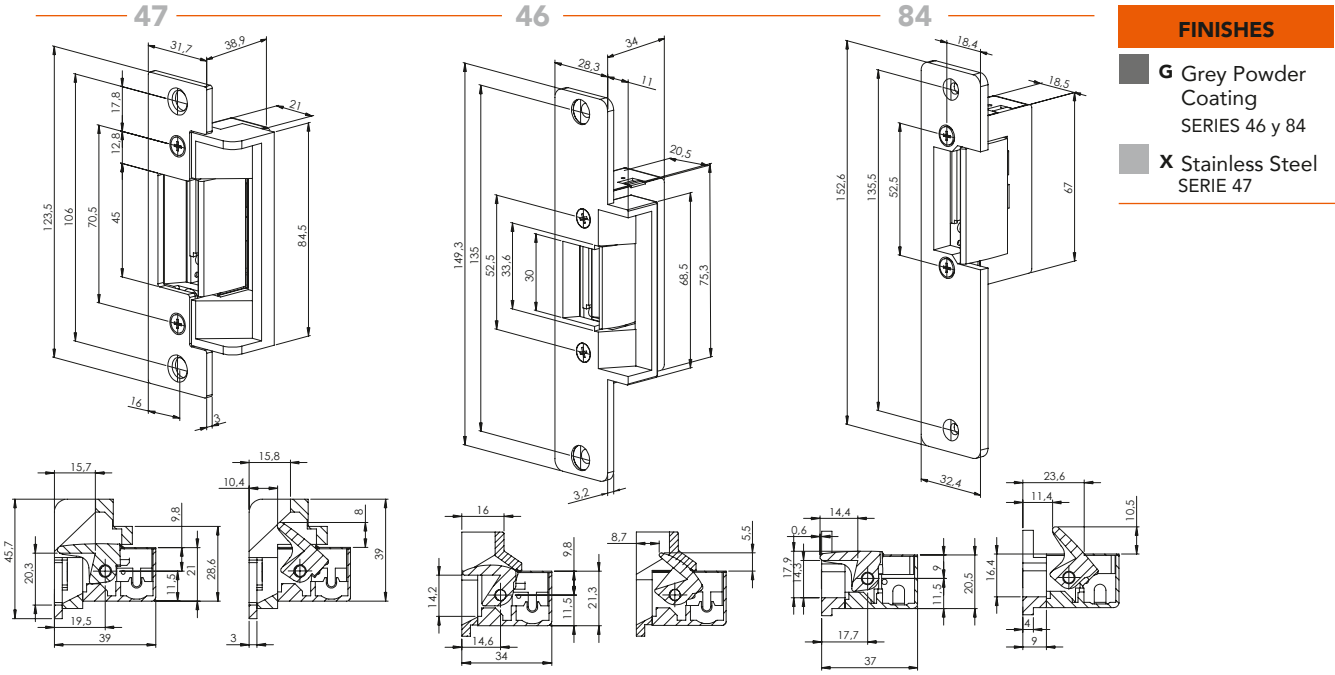
AC 24V TF8



DC 12V

DC 24V Accessories section page 106

DRAWINGS



| FINISHES | |
|--|--|
| G Grey Powder Coating SERIES 46 y 84 | |
| X Stainless Steel SERIE 47 | |

| CODE | DESCRIPTION | STANDARD DELAY | ACTION (A) DELAY ACTION INVISIBLE (Aa) | TIMED DELAY ACTION (At) | SLIDING DELAY ACTION (Ab) | FAIL SAFE / 500 | MONITORED (305) | UNLATCHING MECHANISM | ADJUSTABLE JAW | ELECTRICAL AVAILABLE FEATURES *** |
|------|--------------|----------------|--|-------------------------|---------------------------|-----------------|-----------------|----------------------|----------------|-----------------------------------|
| 4701 | 47NF | ● | | | | | | ● | | V AC |
| 4707 | 47NF 412 | ● | | | | | | ● | | 12V DC |
| 4713 | 47NF 512 | | | | ● | | | ● | | 12V DC |
| 4732 | 47NF 305 | ● | | | | ● | | ● | | V AC |
| 4733 | 47NF 305 412 | ● | | | | | | ● | | 12V DC |
| 4734 | 47NF 305 512 | | | | ● | ● | | ● | | 12V DC |
| 4715 | 47N | ● | | | | | | | | V AC |
| 4721 | 47N 412 | ● | | | | | | | | 12V DC |
| 4727 | 47N 512 | | | | ● | | | | | 12V DC |

** 24V version available , simply enter 24 after the CODE. Example: 4715 24
Stainless steel plate (153x33mm) and black cover included. Other lengths of plates available..
Standard coil of 17Ω, others available.

| CODE | DESCRIPTION | STANDARD DELAY | ACTION (A) DELAY ACTION INVISIBLE (Aa) | TIMED DELAY ACTION (At) | SLIDING DELAY ACTION (Ab) | FAIL SAFE / 500 | MONITORED (305) | UNLATCHING MECHANISM | ADJUSTABLE JAW | ELECTRICAL AVAILABLE FEATURES *** |
|------|-------------|----------------|--|-------------------------|---------------------------|-----------------|-----------------|----------------------|----------------|-----------------------------------|
| 4615 | 46N | ● | | | | | | | | V AC |
| 4621 | 46N 412 | ● | | | | | | | | 12V DC |
| 4627 | 46N 512 | | | | ● | | | | | 12V DC |

** 24V version available , simply enter 24 after the CODE. Example: 4621 24
Grey painted plate included (149x28mm).
Standard coil of 17Ω, others available.

| CODE | DESCRIPTION | STANDARD DELAY | ACTION (A) DELAY ACTION INVISIBLE (Aa) | TIMED DELAY ACTION (At) | SLIDING DELAY ACTION (Ab) | FAIL SAFE / 500 | MONITORED (305) | UNLATCHING MECHANISM | ADJUSTABLE JAW | ELECTRICAL AVAILABLE FEATURES *** |
|------|-------------|----------------|--|-------------------------|---------------------------|-----------------|-----------------|----------------------|----------------|-----------------------------------|
| 8401 | 84NF | ● | | | | | | ● | | V AC |
| 8402 | 84NDF | ● | | | | | | ● | | V AC |
| 8403 | 84AaF | | ● | | | | | ● | | V AC |
| 8404 | 84AaDF | | ● | | | | | ● | | V AC |
| 8407 | 84NF 412 | ● | | | | | | ● | | 12V DC |
| 8408 | 84NDF 412 | ● | | | | | | ● | | 12V DC |
| 8413 | 84NF 512 | | | | ● | | | ● | | 12V DC |

** 24V version available , simply enter 24 after the CODE. Example: 8408 24
Grey painted plate included (153x33mm).
Standard coil of 17Ω, others available.

| | |
|---|---|
| CODIFICATION EXAMPLE: 4701/X DESCRIPTION EXAMPLE: 47 NF/X | 47 Series mechanism box with normal function and regulable external jaw stainless steel finishing |
| CODIFICATION EXAMPLE: 4615/G DESCRIPTION EXAMPLE: 46 N/G | 46 Series mechanism box with normal function grey colour painted |
| CODIFICATION EXAMPLE: 8402/G DESCRIPTION EXAMPLE: 84 NDF/G | 84 Series mechanism box with normal function, UNLATCHING MECHANISM and regulable external jaw grey colour painted |

For more information about compatible faceplates, see page 56 and following

ELECTRIC STRIKES
PLATES
ELECTRIC LOCKS
SECURITY CYLINDER SHIELDS
ELECTROMAGNETIC LOCKS
ACCESS CONTROLS
DOOR CLOSER
ACCESSORIES

DORCAS SPECIAL SERIES
88SERIES
 DEADBOLT LOCKS

88 Series is specifically designed to release a mortice deadbolt lock. It can be combined with standard electric releases for jaw allowing a double control opening electric release.

- FOR DEADBOLT
- ARTICULATED JAW



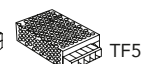
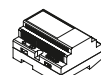
TECHNICAL CHARACTERISTICS

| | | | | | | | | |
|---------------------------------------|--------------------|----------|----------|------|--------------|--------------|--------------|--------------|
| High | 105 mm | | | | | | | |
| Width | 20 mm | | | | | | | |
| Depth | 28 mm | | | | | | | |
| Setting the flex flap | - | | | | | | | |
| Latch depth | - | | | | | | | |
| Cycles tested on power electricity | 200.000 | | | | | | | |
| Holding force | 2.550 N / 260 kg-f | | | | | | | |
| Operating temperature range | -15 °C a +40°C | | | | | | | |
| Diode or varistor | Optional | | | | | | | |
| | 8-12 V | | | 24 V | 12 VDC (412) | 24 VDC (424) | 12 VDC (512) | 24 VDC (524) |
| Coil resistance (Ω) | 8 | 17 | 30 | 58 | 68 | 132 | 70 | 230 |
| VAC power consumption (mA) | 800(8V) | 370(8V) | | 330 | | | | |
| | 1200(12V) | 560(12V) | | | | | | |
| Consumption stabilized VDC (mA) | 1000(8V) | 470(8V) | 260(8V) | | 180 VDC | 180 VDC | 150 VDC | 120 VDC |
| | 1500(12V) | 700(12V) | 400(12V) | | | | | |
| Working range kept current (V) | | | - | - | 11-12 | 23-24 | 11-12 | 23-24 |
| Maximum preload latch to open VAC (N) | 100 (12V) | - | - | - | - | - | - | - |

POWER SUPPLIES

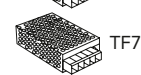
For a suitable performance we recommend:

AC 12V TF3



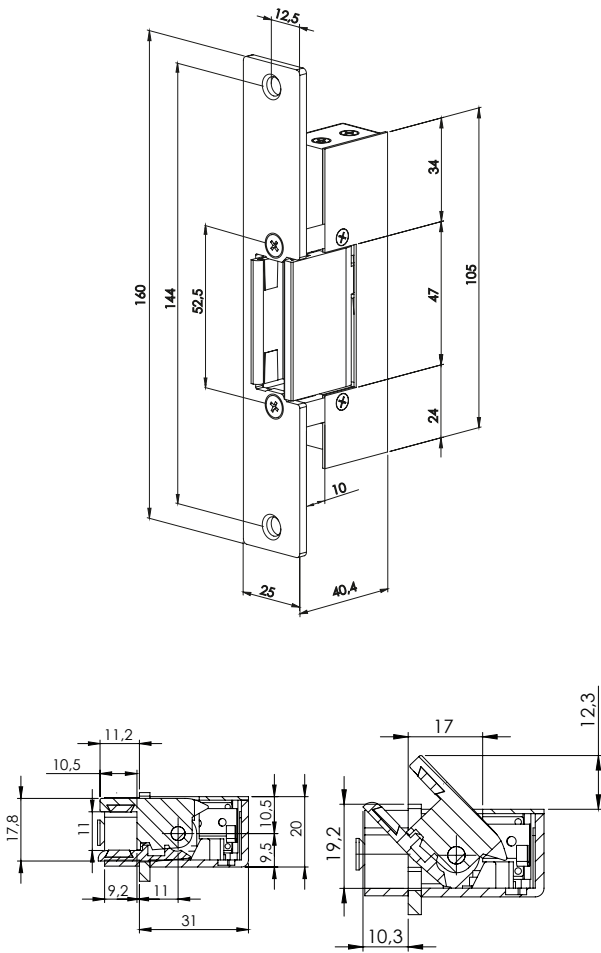
DC 12V

AC 24V TF8



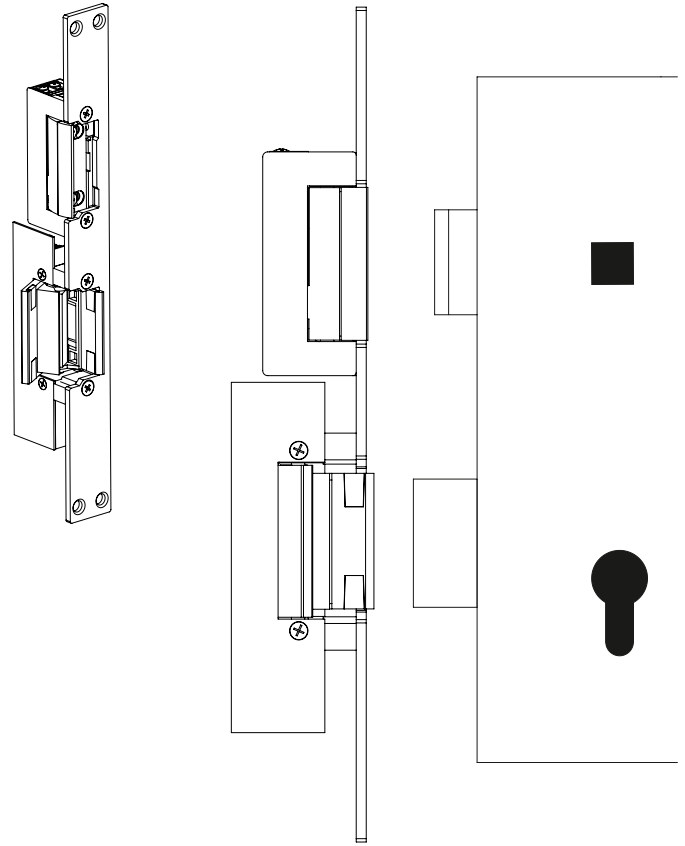
DC 24V Accessories section page 106

MECHANISM



CUSTOMIZED SOLUTIONS

As manufacturer feel free to ask for special solutions when you cannot find out to cover your needs in the normal range. Dorcas on the example above has designed a double electric for jaw and deadbolt. This solution is perfect for hotel room doors for a complete control of the opening.



FINISHES

X Stainless Steel

You can request any other finish. Please ask for delivery time..

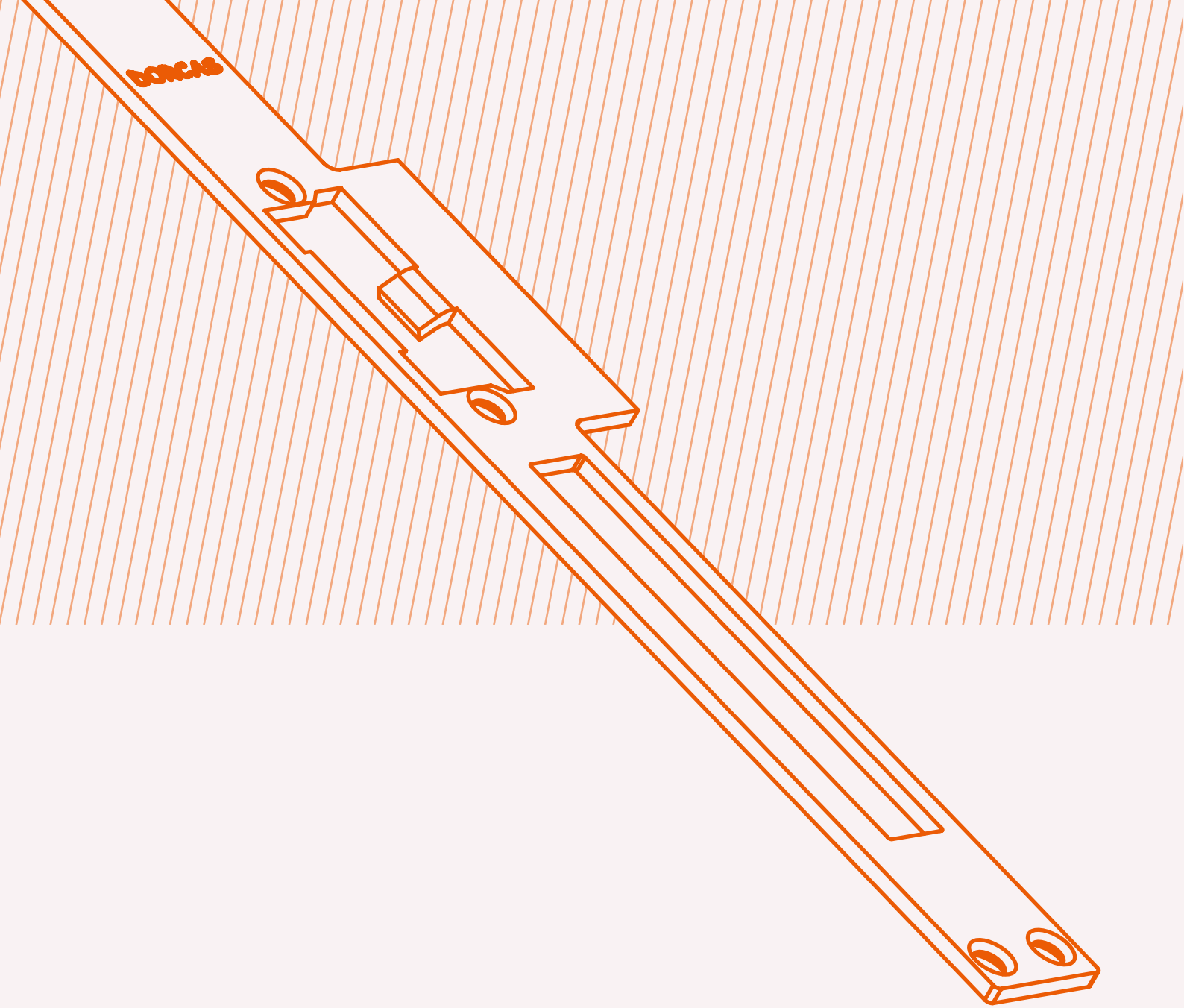
| CODE | DESCRIPTION | STANDARD | DELAY | ACTION (A) | DELAY ACTION INVISIBLE (Aa) | TIMED DELAY ACTION (At) | SLIDING DELAY ACTION (Ab) | FAIL SAFE / 500 | MONITORED (305) | UNLATCHING MECHANISM | ADJUSTABLE JAW | ELECTRICAL AVAILABLE FEATURES *** |
|------|-------------|----------|-------|------------|-----------------------------|-------------------------|---------------------------|-----------------|-----------------|----------------------|----------------|-----------------------------------|
| 8815 | 88N | ● | | | | | | | | | | V AC |
| 8817 | 88A | | ● | | | | | | | | | V AC |
| 8819 | 88AA | | | ● | | | | | | | | V AC |
| 8821 | 88N 412 | ● | | | | | | | | | | 12V DC |
| 8823 | 88A 412 | | ● | | | | | | | | | 12V DC |
| 8827 | 88N 512 | | | | | | ● | | | | | 12V DC |

** 24V version available , simply enter 24 after the CODE. Example: 8822 24
Standard coil of 8Ω, others available.

CODIFICATION EXAMPLE: 8816/10X
DESCRIPTION EXAMPLE: 88 ND/SX

88 Series mechanism box with normal function, UNLATCHING MECHANISM and plate 10 ("S" according to description) stainless steel finishing

For more information about compatible faceplates, see page 56 and following



— FACE PLATES —

DORCAS

DORCAS

FACE PLATES

Dorcas offers you a wide range of mortice plates for combining with our electric releases.

FINISHES

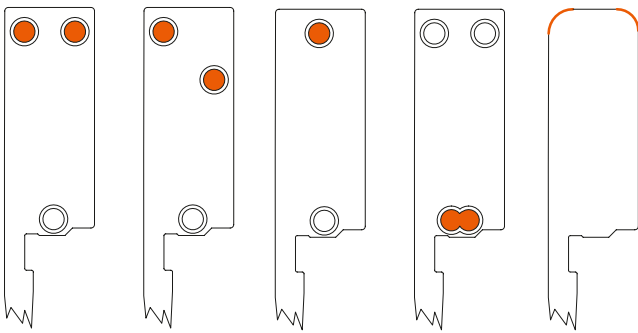
- G Grey Powder Coating
- X Stainless Steel

Each electric release series has its standardized FINISHES. If you require other FINISHES, query delivery times

CODIFICATION EXAMPLE: 10X

Face plate 10 + Stainless Steel

POSSIBILITIES OF SETTING



Different FINISHES for fixing the plate are available, diagonal holes, only one middle hole or a double hole groove for attaching the electric release. Also rounded corner plates under request.

| CODE | REFERENCE |
|------|---------------------|
| 10 | S |
| 11 | S22mm |
| 12 | P |
| 13 | P22mm |
| 14 | B |
| 15 | B22mm |
| 16 | F53 |
| 17 | F54 |
| 18 | SX77 (Din Left) |
| 19 | SX77 (Din Right) |
| 20 | YB |
| 21 | G |
| 22 | M |
| 23 | L |
| 24 | L22mm |
| 25 | T |
| 26 | T22mm |
| 27 | GE |

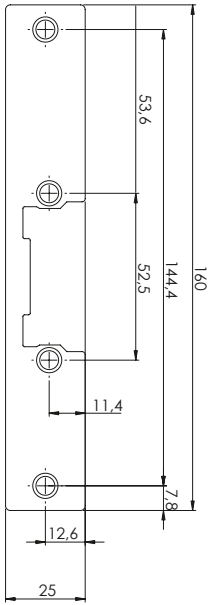
| CODE | REFERENCE |
|------|---------------------|
| 28 | OVAL |
| 29 | F101 |
| 30 | F102 |
| 31 | F103 |
| 32 | F104 |
| 33 | W |
| 34 | GX77 (Din Left) |
| 35 | GX77 (Din Right) |
| 36 | H1 (Din Left) |
| 37 | H1 (Din Right) |
| 38 | YG |
| 39 | H2 (Din Left) |
| 40 | H2 (Din Right) |
| 41 | YS |
| 42 | YL |
| 43 | P47 |
| 44 | R47 |
| 45 | L47 |

FACE PLATES COMPATIBILITY

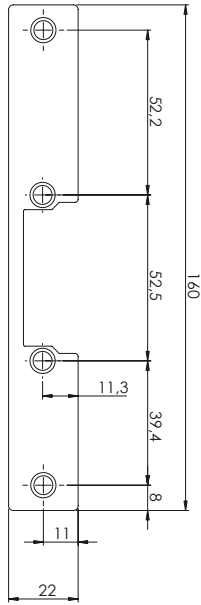
| | SHORT FACE PLATES | | | | | | | | | | | | | | | | | | | LONG FACE PLATES | | | | | | | | | | | | | | | | | | | | | | | | | |
|-----------------|-------------------|----|----|----|----|----|----|----|----|----|----|----|----|----|----|----|----|----|----|------------------|----|----|----|----|----|----|----|----|----|----|----|----|----|----|----|----|---|---|--|--|--|--|--|--|--|
| | 10 | 11 | 12 | 13 | 14 | 15 | 16 | 17 | 18 | 19 | 20 | 41 | 43 | 44 | 21 | 22 | 23 | 24 | 25 | 26 | 27 | 28 | 29 | 30 | 31 | 32 | 33 | 34 | 35 | 36 | 37 | 38 | 39 | 40 | 42 | 45 | | | | | | | | | |
| STANDARD SERIES | 30/58 | ● | - | ● | - | - | - | ● | ● | - | - | - | - | - | ● | ● | ● | ● | ● | ● | ● | ● | ● | ● | ● | ● | ● | ● | ● | - | - | ● | ● | - | - | - | - | | | | | | | | |
| | 45/44 | ● | - | ● | - | ● | - | - | - | - | - | - | - | - | ● | ● | ● | ● | ● | ● | ● | ● | ● | ● | ● | ● | ● | ● | ● | ● | ● | ● | ● | ● | ● | - | - | | | | | | | | |
| | 54 | ● | ● | ● | ● | ● | ● | ● | ● | ● | ● | ● | ● | ● | ● | ● | ● | ● | ● | ● | ● | ● | ● | ● | ● | ● | ● | ● | ● | ● | ● | ● | ● | ● | ● | ● | ● | - | | | | | | | |
| | 41 | ● | ● | ● | ● | ● | ● | ● | ● | ● | ● | ● | ● | ● | ● | ● | ● | ● | ● | ● | ● | ● | ● | ● | ● | ● | ● | ● | ● | ● | ● | ● | ● | ● | ● | ● | ● | - | | | | | | | |
| | 42/43 | ● | ● | ● | ● | ● | ● | ● | ● | ● | ● | ● | ● | ● | ● | ● | ● | ● | ● | ● | ● | ● | ● | ● | ● | ● | ● | ● | ● | ● | ● | ● | ● | ● | ● | ● | ● | - | | | | | | | |
| | 20/21/27 | - | - | - | - | - | - | - | - | - | - | - | - | - | - | - | - | - | - | - | - | - | - | - | - | - | - | - | - | - | - | - | - | - | - | - | - | - | | | | | | | |
| | 22/23 | - | - | - | - | - | - | - | - | - | - | - | - | - | - | - | - | - | - | - | - | - | - | - | - | - | - | - | - | - | - | - | - | - | - | - | - | - | | | | | | | |
| | 65 | - | - | - | - | - | - | - | - | - | - | - | - | - | - | - | - | - | - | - | - | - | - | - | - | - | - | - | - | - | - | - | - | - | - | - | - | - | | | | | | | |
| 66 | - | - | - | - | - | - | - | - | - | - | - | - | - | - | - | - | - | - | - | - | - | - | - | - | - | - | - | - | - | - | - | - | - | - | - | - | - | | | | | | | | |
| 80 | - | - | - | - | - | - | - | - | - | - | - | - | - | - | - | - | - | - | - | - | - | - | - | - | - | - | - | - | - | - | - | - | - | - | - | - | - | | | | | | | | |
| 34 | ● | ● | ● | ● | ● | ● | ● | ● | ● | ● | ● | ● | ● | ● | ● | ● | ● | ● | ● | ● | ● | ● | ● | ● | ● | ● | ● | ● | ● | ● | ● | ● | ● | ● | ● | ● | ● | | | | | | | | |
| SPECIAL SERIES | 99 | ● | ● | ● | ● | ● | ● | ● | ● | ● | ● | ● | ● | ● | ● | ● | ● | ● | ● | ● | ● | ● | ● | ● | ● | ● | ● | ● | ● | ● | ● | ● | ● | ● | ● | ● | ● | | | | | | | | |
| | 99TOP | ● | ● | ● | ● | ● | ● | ● | ● | ● | ● | ● | ● | ● | ● | ● | ● | ● | ● | ● | ● | ● | ● | ● | ● | ● | ● | ● | ● | ● | ● | ● | ● | ● | ● | ● | ● | ● | | | | | | | |
| | 56 | ● | - | ● | - | ● | - | ● | - | ● | - | ● | - | ● | - | ● | - | ● | - | ● | - | ● | - | ● | - | ● | - | ● | - | ● | - | ● | - | ● | - | ● | - | ● | | | | | | | |
| | 62* | ● | - | ● | - | ● | - | ● | - | ● | - | ● | - | ● | - | ● | - | ● | - | ● | - | ● | - | ● | - | ● | - | ● | - | ● | - | ● | - | ● | - | ● | - | ● | | | | | | | |
| | 48 | - | - | - | - | - | - | - | - | - | - | - | - | - | - | - | - | - | - | - | - | - | - | - | - | - | - | - | - | - | - | - | - | - | - | - | - | - | | | | | | | |
| | 50 | ● | ● | ● | ● | ● | ● | ● | ● | ● | ● | ● | ● | ● | ● | ● | ● | ● | ● | ● | ● | ● | ● | ● | ● | ● | ● | ● | ● | ● | ● | ● | ● | ● | ● | ● | ● | ● | | | | | | | |
| | 52 | ● | ● | ● | ● | ● | ● | ● | ● | ● | ● | ● | ● | ● | ● | ● | ● | ● | ● | ● | ● | ● | ● | ● | ● | ● | ● | ● | ● | ● | ● | ● | ● | ● | ● | ● | ● | ● | | | | | | | |
| | 77 | - | - | - | - | - | - | - | - | ● | ● | - | - | - | - | - | - | - | - | - | - | - | - | - | - | - | - | - | - | - | - | - | - | - | - | - | - | - | | | | | | | |
| | 82/82P | - | - | - | - | - | - | - | - | - | - | - | - | - | - | - | - | - | - | - | - | - | - | - | - | - | - | - | - | - | - | - | - | - | - | - | - | - | | | | | | | |
| | 83 | - | - | - | - | - | - | - | - | - | - | - | - | - | - | - | - | - | - | - | - | - | - | - | - | - | - | - | - | - | - | - | - | - | - | - | - | - | | | | | | | |
| | 87 | - | - | - | - | - | - | - | - | - | - | - | - | - | - | - | - | - | - | - | - | - | - | - | - | - | - | - | - | - | - | - | - | - | - | - | - | - | | | | | | | |
| | 47 | - | - | - | - | - | - | - | - | - | - | - | ● | ● | - | - | - | - | - | - | - | - | - | - | - | - | - | - | - | - | - | - | - | - | - | - | ● | - | | | | | | | |
| 46 | - | - | - | - | - | - | - | - | - | - | - | - | - | - | - | - | - | - | - | - | - | - | - | - | - | - | - | - | - | - | - | - | - | - | - | - | - | | | | | | | | |
| 84 | - | - | - | - | - | - | - | - | - | - | - | - | - | - | - | - | - | - | - | - | - | - | - | - | - | - | - | - | - | - | - | - | - | - | - | - | - | | | | | | | | |
| 88 | - | - | - | - | - | - | - | - | - | - | - | - | - | - | - | - | - | - | - | - | - | - | - | - | - | - | - | - | - | - | - | - | - | - | - | - | - | | | | | | | | |

- Face plate not compatible with the model
 ● Face plate compatible with the model
 ● Face plate compatible in 90 mm version. See hand for 104mm version
 * 62 Series needs a modification on the face plate for commutation version. Ask if want to order another face plate.

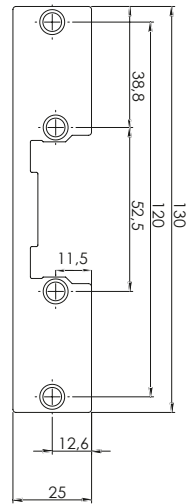
S (10)



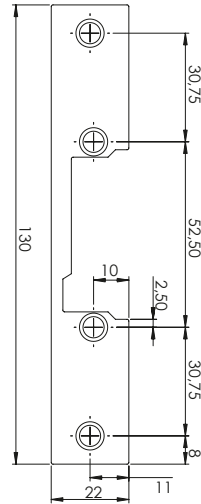
S22mm (11)



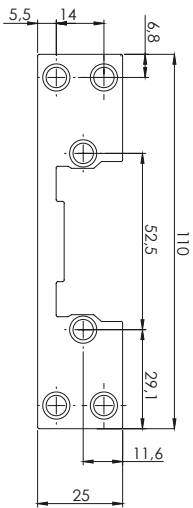
P (12)



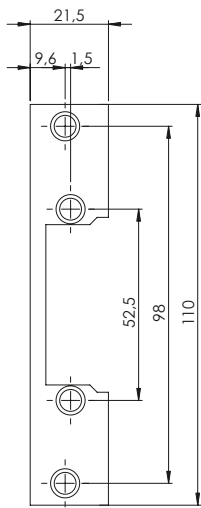
P22mm (13)



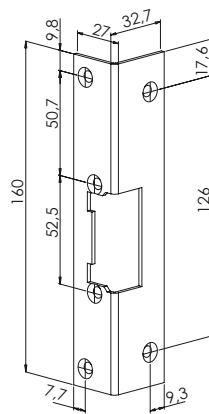
B (14)



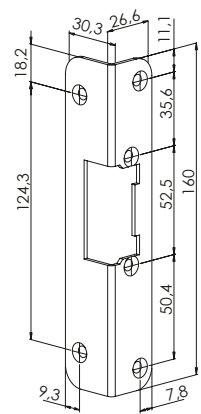
B22mm (15)



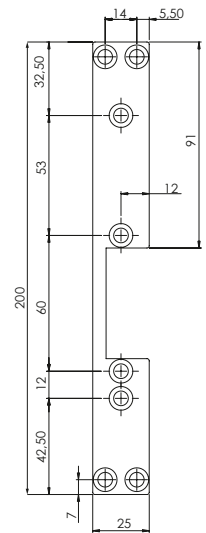
F53 (16)



F54 (17)

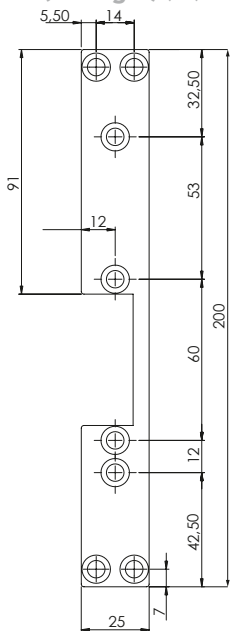


SX77
(Din left) (18)

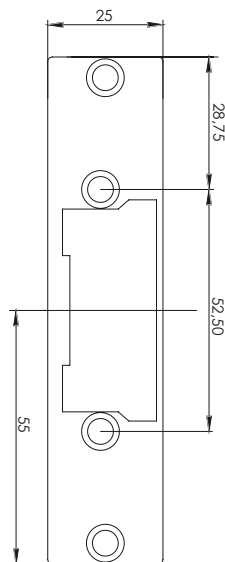


SX77

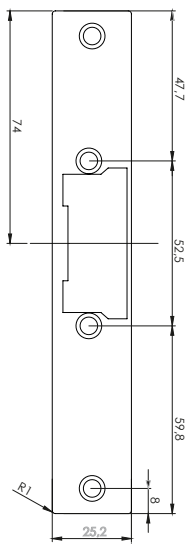
(Din right) (19)



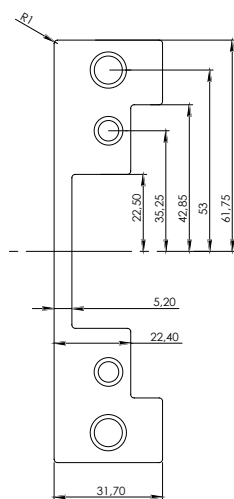
YB (20)



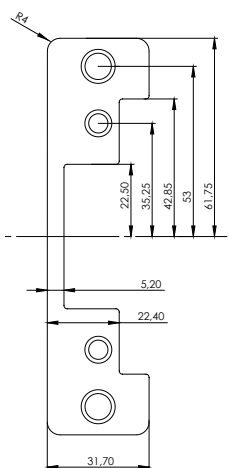
YS (41)



P47 (43)

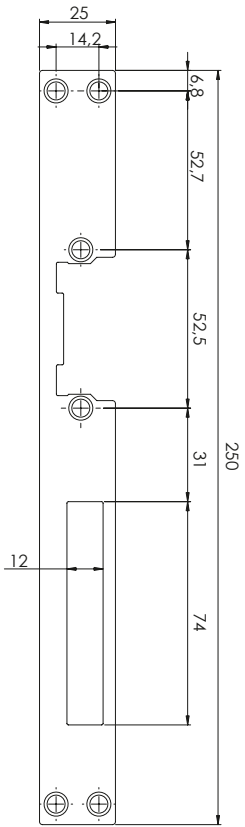


R47 (44)

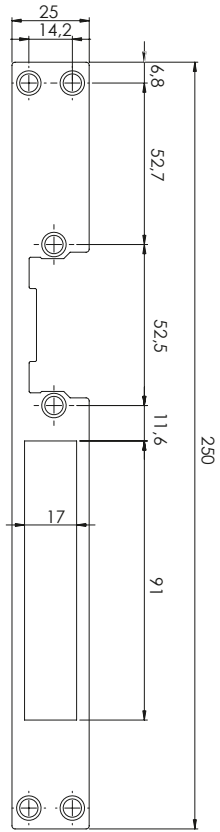


LONG PLATES

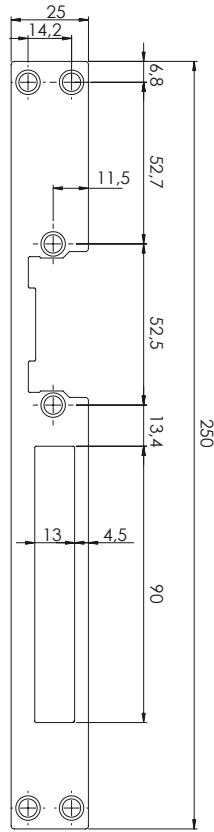
G (21)



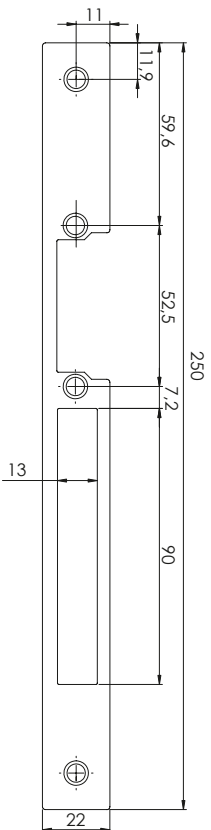
M (22)



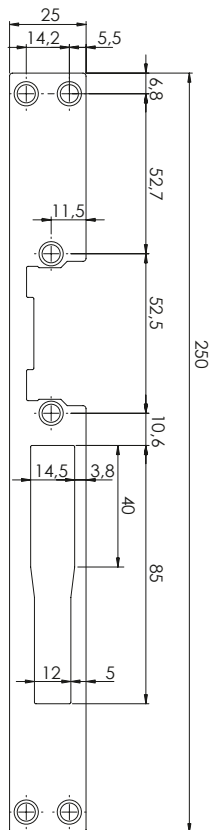
L (23)



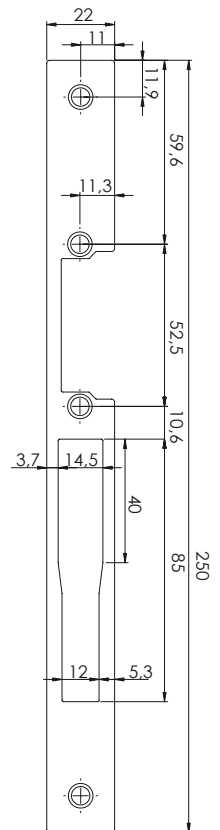
L22mm (24)



T (25)



T22mm (26)



ELECTRIC RELEASE

PLATES

ELECTRIC LOCKS

SECURITY CYLINDER SHIELDS

ELECTROMAGNETIC LOCKS

ACCESS CONTROLS

DOOR CLOSER

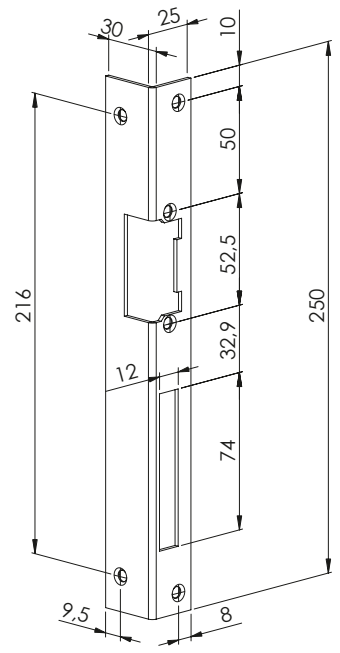
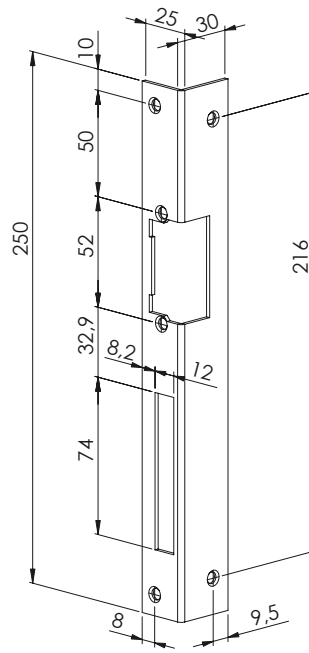
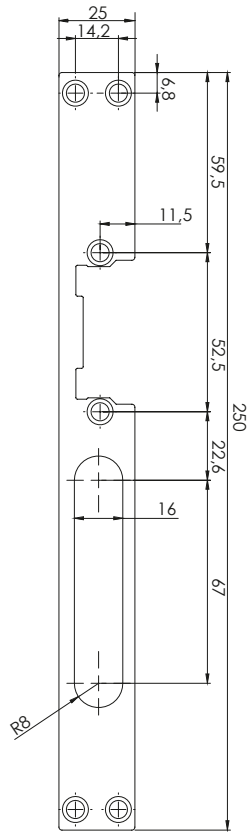
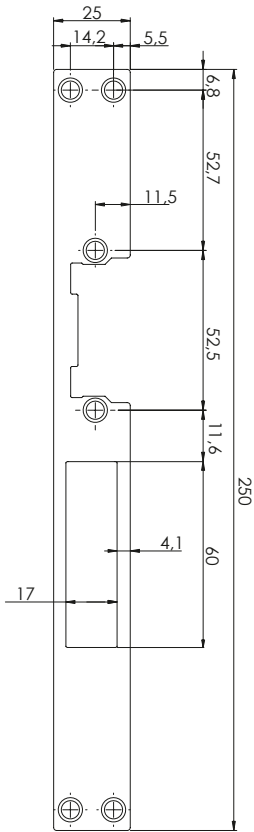
ACCESSORIES

GE (27)

OVAL (28)

F101 (29)

F102 (30)

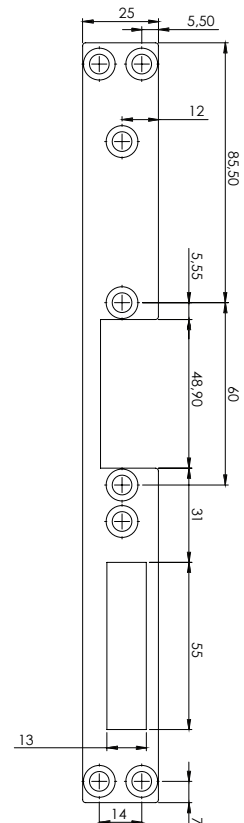
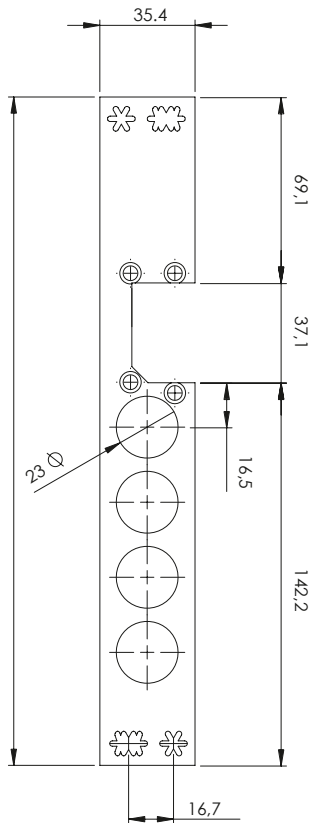
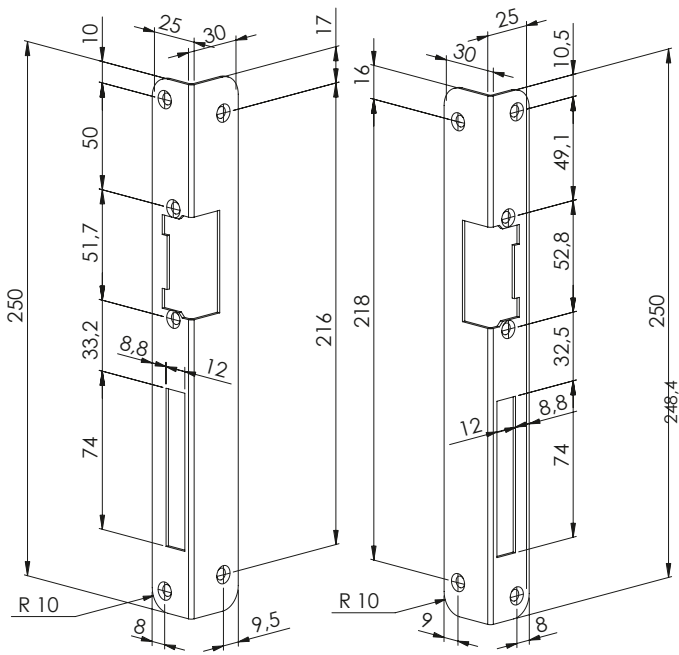


F103 (31)

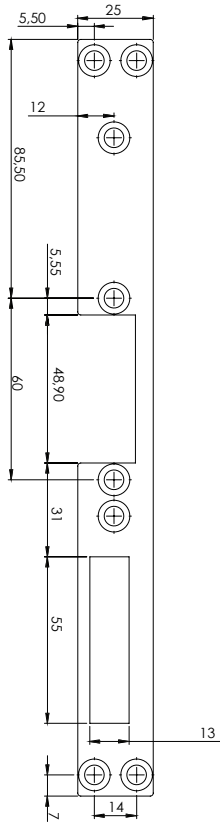
F104 (32)

W (33)

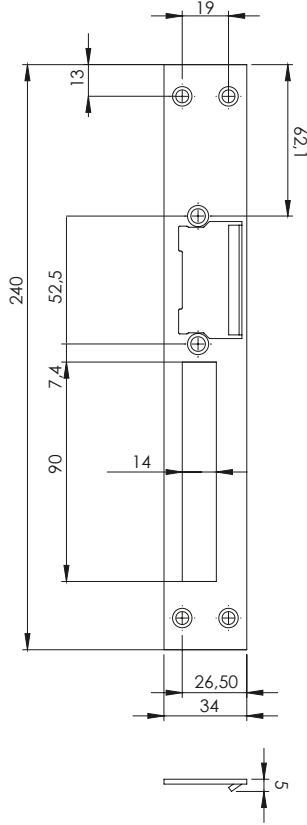
GX77 (Din left) (34)



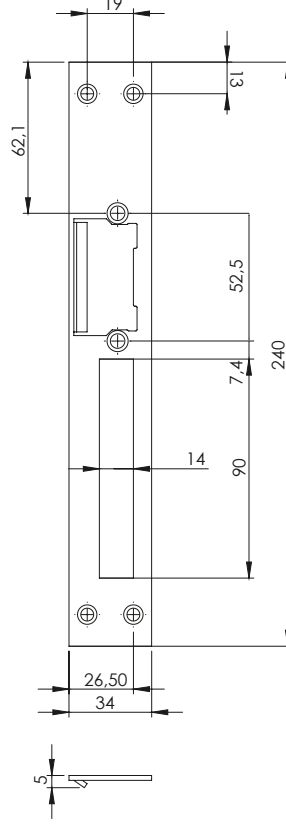
GX77
(Din right) (35)



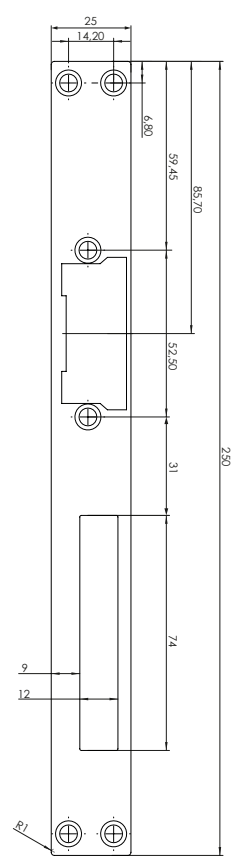
H1
(Din left) (36)



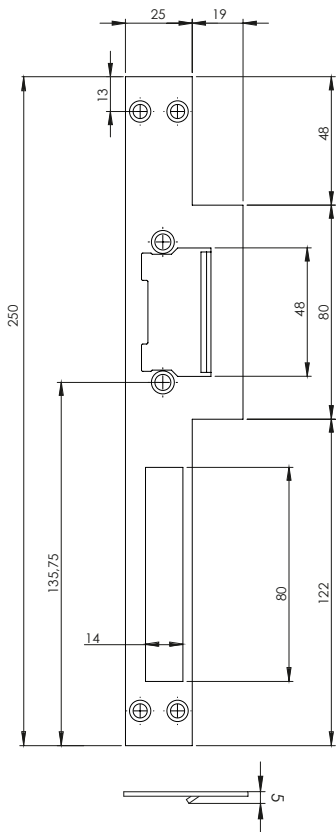
H1
(Din right) (37)



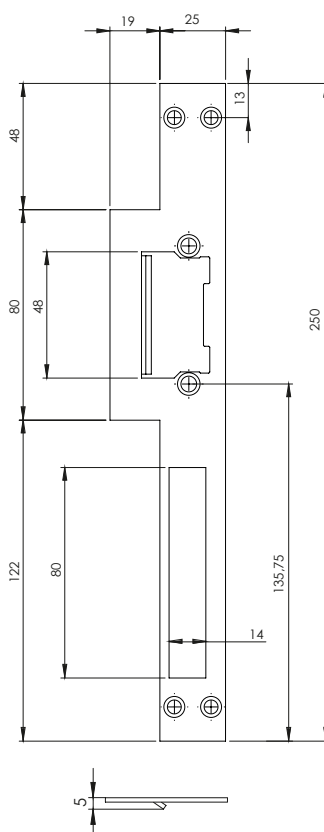
YG (38)



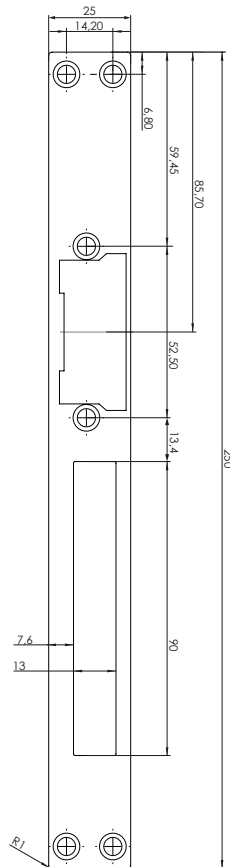
H2
(Din left) (39)



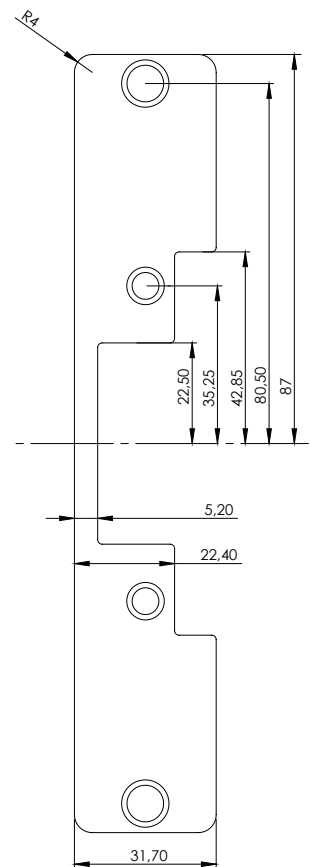
H2
(Din right) (40)

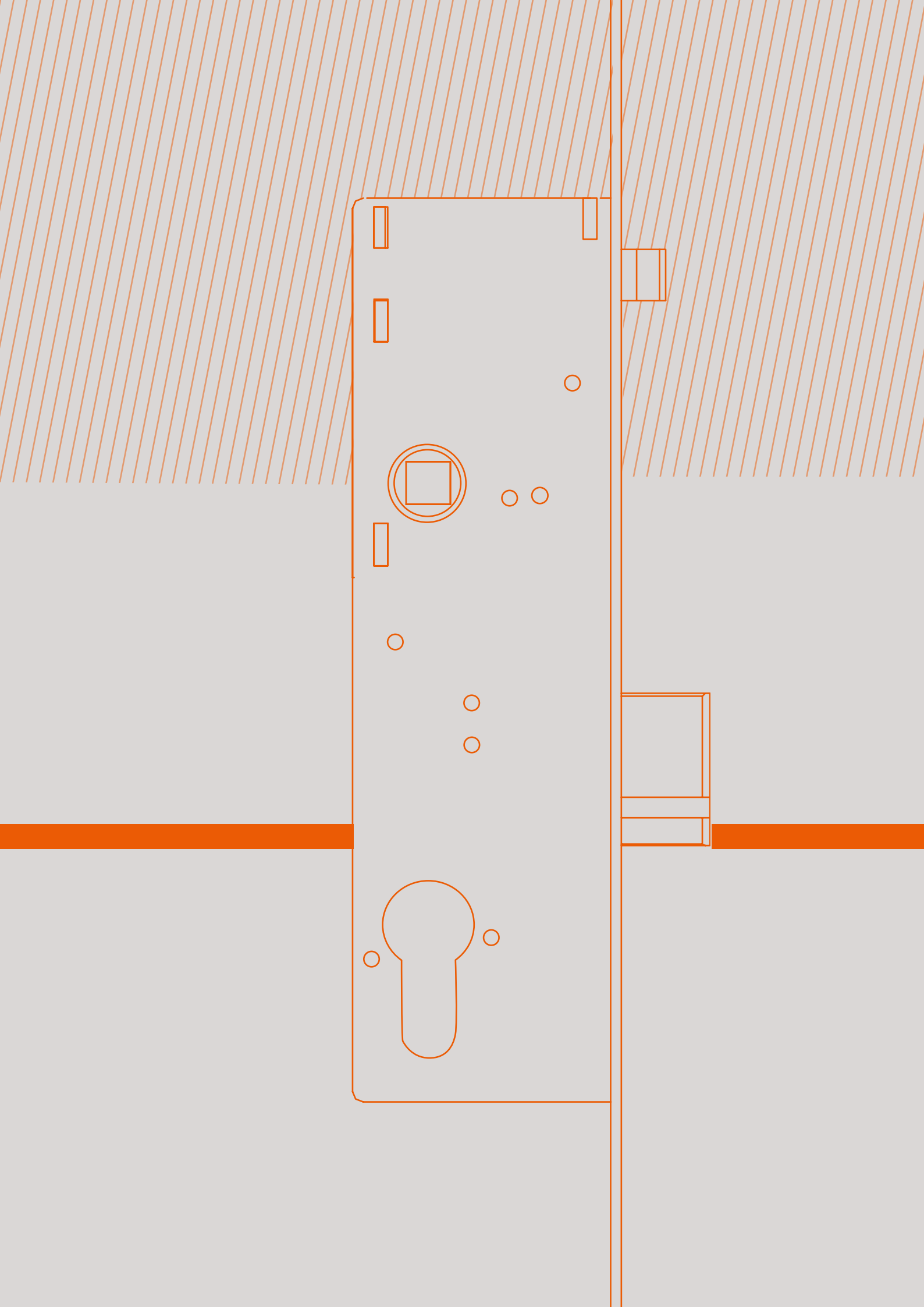


YL (42)



L47 (45)





ELECTRIC LOCKS

DORCAS

ACCESSORIES

DOOR CLOSER

ACCESS
CONTROLS

ELECTROMAGNETIC
LOCKS

SECURITY
CYLINDER SHIELDS

ELECTRIC LOCKS

PLATES

ELECTRIC STRIKES

DORCAS DUO



Electric lock bolt "DUO" consists of an electrical part (Duo E) installed on the door frame and a mechanical part embedded in the door (Duo Mec). When it closes, a precharged part enters into the bolt automatically. If we close manually, always the automatic locks is activated, we can also use a key for this. Therefore, the safety and comfort that Duo provides is very significant. Lock is very solid and has anticard system for thieves. Easy to install with the ajustment supplies, that also fixes the appropriate distance between the electric part and the mechanical part. The sizes of both parts in line with most common locks and releases. That is why it is an ideal solution for replacements.



- NEIGHTBOURHOODS
- COMFORT
- VERSATILE
- EASY TO INSTALL

| DUO MODEL | BACKSET | WIDTH* (C) |
|------------|---------|------------|
| DUO 20/85* | 20 mm | 34 mm |
| DUO 25/85 | 25 mm | 39 mm |
| DUO 30/85 | 30 mm | 44 mm |
| DUO 35/85 | 35 mm | 49 mm |
| DUO 40/85 | 40 mm | 54 mm |
| DUO 50/85 | 50 mm | 64 mm |
| DUO 60/85 | 60 mm | 74 mm |

*Duo 20/85 has no automatic lock

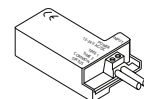


TECHNICAL CHARACTERISTICS

| High | 268,7 mm | | | | |
|------------------------------------|---------------------------|--------|--------|--------|-----------------|
| Width | * mm | | | | |
| Depth | 25,3 mm | | | | |
| Cycles tested on power electricity | 200.000 | | | | |
| Operating temperature range | -10 °C a +50 °C | | | | |
| | STANDARD DUO · MONITORING | | | | DAY & NIGHT DUO |
| | 12 VAC | 12 VDC | 24 VAC | 24 VDC | 12 VAC/DC |
| Coil resistance (Ω) | 8 | 8 | 32 | 32 | 10 |
| VDC consumption (mA) | | 1500 | | 750 | 1200 |
| VAC consumption (mA) | 1200 | | 600 | | 960 |
| Stationary VDC consumption (mA) | | | | | 80 |
| VAC Stationary consumption (mA) | | | | | 170 |

BOOSTER

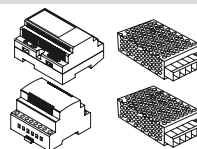
It is recommended in installations where the functioning voltage is not guaranteed



POWER SUPPLIES

For a suitable performance we recommend:

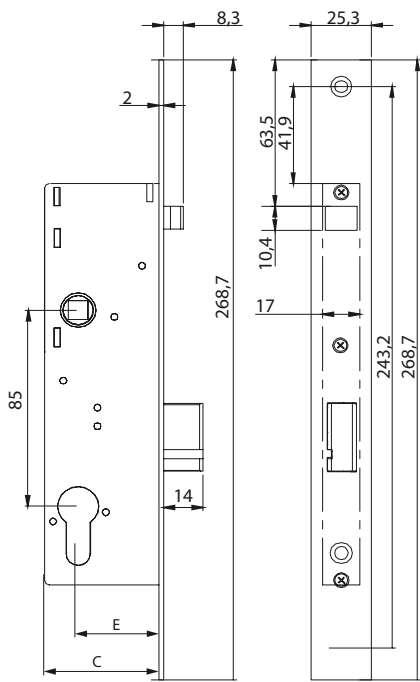
AC 12V TF3
AC 24V TF8



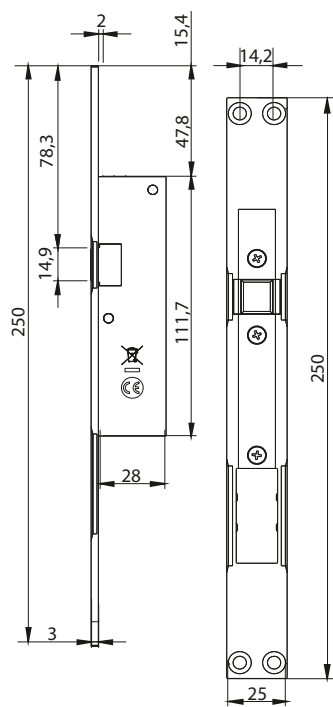
DC 12V

DC 24V Accessories section page 106

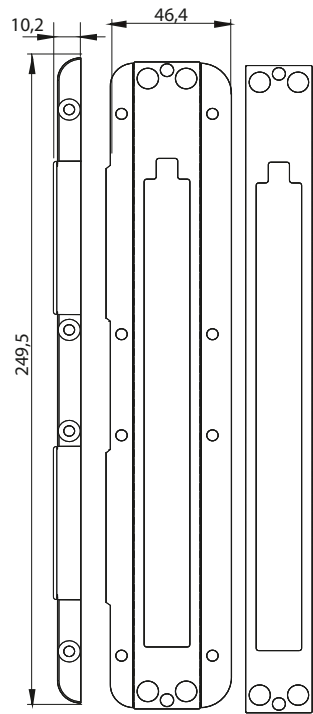
MECHANICAL PART



ELECTRICAL PART



SUPPLEMENTS



| CODE | BACKSET | ELECTRICAL PART | MECHANICAL PART | BOOSTER |
|---------------|---------|-----------------|-----------------|---------|
| DUO 20/85 | 20 mm | ● | ● | |
| DUO 25/85 | 25 mm | ● | ● | |
| DUO 25/85 MEC | 25 mm | | ● | |
| DUO 30/85 | 30 mm | ● | ● | |
| DUO 30/85 MEC | 30 mm | | ● | |
| DUO 35/85 | 35 mm | ● | ● | |
| DUO 35/85 MEC | 35 mm | | ● | |
| DUO 40/85 | 40 mm | ● | ● | |
| DUO 40/85 MEC | 40 mm | | ● | |
| DUO 50/85 | 50 mm | ● | ● | |
| DUO 50/85 MEC | 50 mm | | ● | |
| DUO 60/85 | 60 mm | ● | ● | |
| DUO 60/85 MEC | 60 mm | | ● | |
| DUO E | | Common | | |
| ET | | | | ● |

Reference is composed by "DUO" plus the distance between frontal to lock / distance between lock and handle.
 Booster available for 20/85 DUO model.

CODIFICATION EXAMPLE: DUO 50/85

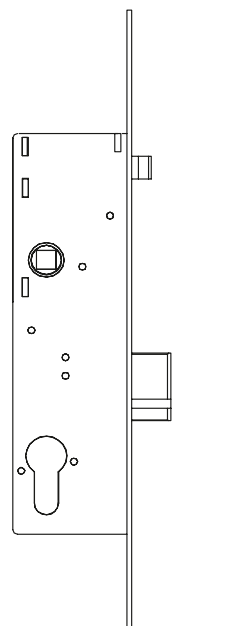
Electric lock DUO with 50mm between frontal to lock and 85mm between lock and handle

It is served in VAC. If you wish VDC please write VDC after the reference

MECHANICAL DUO PART

Designed for installations that do not require electrical wiring. You can replace Duo E by a plate that enables the Duo Mec bolt to enter in the frame. It is an ideal choice for intermediate doors, storage rooms, neighbours communities...

- NO NEED OF WIRING
- SPECIALLY DESIGNED FOR STORAGE ROOMS, PARKINGS OR INTERMEDIATE DOORS



| CODE | BACKSET | ELECTRICAL PART | MECHANICAL PART | BOOSTER |
|-------------|---------|-----------------|-----------------|---------|
| DUO 20/85 M | 20 mm | | ● | |
| DUO 25/85 M | 25 mm | | ● | |
| DUO 30/85 M | 30 mm | | ● | |
| DUO 35/85 M | 35 mm | | ● | |
| DUO 40/85 M | 40 mm | | ● | |
| DUO 50/85 M | 50 mm | | ● | |
| DUO 60/85 M | 60 mm | | ● | |

CODIFICATION EXAMPLE: DUO 50/85 MF

Electric lock Mechanical DUO with 50mm between frontal to lock and 85mm between lock and handle

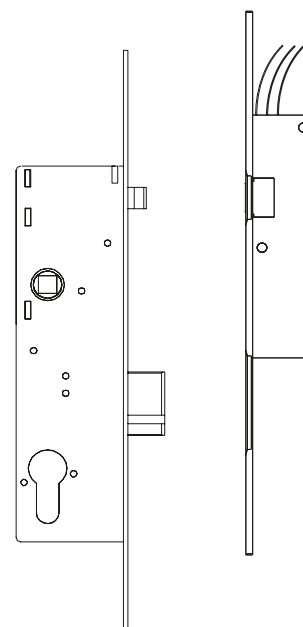
MONITORING DUO

It incorporates a third wire output that enables a open/closed signal, activating an alarm or any additional function. It was developed for its use in systems with some kind of access controls.

- THIRD WIRES OUTPUT
- SPECIALLY DESIGNED FOR ACCESS CONTROLS

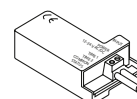
| CODE | BACKSET | ELECTRICAL PART | MECHANICAL PART | BOOSTER |
|---------------|---------|-----------------|-----------------|---------|
| DUO 20/85 305 | 20 mm | ● | ● | |
| DUO 25/85 305 | 25 mm | ● | ● | |
| DUO 30/85 305 | 30 mm | ● | ● | |
| DUO 35/85 305 | 35 mm | ● | ● | |
| DUO 40/85 305 | 40 mm | ● | ● | |
| DUO 50/85 305 | 50 mm | ● | ● | |
| DUO 60/85 305 | 60 mm | ● | ● | |
| DUO E 305 | Common | | | ● |
| ET | | | | ● |

For monitoring DUO (305) electric and mechanical parts are specific. For replacement are both necessary.



BOOSTER

Use in combination with the DUO in installations where the operating voltage is not guaranteed is recommended.



CODIFICATION EXAMPLE: DUO 25/85 CM

Electric lock monitored with 25 mm between frontal to lock and 85 mm between lock and handle.

It is served in VAC. If you wish VDC please write VDC after the reference

NIGHT and DAY DUO

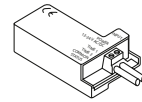
In this version of Duo you can habilitate a separate button in which a pulse disarms the electrical part and the door is open, a new pulse resets the lock once we have opened and then closed the door. It has been developed for situation where someone controls the accesces during certain hours of the day (neighbour doorkeepers, businesses...)

- ELECTRONIC DELAY ACTION
- SPECIALLY DESIGNED NEIGHBOURS DOORKEEPERS, BUSINESSES

| CODE | BACKSET | ELECTRICAL PART | MECHANICAL PART | BOOSTER |
|--------------|---------|-----------------|-----------------|---------|
| DUO 20/85 DN | 20 mm | ● | ● | |
| DUO 25/85 DN | 25 mm | ● | ● | |
| DUO 30/85 DN | 30 mm | ● | ● | |
| DUO 35/85 DN | 35 mm | ● | ● | |
| DUO 40/85 DN | 40 mm | ● | ● | |
| DUO 50/85 DN | 50 mm | ● | ● | |
| DUO 60/85 DN | 60 mm | ● | ● | |
| DUO E DN | Common | | | |
| ET | | | | ● |

BOOSTER

Use in combination with the DUO in installations where the operating voltage is not guaranteed is recommended.

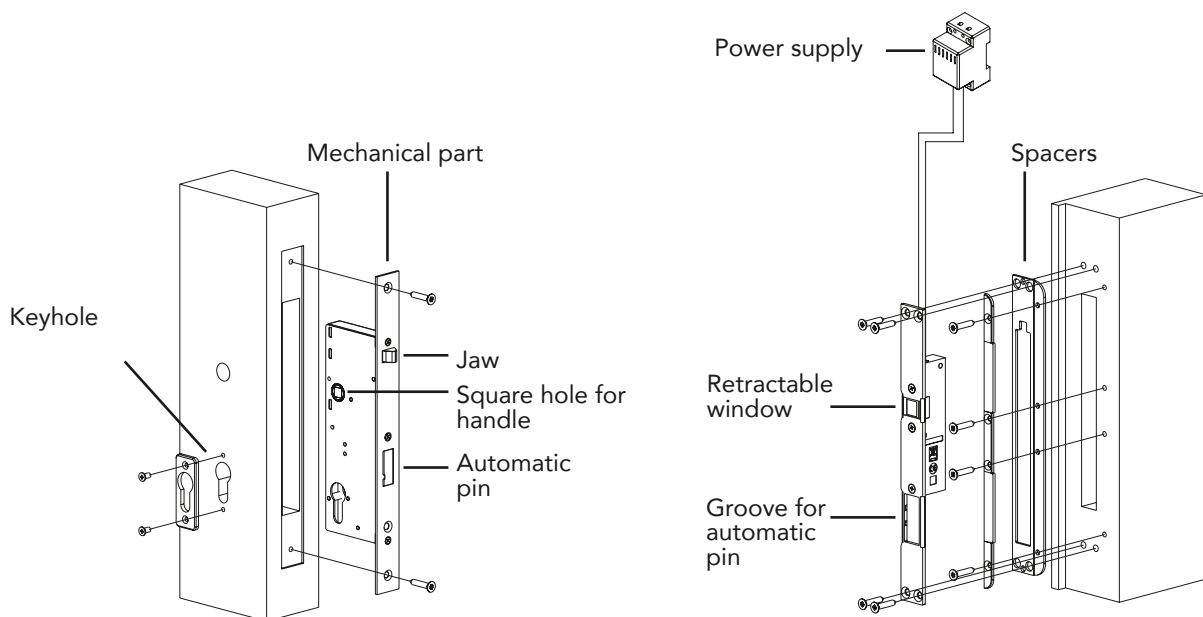


CODIFICATION EXAMPLE: DUO 35/85 DN

Electric lock Night and Day DUO with 35mm between frontal to lock and 85mm between lock and handle

Works in VDC.

INSTALLATION DRAWING



ELECTRIC STRIKES

PLATES

ELECTRIC LOCKS

SECURITY CYLINDER SHIELDS

ELECTROMAGNETIC LOCKS

ACCESS CONTROLS

DOOR CLOSER

ACCESSORIES

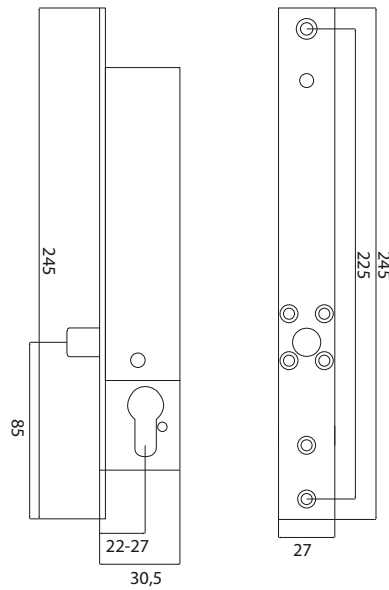
New

DORCAS

ELECTRIC DROPBOLT V10

Electric bolt provided with adjustable timing. It works from 12 to 24V in VDC. It works both in fail safe mode and fail secure mode. It is suitable for double doors and have a monitoring sensor which identifies the position of the door. It is stainless steel made and fireproof

- SLIM/NARROW
- TIMED DELAY
- FAIL SECURE - FAIL SAFE
- MONITORING
- MECHANICAL OR ELECTRICAL OPENING

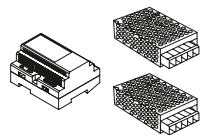


| TECHNICAL CHARACTERISTICS | Electric bolt / Faceplate | | | |
|---------------------------------|---------------------------------------|-----------------|---------------|---------------|
| High | 150 mm / 245 mm | | | |
| Width | 27 mm / 27 mm | | | |
| Depth | 38,5 mm / 3 mm | | | |
| Operating temperature range | -20 °C to +50 °C | | | |
| Monotoring | Double: Door and close status sensor. | | | |
| Timed | Choose between 0, 3 and 6 seconds. | | | |
| Material | Stainless steel | | | |
| | Fail secure 412 | Fail secure 424 | Fail safe 512 | Fail safe 524 |
| | 12 VDC | 24 VDC | 12 VDC | 24 VDC |
| VDC consumption (mA) | 1500 | 850 | 1500 | 850 |
| VDC Stationary consumption (mA) | 200 | 300 | 200 | 300 |

POWER SUPPLIES

For a suitable performance we recommend:

AC 12V TF3



DC 12V

Accessories section page 106

DC 24V

CODE

V10

Electric dropbolt V10

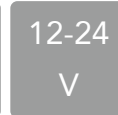
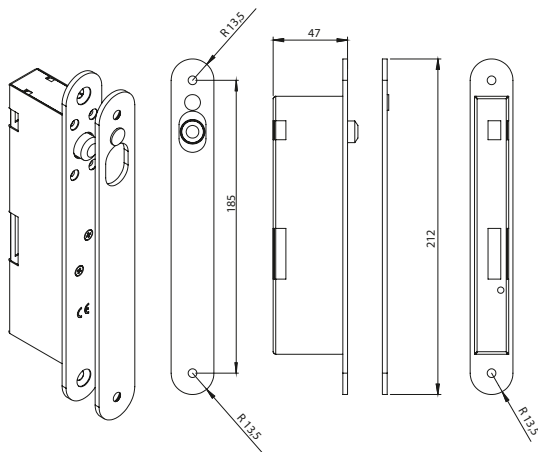
CODIFICATION EXAMPLE: V10

Electric dropbolt V10

ELECTRIC DROPBOLT V7

V7 Electric bolt functions in a normally closed position; when the door is closed the bolt is receiving power, when the power is cut the bolt hides and the door opens. When the door is closed again, a built in magnet detects the position and activates the bolt locking the door again. The device is very narrow (22mm) making V7 suitable for all type doors, it is Non handed too and is optimum for banks, access controls, security installations...

- REINFORCED PIN
- SLIM/NARROW
- 12-24 VAC/VDC
- EASY TO INSTALL
- TIMED DELAY ACTION
- MONITORING



| TECHNICAL CHARACTERISTICS | Electric bolt / Faceplate | |
|---------------------------------|---------------------------|---------------|
| High | 212 mm / 212 mm | |
| Width | 27 mm / 27 mm | |
| Depth | 47 mm / 3 mm | |
| Operating temperature range | -20° C a +50 °C | |
| | Fail safe 512 | Fail safe 524 |
| | 12 VDC | 24 VDC |
| VDC consumption (mA) | 1000 | 600 |
| VDC Stationary consumption (mA) | 200 | 130 |

| | | | | |
|-----------------------|---|--------|-----|------------------------------|
| POWER SUPPLIES | For a suitable performance we recommend: | DC 12V | TF5 | Accessories section page 106 |
| | | | | |

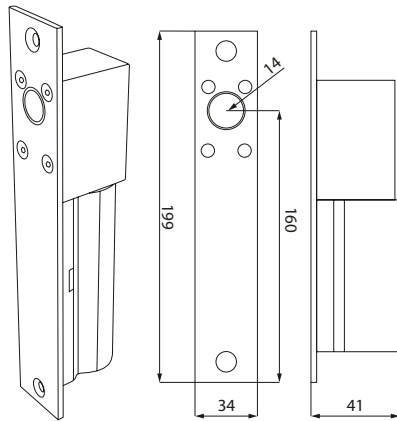
| CODE | |
|------|-----------------------------|
| V7 | Electric dropbolt V7 |
| V70 | Rim installation accesories |

CODIFICATION EXAMPLE: V7 Electric dropbolt V7

ELECTRIC DROPBOLT V11

V11 Electric bolt works in "fail safe" mode protecting user's safety in situations of power failure. It operates at 12VDC and has 4 levels of opening timing (0, 3, 6 and 9 seconds). The lock has a built in sensor on the bolt that monitors if the door is open or closed.

- TIMED DELAY ACTION
- MONITORING
- LOW CONSUMPTION



TECHNICAL CHARACTERISTICS

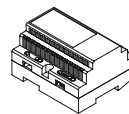
| | |
|---------------------------------|---------------------------------------|
| High | 199 mm |
| Width | 34 mm |
| Depth | 41 mm |
| Operating temperature range | - |
| Monitoring | Door and bolt sensor. |
| Timed | Choose between 0, 3, 6 and 9 seconds. |
| Material | Aluminium |
| | Fail safe 512 |
| | 12 VDC |
| VDC consumption (mA) | 800 |
| VDC Stationary consumption (mA) | 90 |

POWER SUPPLIES

For a suitable performance we recommend:

DC 12V

TF4



Accessories section page 106

CODE

V11

Electric dropbolt V11

CODIFICATION EXAMPLE: V11

Electric dropbolt V11

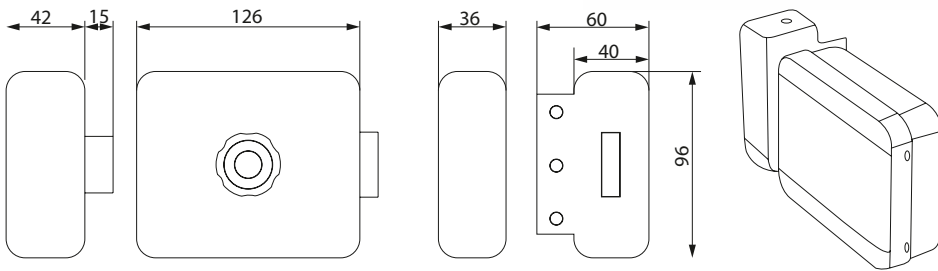
New

DORCAS

ELECTRIC RIM LOCK D94

D94 is a Non handed motorized rim mounted installation electric lock. It has a beeper indicator of opening and closing and a autoblocking jaw function. It can be connected to all kind of access controls and stands out for its low electric consumption. The opening can be done by remote control, card access (up to 2000 users)

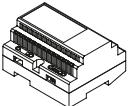
- MONITORING
- SUITABLE WITH ALL ACCESS CONTROL TYPES
- STRENGTH
- SILENT
- LED INDICATOR
- LOW CONSUMPTION



TECHNICAL CHARACTERISTICS

| | |
|---------------------------------|------------------|
| High | 96 mm |
| Width | 126 mm |
| Depth | 42mm |
| | 12 VDC |
| VDC consumption (mA) | 100 |
| VDC Stationary consumption (mA) | 60 |
| Read range | 5-15 meters |
| Number of users | 2000 |
| Wireless remote control | Up to 500 meters |
| Status Indicator | Led |

CODE
D94 Motorized electric rim lock

POWER SUPPLIES For a suitable performance we recommend: DC 12V TF4  Accessories section page 106

ELECTRIC STRIKES

PLATES

ELECTRIC LOCKS

SECURITY CYLINDER SHIELDS

ELECTROMAGNETIC LOCKS

ACCESS CONTROLS

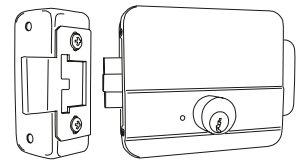
DOOR CLOSER

ACCESSORIES

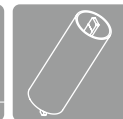
DORCAS

ELECTRIC RIM LOCK D96

D96 is a Non handed adjustable external cylinder (50 -70mm) rim installation lock. It works both in AC and DC, is waterproof and its coil is sealed. The outer cylinder has a standard length of 50mm. With the "CL" extension you can give a cylinder maximum length of 90mm. D96/B variant incorporates a button that habilitates just the electric opening function.



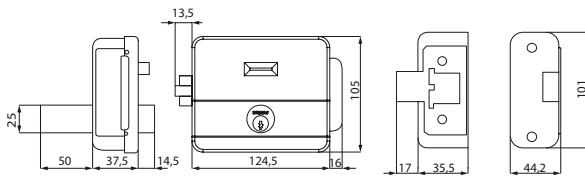
- UNIVERSAL
- NON HANDED
- ADJUSTABLE EXTERNAL CYLINDER
- AC/DC
- WATERPROOF COIL



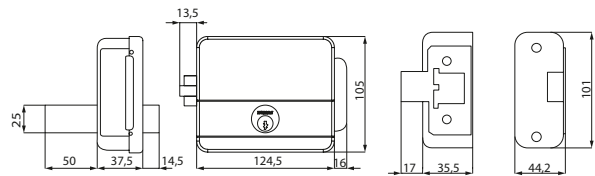
TECHNICAL CHARACTERISTICS

| | | |
|---|----------|--------|
| High | 105 mm | |
| Width | 124,5 mm | |
| Depth | 37,5 mm | |
| | 12 VDC | 12 VAC |
| Coil resistance (Ω) (Ω) | 7,3 | 7,3 |
| VDC consumption (mA) | 1700 | |
| VAC consumption (mA) | | 815 |

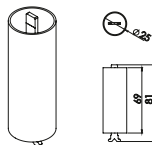
D96/B



D96/C



CYLINDER EXTENSION

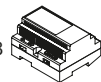


POWER SUPPLIES

For a suitable performance we recommend:

AC 12V

TF3



DC 12V

Accessories section page 106

CODE

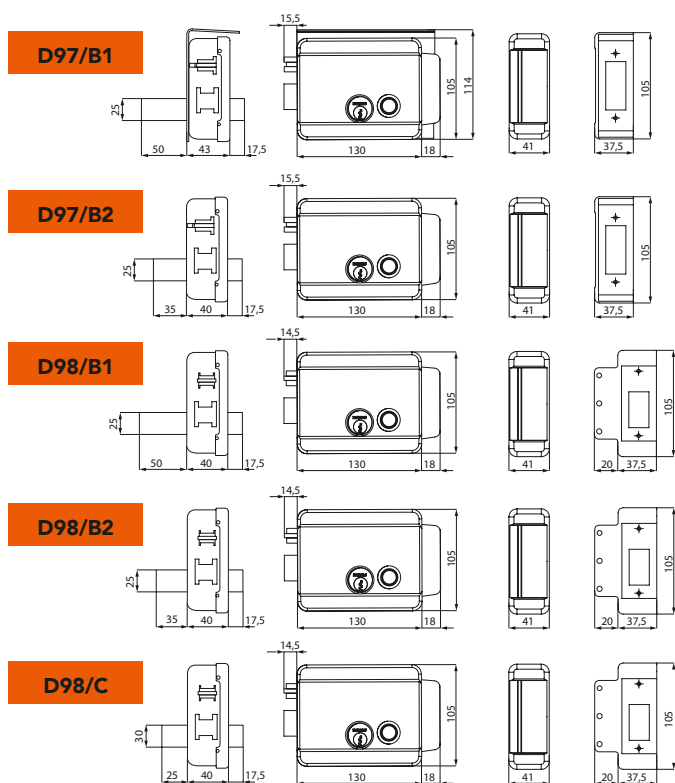
| | |
|-------|-------------------------------------|
| D96/B | Inside button or electrical opening |
| D96/C | Inside key opening |
| CL | Cylinder Extension |

ELECTRIC RIM LOCK D97-D98

D97 is a surface rim installation lock with regulable external cylinder, long wires output and a top cover. It is available for Din right or din left and is provided with 5 keys. It works in DC and it's color is grey. It has an inside cylinder that blocks the opening button with the key. We can also used for only electric opening.

D98 stands out for its inside and outside opening function. The direction of the blocking can be reversed manually, the external cylinder is regulable and the inside cylinder allows to block the button. It is provided with 5 keys and there are Din right and Din left versions available.

- LONG WIRES OUTPUT
- INTERNAL CYLINDER WHICH ALLOWS THE OPENING BUTTON BLOCK
- INDICATED FOR INSIDE AND OUTSIDE OPENING
- MANUAL UNLOCKING AVAILABLE

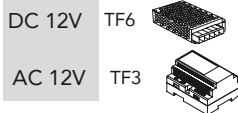


TECHNICAL CHARACTERISTICS

| | |
|----------------------------|------------|
| High | 96 mm |
| Width | 126 mm |
| Depth | 42 mm |
| | 12 VDC/VAC |
| Coil resistance (Ω) | 4 |
| VDC power consumption (mA) | 3000 |

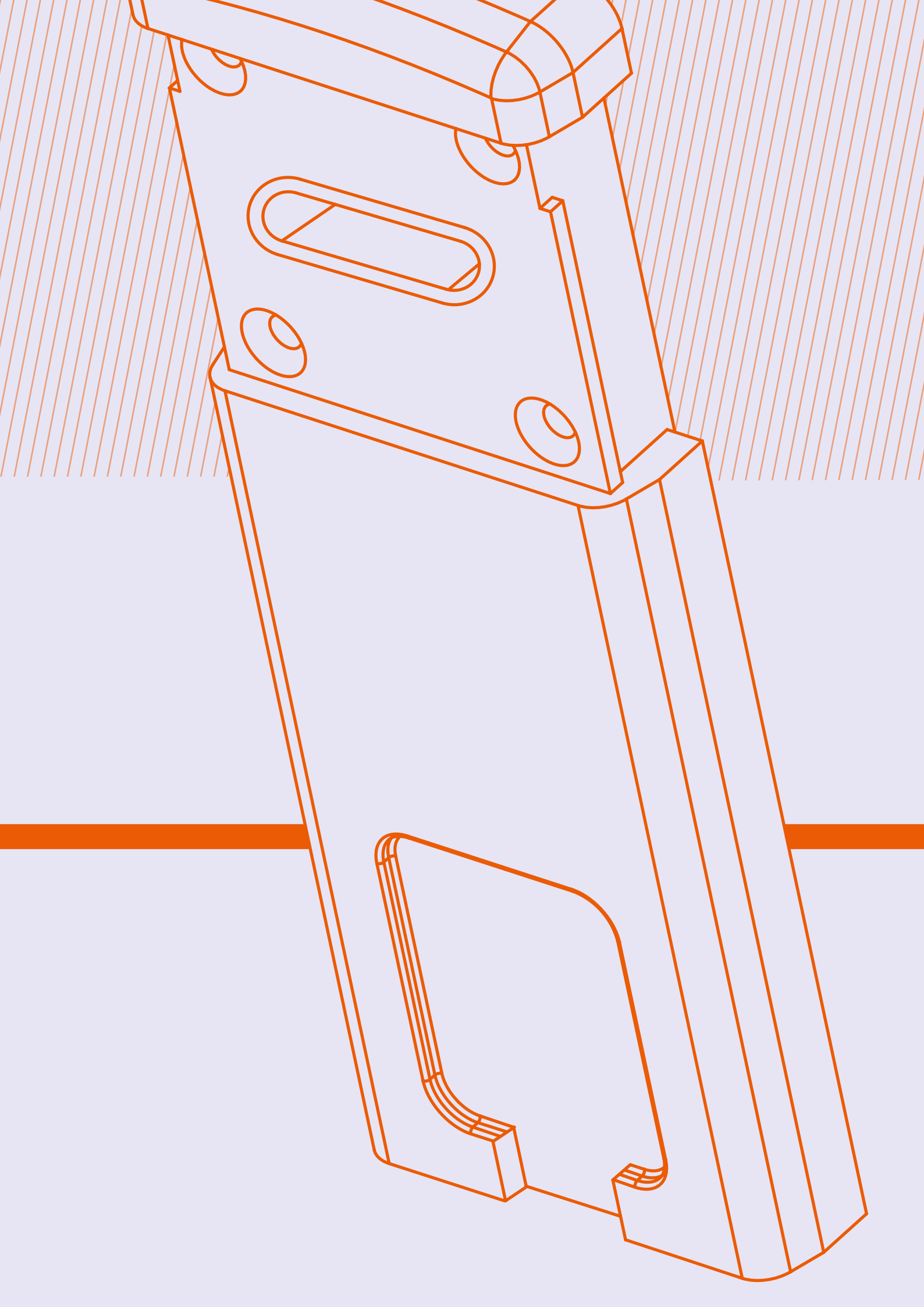
POWER SUPPLIES

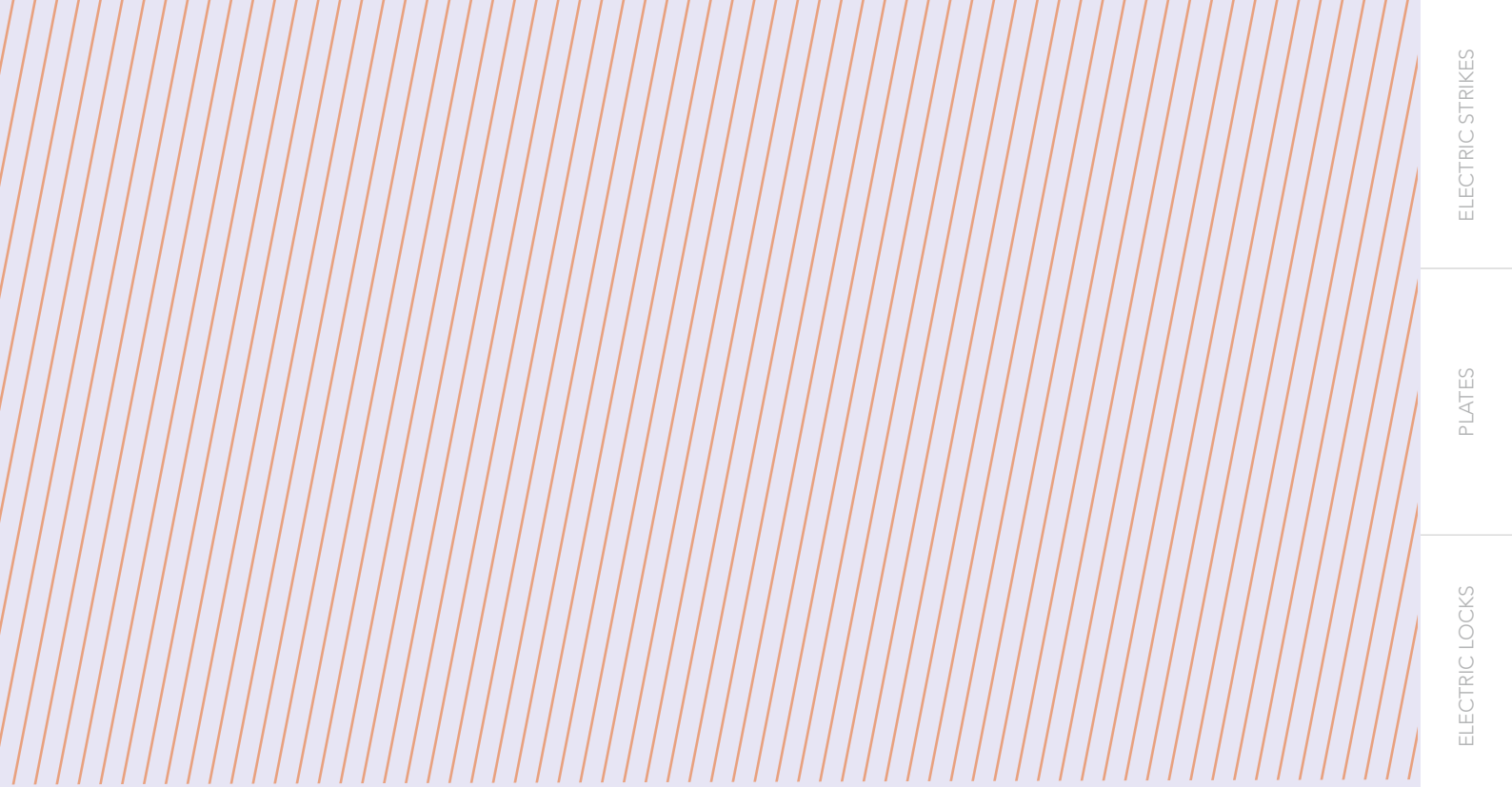
For a suitable performance we recommend:



Accessories section page 106

| CODE | INTERIOR OPENING, by boton | INTERIOR OPENING, by electricity only | INTERIOR OPENING, by key | LEFT | RIGHT | EXTERNAL CYLINDER, length | FINISHING |
|----------|----------------------------|---------------------------------------|--------------------------|------|-------|---------------------------|------------|
| D97/B1 D | ● | ● | | ● | | 50 mm | Light grey |
| D97/B1 I | ● | ● | | | ● | 50 mm | Light grey |
| D97/B2 D | ● | ● | | ● | | 35 mm | Light grey |
| D97/B2 I | ● | ● | | | ● | 35 mm | Light grey |
| D98/B1 D | ● | ● | | ● | | 50 mm | Black |
| D98/B1 I | ● | ● | | | ● | 50 mm | Black |
| D98/B2 D | ● | ● | | ● | | 35 mm | Black |
| D98/B2 I | ● | ● | | | ● | 35 mm | Black |
| D98/C D | | | ● | ● | | 50 mm | Inox |
| D98/C I | | | ● | | ● | 50 mm | Inox |





ELECTRIC STRIKES

PLATES

ELECTRIC LOCKS

SECURITY
CYLINDER SHIELDS

ELECTROMAGNETIC
LOCKS

ACCESS
CONTROLS

DOOR CLOSER

ACCESSORIES

SECURITY CYLINDER SHIELDS

DORCAS

New

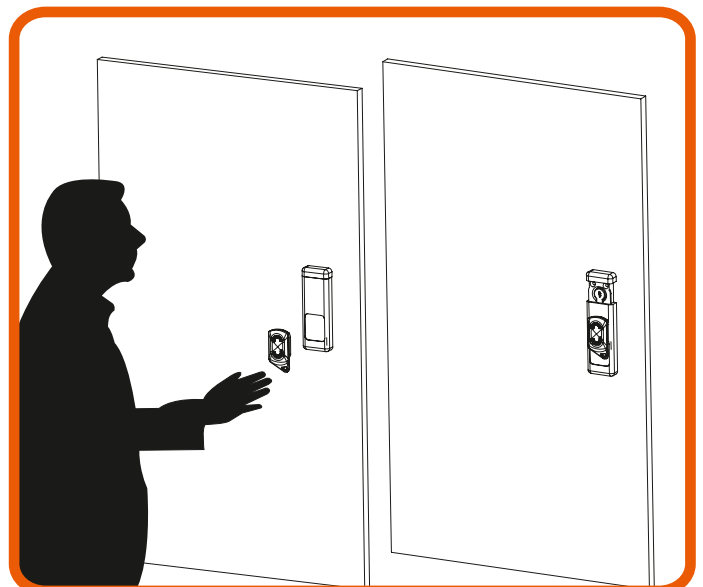
DORCAS

COVER CYLINDER

Rim installation device avoids the key access to the cylinder. It allows then a double security opening thanks to codified magnetic badges. It is a perfect solution against anti-hooligan by silicon, glue, shavings, etc... Also it is made of an anti-pick and anti-drill protected strong alloy material. It can be used in combination with economical standard cylinder giving same level of anti-manipulation (anti-bumping) as more expensive security cylinders. It is provided with two magnetic badges and accessories for the installation as well as a serial card number of identification to allow the manufacturer to copy badges (no limit). Badges spare part case is provided for our distributor.

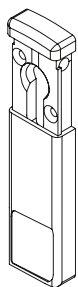
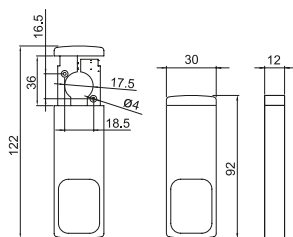


- ANTI-VANDAL
- REINFORCED
- MADE OF STEEL
- ANTI-BUMPING, PICKLOCKS AND THEFTS
- STRONG



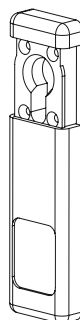
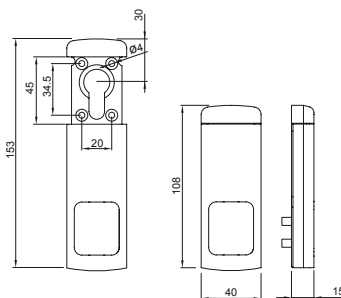
PC1

For euro-profile cylinder and lite doors. One position badge for opening and closing by hand.



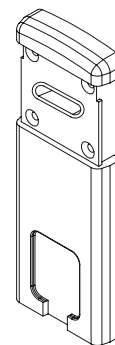
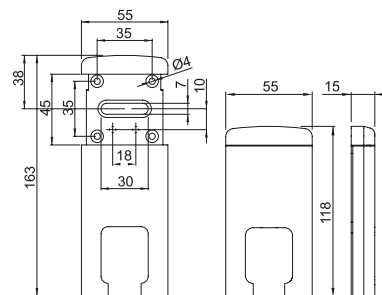
PC2

For euro-profile cylinder and heave doors. One position badge for opening and another position bage for closing.



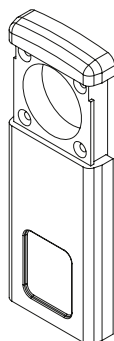
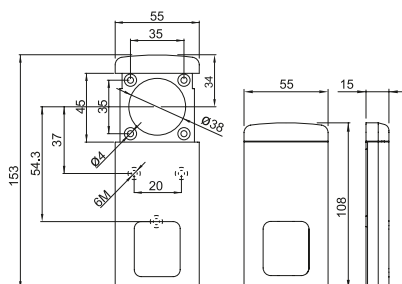
PC3

For small bit-key cylinder



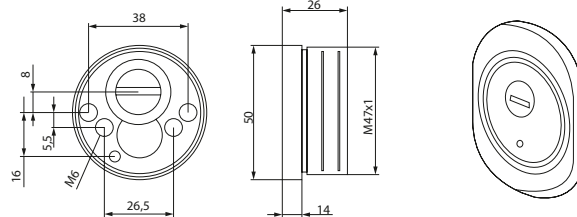
PC4

For Yale and Scandinavian profile cylinder types. (38mm diameter)



PC5

Sliding security shield for Spanish locks.



CODE

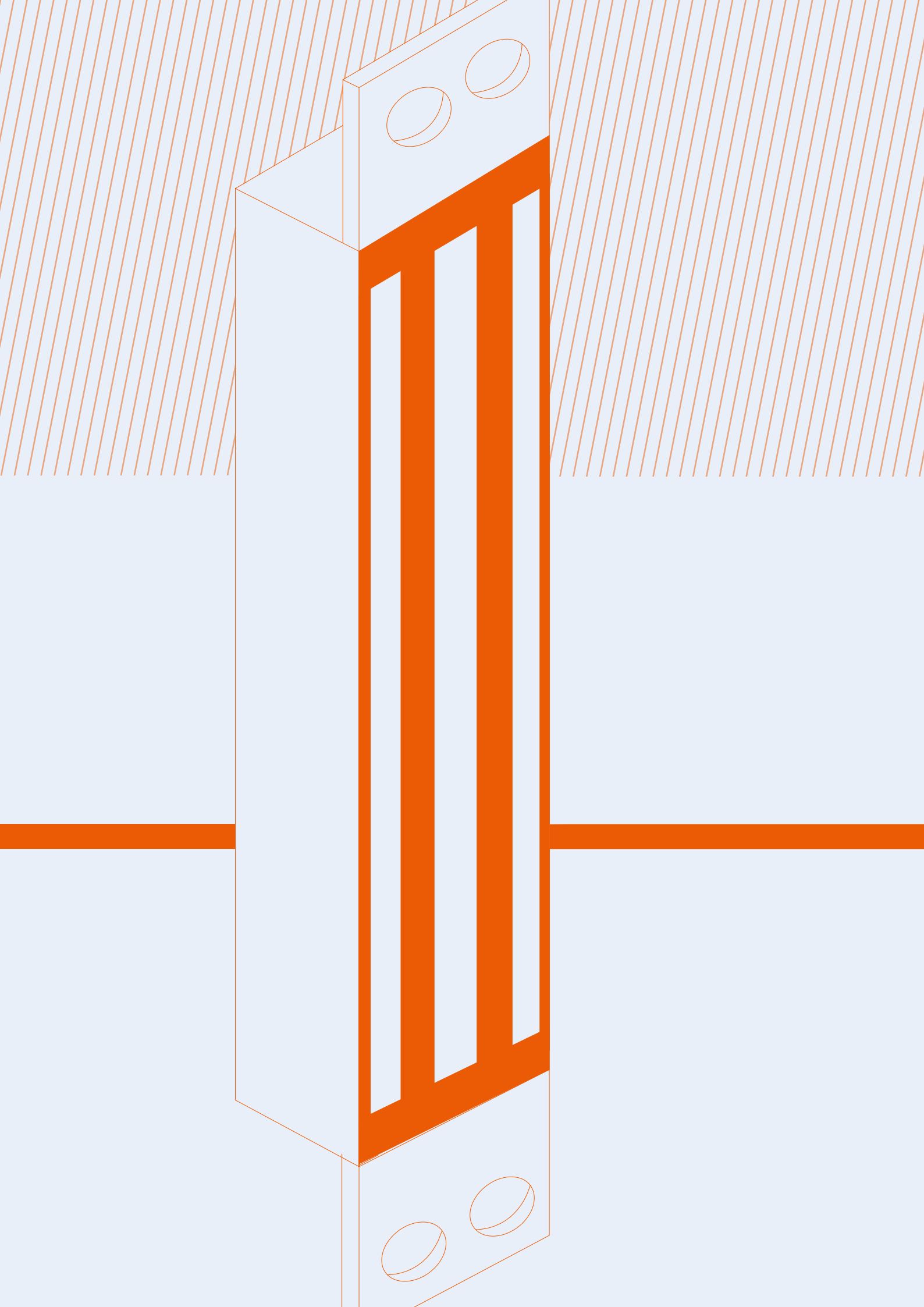
DESCRIPTION

OBSERVATIONS

| | | |
|---------|------------|--|
| PC 1/X | 22094 | Stainless steel security cylinder shield |
| PC 1/L | 22094/DO | Brass security cylinder shield |
| PC 11 | 22103/L | Magnetic key for PC1 |
| PC 12 | 22103 | 20 magnetic keys case for PC1 |
| PC 13/X | 22194/A | Stainless steel supplement for PC1 |
| PC 13/L | 22194/A/LA | Brass supplement for PC1 |
| PC 2/X | 22095 | Stainless steel security cylinder shield |
| PC 2/L | 22095/DO | Brass security cylinder shield |
| PC 21 | 22102/L | Magnetic key for PC2 |
| PC 22 | 22102 | 20 magnetic keys case for PC2 |
| PC 23/X | 22195/A | Stainless steel supplement for PC2 |
| PC 23/L | 22195/A/LA | Brass supplement for PC2 |
| PC 3/X | 22130 | Stainless steel security cylinder shield |
| PC 3/L | 22130/DO | Brass security cylinder shield |
| PC 31 | 22102/L | Magnetic key for PC3 |
| PC 32 | 22102 | 20 magnetic keys case for PC3 |
| PC 4/X | 22096 | Stainless steel security cylinder shield |
| PC 4/L | 22096/DO | Brass security cylinder shield |
| PC 41 | 22102/L | Magnetic key for PC4 |
| PC 42 | 22102 | 20 magnetic keys case for PC4 |
| PC 43/X | 22096/A | Stainless steel supplement for PC4 |
| PC 43/L | 22096/A/LA | Brass supplement for PC4 |
| PC 5/X | 22133 | Stainless steel security cylinder shield |
| PC 5/L | 22133/DO | Brass security cylinder shield |
| PC 51 | 22134 | Magnetic key for PC5 |
| PC 52 | 22334 | 20 magnetic keys case for PC5 |

CODIFICATION EXAMPLE: PC 5/X
DESCRIPTION EXAMPLE: 22133

Rounded stainless steel security cylinder shield





ELECTROMAGNETIC LOCKS



DORCAS

ACCESSORIES

DOOR CLOSER

ACCESS
CONTROLS

ELECTROMAGNETIC
LOCKS

SECURITY
CYLINDER SHIELDS

ELECTRIC LOCKS

PLATES

ELECTRIC STRIKES

DORCAS

ELECTROMAGNETIC LOCKS

The electromagnetic locks are used to close heavy duty or emergency exit doors. They are connected to an access control and they are energized by a stabilized power supply in 12/24 VDC with battery backup and release the doors when the power is off. They are provided by a Led and a Relay to inform the door is open or closed to the access control. Electromagnetic shearlocks M54 and M55 (750 and 1500 Kg holding force) are suitable for swinging doors or twin door. Its installation is on top of the door and it's ideal for narrow aluminum door profiles. With a built-in monitoring system (Door open or closed signal) and varistor included. Rim installation accessory kit on request. 12 or 24V functioning.



- SILENT
- LED INFORMATION (OPEN/CLOSED)
- RIM/MORTICE MOUNTING
- WITHOUT MECHANICAL WEAR
- SWINGING DOORS
- NARROW ALUMINUM PROFILE DOORS



| TECHNICAL CHARACTERISTICS | MORTICE INSTALLATION ELECTROMAGNETIC LOCK | | ELECTROMAGNETIC RIM LOCKS | | | | | | |
|----------------------------|---|-----------|---------------------------|-----------|-----------|-----------|-----------|-----------------------|------------------------|
| | M08 | M11 | M18 | M33 | M66 | M22 | M44 | M54 | M55 |
| High | 167 mm | 228 mm | 203 mm | 254 mm | 502 mm | 273 mm | 532 mm | 165 mm | 230 mm |
| Width | 34 mm | 39 mm | 34 mm | 43 mm | 42 mm | 67 mm | 67 mm | 31 mm | 31,5 mm |
| Depth | 20 mm | 27 mm | 20 mm | 25 mm | 27 mm | 40 mm | 40 mm | 21,5 mm | 27 mm |
| Holding force | 180 Kg | 300 Kg | 180 Kg | 300 Kg | 2x300 Kg | 500 Kg | 2x500 Kg | 750 Kg Shear strength | 1500 Kg Shear strength |
| Signaling | - | Reed | - | Reed+Led | Reed+Led | Reed+Led | Reed+Led | Reed+Led | Reed |
| Functioning | 12/24 Vdc | 12/24 Vdc | 12/24 Vdc | 12/24 Vdc | 12/24 Vdc | 12/24 Vdc | 12/24 Vdc | 12/24 Vdc | 12/24 Vdc |
| VDC power consumption (mA) | 350(12V) | 550(12V) | 350(12V) | 550(12V) | 1200(12V) | 550(12V) | 1200(12V) | 1200(12V) | 600(12V) |
| | 250(24V) | 275(24V) | 250(24V) | 275(24V) | 620(24V) | 275(24V) | 620(24V) | 600(24V) | 300(24V) |

POWER SUPPLIES
Accessories section page 106

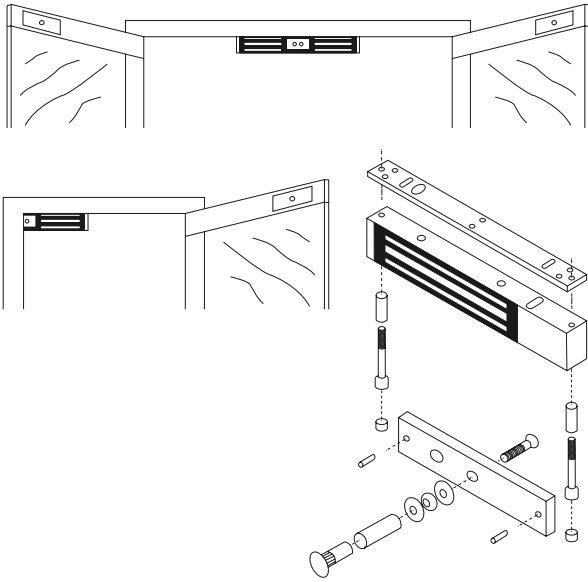
For a suitable performance we recommend:

DC 12V
DC 24V

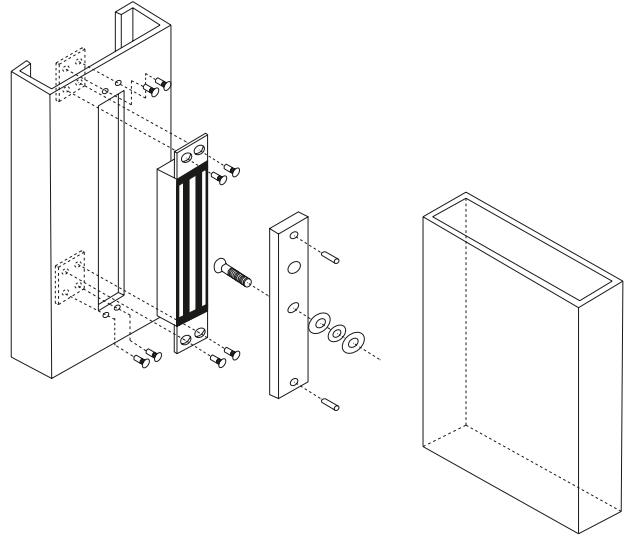
| CODE | REFERENCE | DESCRIPTION |
|------|-----------|---|
| M08 | M08 | Mortice installation electromagnetic lock (Holding force 180 kg) |
| M11 | M11 | Mortice installation electromagnetic lock (Holding force 300 kg) |
| M18 | M18 | Rim surface installation electromagnetic lock (Holding force 180 kg) |
| M33 | M33 | Rim surface installation electromagnetic lock (Holding force 300 kg) |
| M22 | M22 | Rim surface installation electromagnetic lock (Holding force 500 kg) |
| M66 | M3333 | Rim surface installation electromagnetic lock (Holding force 600 kg) |
| M44 | M2222 | Rim surface installation electromagnetic lock (Holding force 1000 kg) |
| L3 | L3 | Brackets (for M33 and M66) |
| L2 | L2 | Brackets (for M22 and M44) |
| LZ18 | LZ18 | Brackets (for M18) |
| Z | Z | Brackets (for M22, M33, M44 and M66) |
| U | U | Brackets (for M33 and M66 for glass doors) |
| M54 | M54 | Mortice installation electromagnetic lock (Holding force 750 kg) |
| M55 | M55 | Mortice installation electromagnetic lock (Holding force 1500 kg) |
| F | F | Fire accessory |

CODIFICATION EXAMPLE: M66
DESCRIPTION EXAMPLE: M3333 Rim Surface installation electromagnetic lock (Holding force 600 Kg)

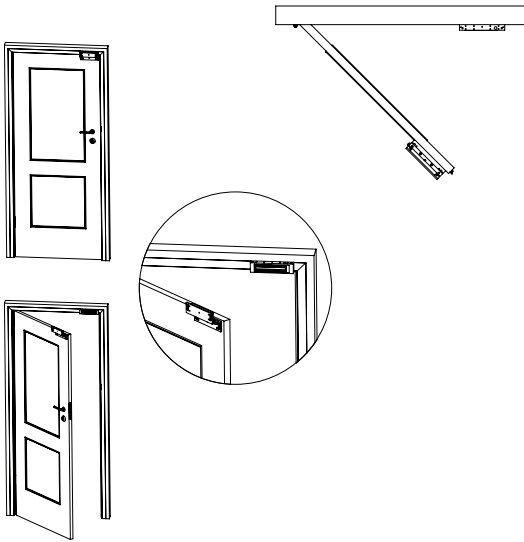
Rim INSTALLATION DRAWING



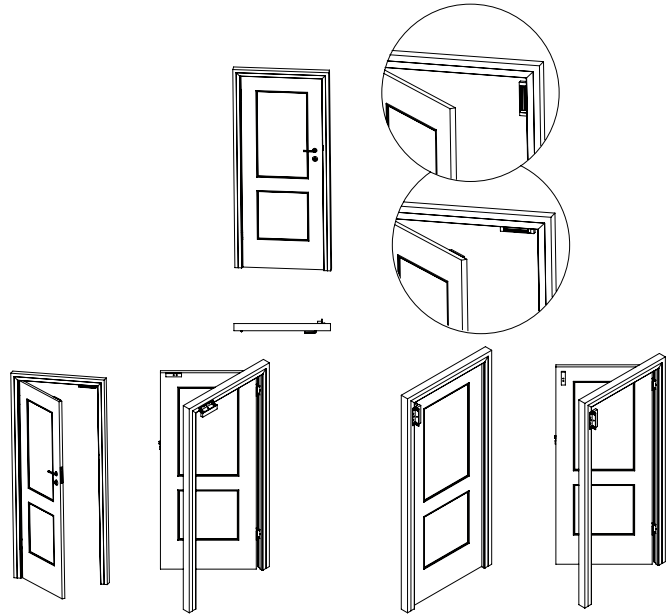
Flush INSTALLATION DRAWING



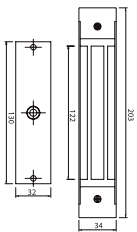
Inward opening



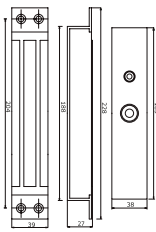
Outward opening



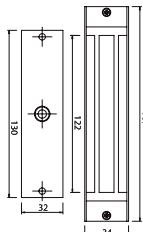
M8



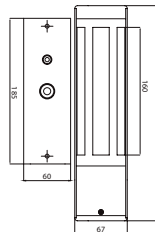
M11



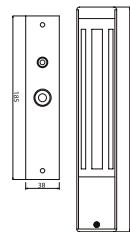
M18



M22



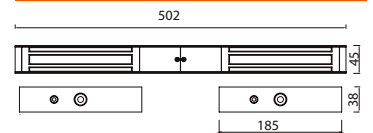
M33



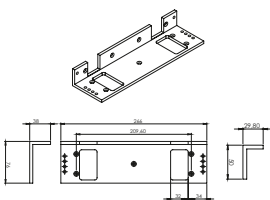
M44



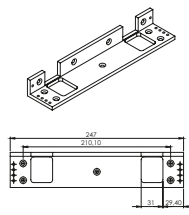
M66



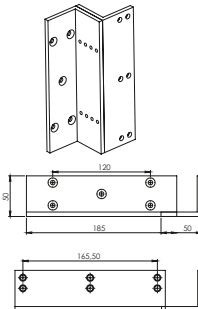
L2



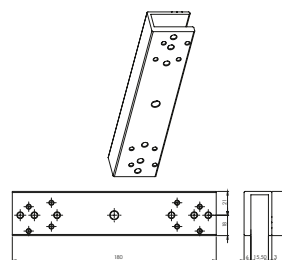
L3



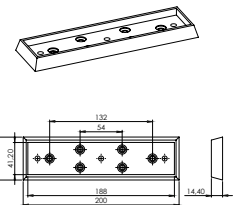
Z



U



F



ELECTRIC STRIKES

PLATES

ELECTRIC LOCKS

SECURITY CYLINDER SHIELDS

ELECTROMAGNETIC LOCKS

ACCESS CONTROLS

DOOR CLOSER

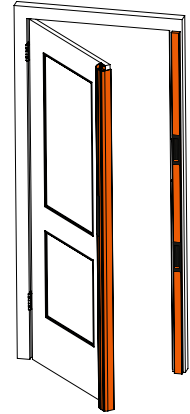
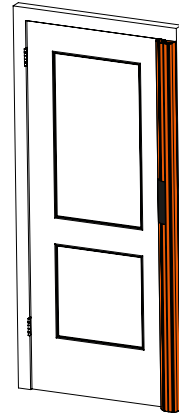
ACCESSORIES

New

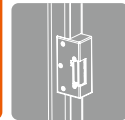
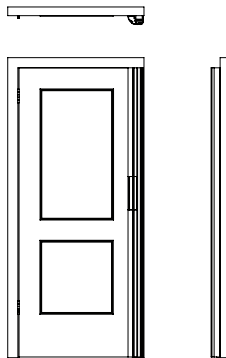
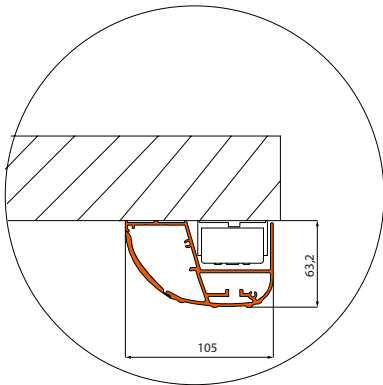
DORCAS PROFAST

PROFAST

Profast system is a new product made with two aluminum profiles, one mounted in the door and the other one in the door frame. In both of them an electromagnetic rim locks are installed. The system opens through built-in door handle and when it closes, the profile with the rim locks remains totally hidden. The installation is fast and easy (10 minutes) and the finishing is modern and aesthetic keeping all the wires hidden inside the profiles. This solution is suitable for offices, shops, public buildings... and suitable for all kind of doors (wood, metal, glass doors...) and it works from 12 to 48V giving the system a holding force up to 600 Kg.



- VERY FAST INSTALLATION
- RIM MOUNTING
- EASY TO INSTALL
- FOR METAL, WOOD AND GLASS DOORS
- ANTI-VANDAL



TECHNICAL CHARACTERISTICS

| | |
|----------------------|--|
| Largo | 2190 / 2500 mm |
| Width | 105 mm |
| Depth | 63 mm |
| | 12 / 24 / 48 Vdc |
| Holding force (Kg) | 2 x 300 Kg |
| VDC consumption (mA) | 550 (one close) 275 (one close) 190 (both close) |

| CODE | REFERENCE | DESCRIPTION |
|------|-----------|--|
| PF1 | PF1 | Aluminium profile with electromagnetic locks (2x300kg) |

POWER SUPPLIES

For a suitable performance we recommend:

12 Vdc

TF4



TF7



24 Vdc

Accessories section page 106

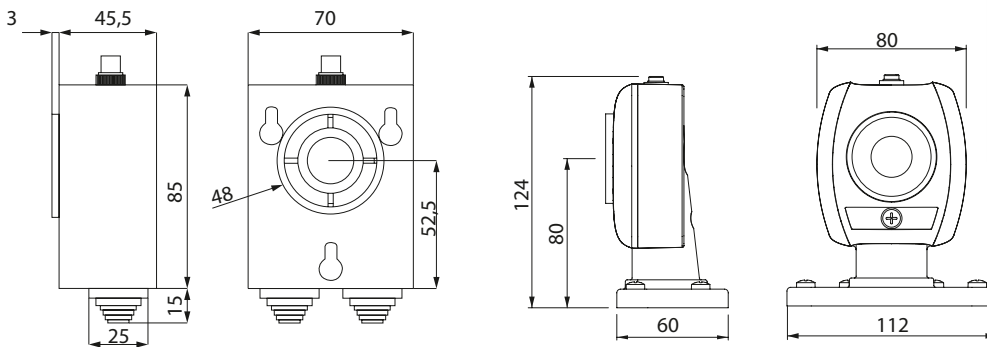
CODIFICATION EXAMPLE: PF1
DESCRIPTION EXAMPLE: PF1

Aluminium profile with electromagnetic locks (2x300kg)

DORCAS**FIRE DOOR ELECTROMAGNETIC LOCK**

The fire magnet are installed on heavie acceses to maintain the fire door open. The kit is supplied with a mobile backplate, it is an ideal choice when the installation angle is complicated. Working in fail safe 24/48 VDC the release shut the doors in case of fire. They are provided with an adjustable striking plate in a kit ready to install.

- CE CERTIFICATE
- FIRE DOORS
- MANUAL RELEASE BUTTON
- EN 1

**TECHNICAL CHARACTERISTICS****FIRE DOOR ELECTROMAGNETIC LOCK**

| | RT20 | | RT50 | | PRT20 | | PRT50 | |
|----------------------|---------|--------|---------|--------|--------|--------|--------|--------|
| High | 85 mm | | 85 mm | | 124 mm | | 124 mm | |
| Width | 70 mm | | 70 mm | | 112 mm | | 112 mm | |
| Depth | 45,5 mm | | 45,5 mm | | 60 mm | | 60 mm | |
| Holding force (Kg) | 20 Kg | | 50 Kg | | 20 Kg | | 50 Kg | |
| Functioning | 24 Vdc | 48 Vdc | 24 Vdc | 48 Vdc | 24 Vdc | 48 Vdc | 24 Vdc | 48 Vdc |
| VDC consumption (mA) | 24 | 24 | 80 | 48 | 24 | 24 | 80 | 48 |

POWER SUPPLIES

For a suitable performance we recommend:

DC 24V

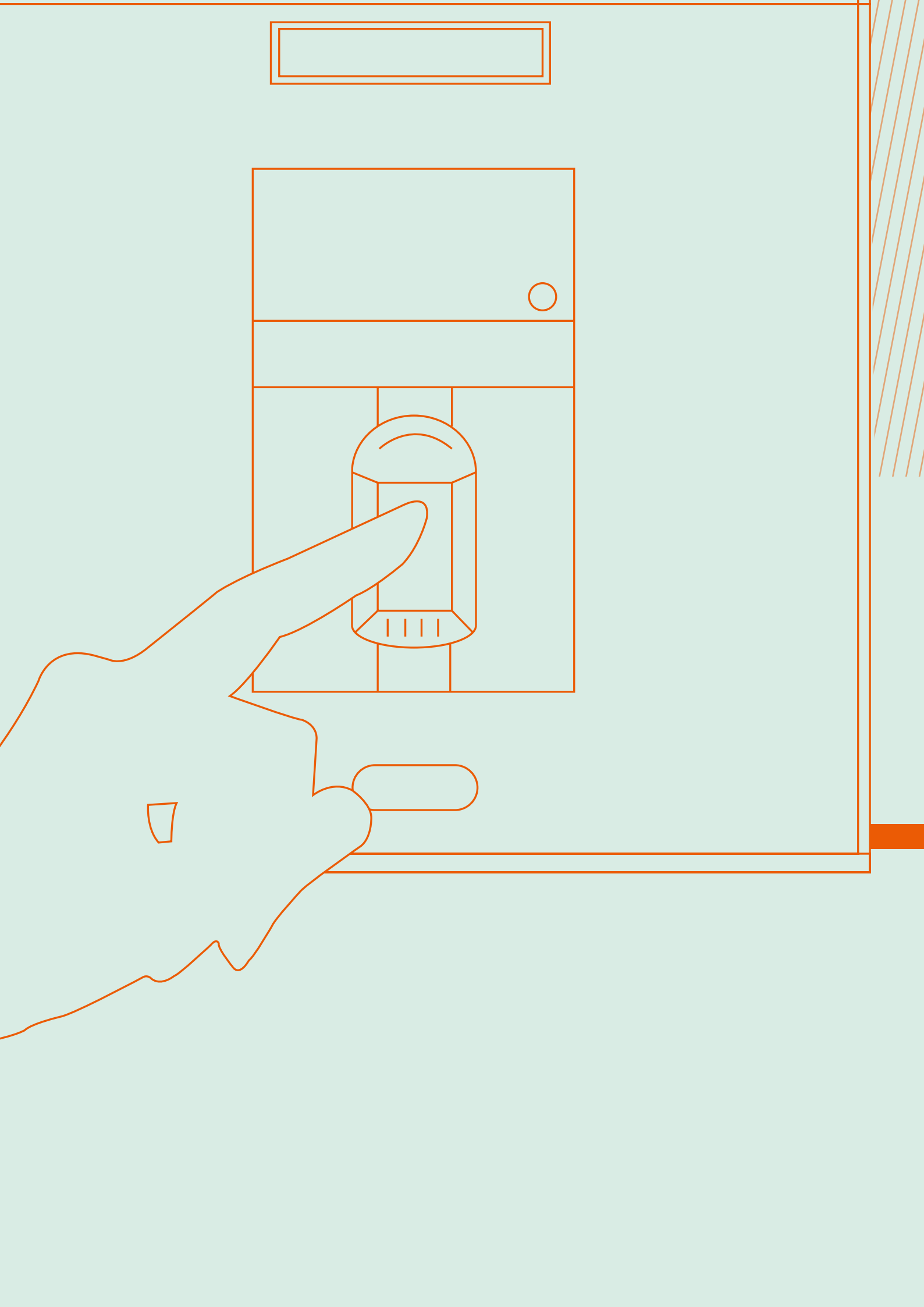


Accessories section page 106

| CODE | REFERENCE | DESCRIPTION |
|----------|-----------|---------------------------------------|
| RT 2024 | R20T24 | Fire magnet 24V (Holding force: 20Kg) |
| RT 2048 | R20T48 | Fire magnet 24V (Holding force: 50Kg) |
| RT 5024 | R50T24 | Fire magnet 48V (Holding force: 20Kg) |
| RT 5048 | R50T48 | Fire magnet 48V (Holding force: 50Kg) |
| PRT 2024 | PR20T24 | Fire magnet 24V (Holding force: 20Kg) |
| PRT 2048 | PR20T48 | Fire magnet 48V (Holding force: 20Kg) |
| PRT 5024 | PR50T24 | Fire magnet 24V (Holding force: 50Kg) |
| PRT 5048 | PR50T48 | Fire magnet 48V (Holding force: 50Kg) |

CODIFICATION EXAMPLE: PRT 2024
DESCRIPTION EXAMPLE: PR20T24

Fire magnet 24V (Holding force: 20Kg)





ACCESS CONTROLS



DORCAS

ACCESSORIES

DOOR CLOSER

ACCESS
CONTROLS

ELECTROMAGNETIC
LOCKS

SECURITY
CYLINDER SHIELDS

ELECTRIC LOCKS

PLATES

ELECTRIC STRIKES

New

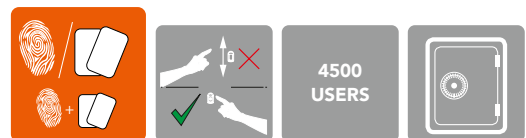
DORCAS K10

FINGERPRINT AND PROXIMITY ACCESS CONTROL

K10 fingerprint reader is an advanced control access system based on biometric fingerprints given higher security level compared to other systems. It integrates a proximity reader to be used with cards additionally. You can use the two readers as a double security system. Suitable up to 4500 individual users.

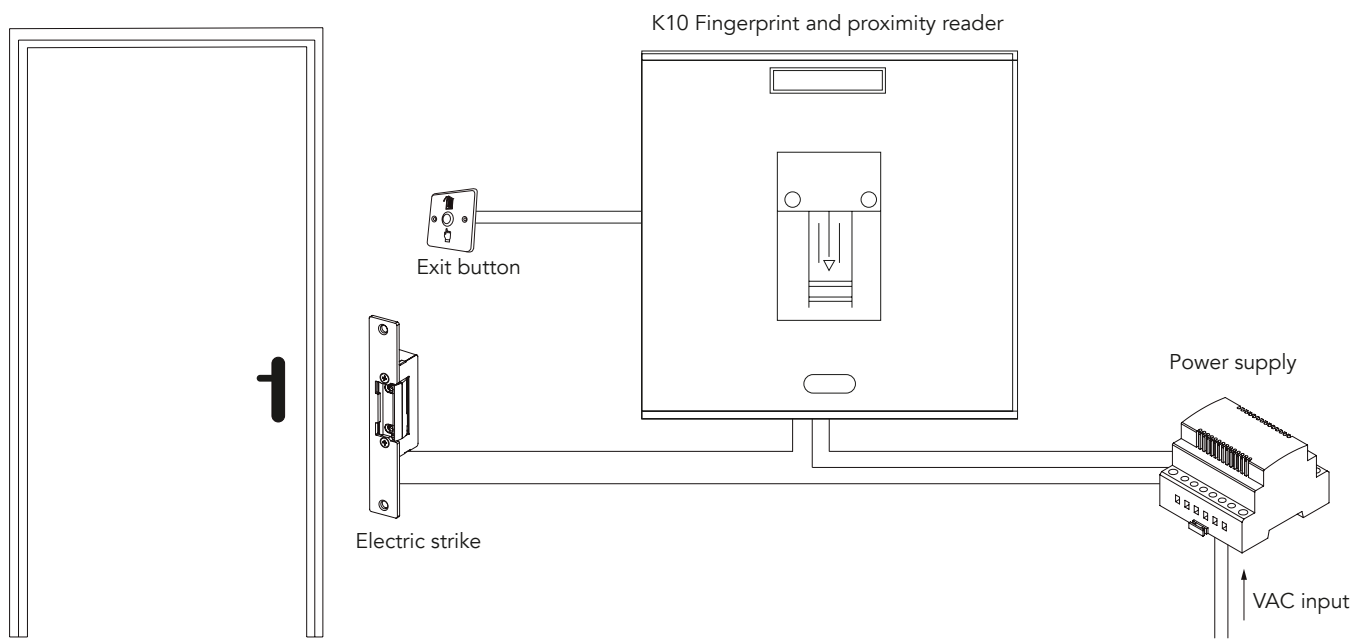


- MULTIACCESS, FINGERPRINT, ACCESS CARD OR BOTH
- BUILT-IN READER AND ACCESS CONTROL
- FINGERPRINT RECOGNITION WITHOUT SLIDING
- 4500 USERS
- HIGH SECURITY

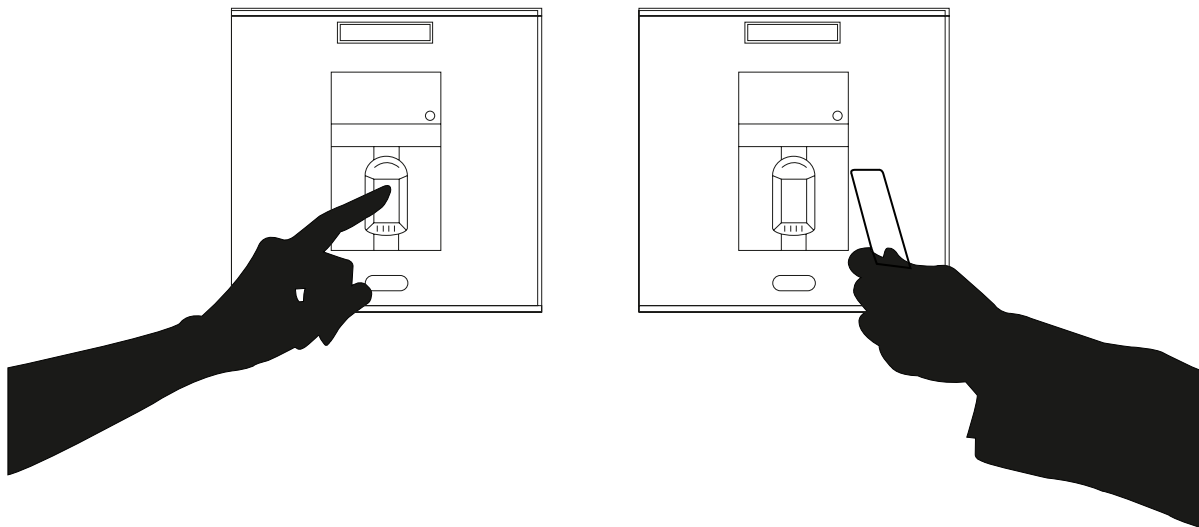


| TECHNICAL CHARACTERISTICS | K10 |
|-----------------------------|-------------------|
| High | 130 mm |
| Width | 128 mm |
| Depth | - |
| Mortice case | 115 x 114 x 45 mm |
| Rim case | 115 x 128 x 33 mm |
| IP | IP 43 |
| IK | IK 07 |
| Capacity | Up to 4500 USERS |
| Operating temperature | -10 °C a 55 °C |
| | 12 Vdc |
| Stationary consumption (mA) | - |
| Opening consumption (mA) | 118 |

INSTALLATION DRAWING



GUARANTEED SECURITY



CODE

K10

DESCRIPTION

K10 Fingerprint reader and proximity with power supply and control software

CODIFICATION EXAMPLE: K10

K10 kit

New

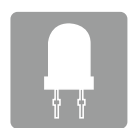
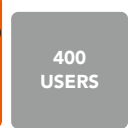
DORCAS K7

PROXIMITY ACCESS CONTROL

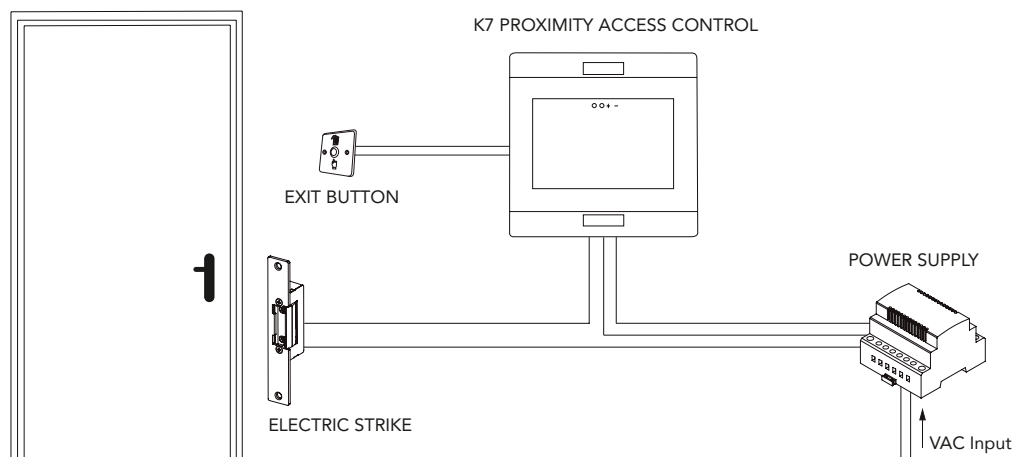
The K7 control access reader activates the opening mechanism with a card or magnetic key. It is programmed with a master card (the first that the reader approaches when it is already installed). It allows up to 400 different users. It requires an electric release. User's keyboard control K72 allows us to check in or out users without the presence of cards or magnetic keys. K71 software allows to control accesses by communicating with a computer.



- PROXIMITY CARDS OPENING
- BUILT-IN READER AND ACCESS CONTROL
- 400 USERS
- AC/DC
- BUZZER
- LED INDICATOR



INSTALLATION DRAWING



| TECHNICAL CHARACTERISTICS | K7 |
|-----------------------------|-------------------|
| High | 130 mm |
| Width | 128 mm |
| Depth | - |
| Mortice case | 115 x 114 x 45 mm |
| Rim case | 130 x 128 x 33 mm |
| IP | IP 43 |
| IK | IK 07 |
| Capacity | 400 USERS |
| Operating temperature | 0 °C a 60 °C |
| | 12 Vac/dc |
| Stationary consumption (mA) | 80 |
| Opening consumption (mA) | 120 |

| CODE | DESCRIPTION |
|------|--|
| K7 | Proximity card reader control access K7 with power supply, 4 user cards and a key card |
| K73 | Proximity user card |
| K74 | Proximity user key card |
| K72 | User control keyboard |
| K71 | Control software |

CODIFICATION EXAMPLE: K7

Proximity card reader control access K7

DORCAS K2

KEYPAD

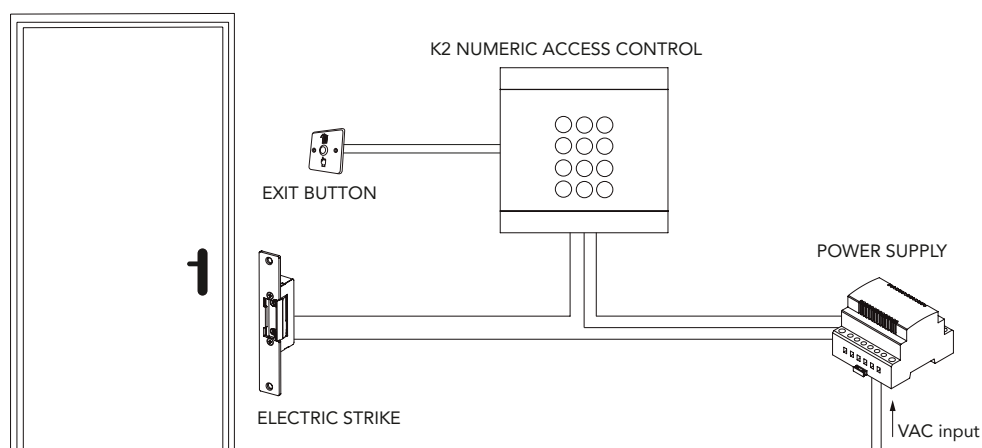
K2 keyboard enables accesses by entering a CODE of 4-6 digits. A master CODE allows to program the different options in the keypad. It has a built in alarm system. It allows the use of two doors and has up to 100 different users. It requires an electric release.



- VAC/VDC
- BUZZER
- RETROILLUMINATED
- 100 USERS



INSTALLATION DRAWING



| TECHNICAL CHARACTERISTICS | K2 |
|-----------------------------|-------------------|
| High | 130 mm |
| Width | 128 mm |
| Depth | - |
| Mortice case | 115 x 114 x 45 mm |
| Rim case | 130 x 128 x 33 mm |
| IP | IP 43 |
| IK | IK 07 |
| Capacity | 100 USERS |
| Operating temperature | 0 °C a 70 °C |
| | 12 Vac/dc |
| Stationary consumption (mA) | 6 |
| Opening consumption (mA) | 60 |

| CODE | DESCRIPTION |
|------|--------------------------|
| K2 | Keypad with power supply |

CODIFICATION EXAMPLE: K2 Aluminum numeric access control

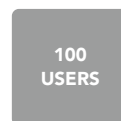
DORCAS K8

KEYPAD

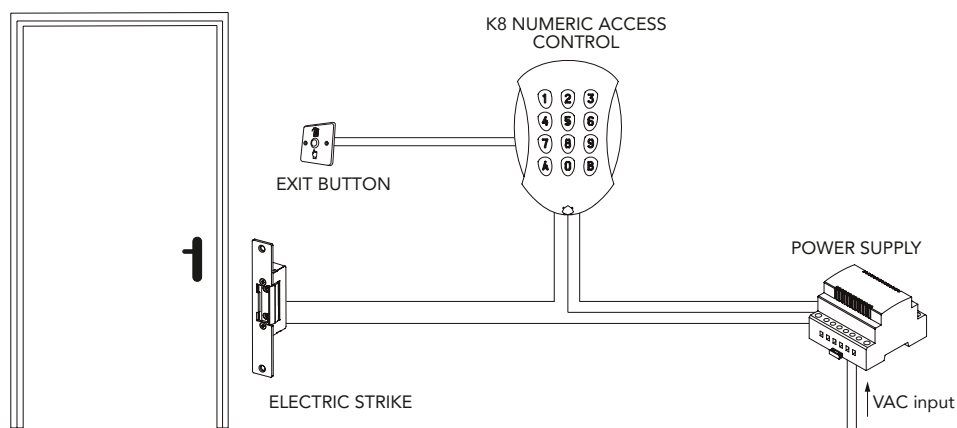
K8 control access keyboard stands out for its compact aluminum finishing with backlighting. It is suitable for surface mounting and is fully sealed (IP64). It is possible to register up to 100 customizable user codes. Operates in VDC (12/24 and 48V) and VAC (12/24V)



- BACKLIGHTED
- 100 USERS
- IP 64



INSTALLATION DRAWING



TECHNICAL CHARACTERISTICS K8

| | | |
|-----------------------------|----------------|--------------|
| High | 110 mm | |
| Width | 75 mm | |
| Depth | 15 mm | |
| Mortice case | - | |
| Rim case | - | |
| IP | IP 64 | |
| IK | - | |
| Capacity | 100 USERS | |
| Operating temperature | -25 °C a 70 °C | |
| | 12/24 Vac | 12/24/48 Vdc |
| Stationary consumption (mA) | - | - |
| Opening consumption (mA) | 90/46 | 100/55/30 |

| CODE | DESCRIPTION |
|---------------------------------|--------------------------|
| K8 | Keypad with power supply |
| CODIFICATION EXAMPLE: K8 | |
| | Aluminum backlit keypad |

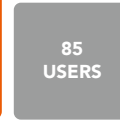
DORCAS K4

TRANSMITTER-RECEIVER

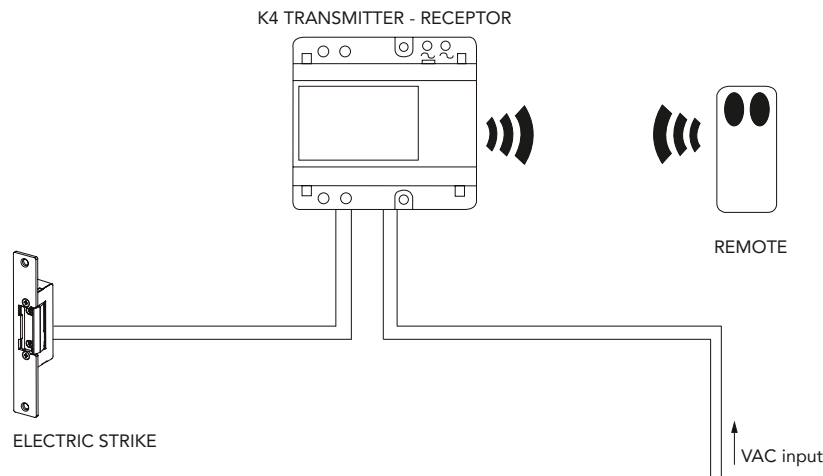
The receiver is integrated into power supply. It allows up to 85 different key possibilities. Each transmitter has two channels so it allows to open two doors fitted with two receivers. An electric release is required.



- 50 M RANGE IN OPEN FIELD
- REMOTE CONTROL OPENING
- 85 USERS
- BUILT-IN RECEIVER
- DOUBLE CHANNEL FOR TWO DOORS



INSTALLATION DRAWING



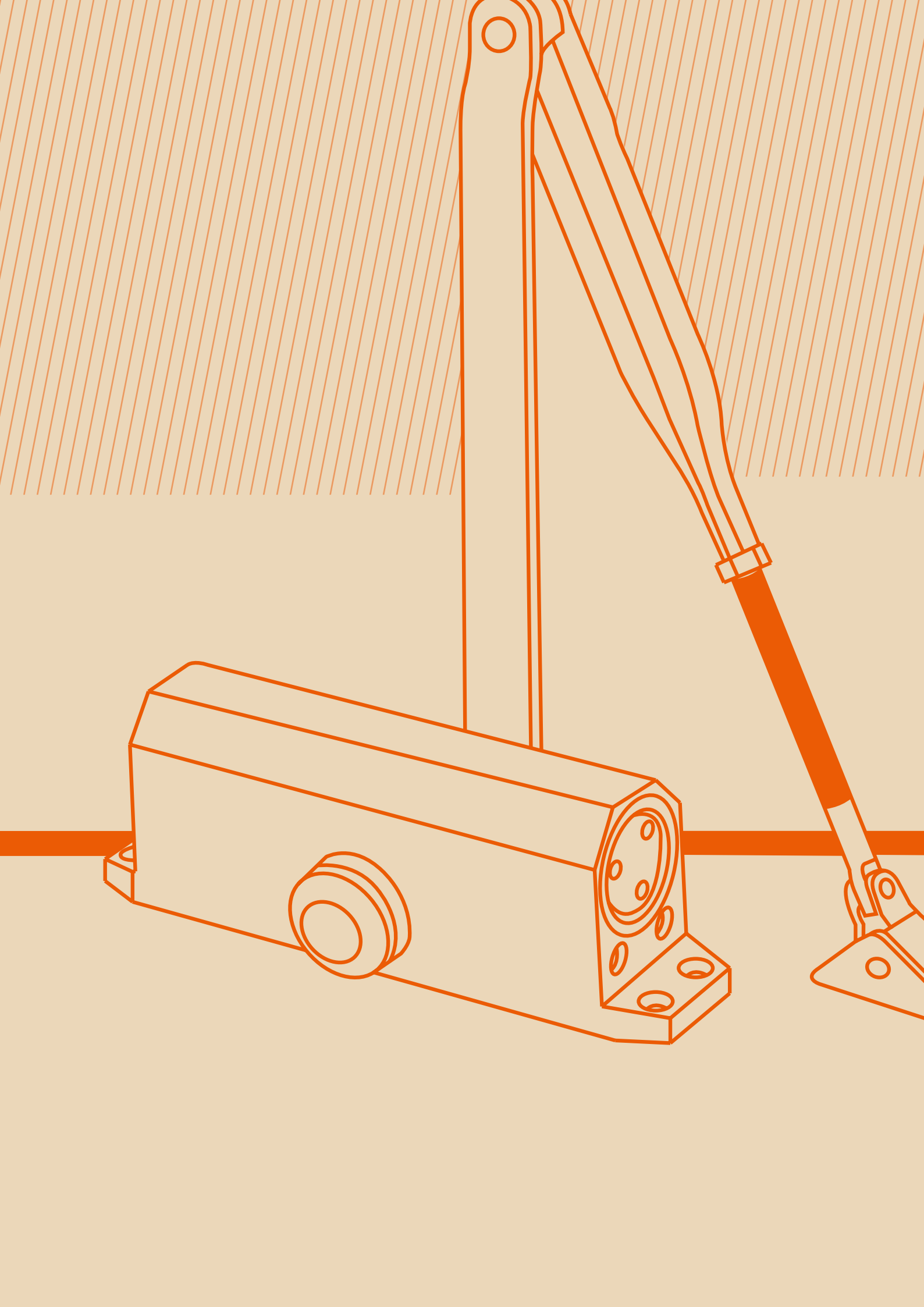
| TECHNICAL CHARACTERISTICS | K4 |
|-----------------------------|----------------|
| High | 104 mm |
| Width | 90 mm |
| Depth | 60 mm |
| Mortice case | - |
| Rim case | - |
| IP | - |
| IK | - |
| Capacity | - |
| Operating temperature | -20 °C a 70 °C |
| | 12 Vac |
| Stationary consumption (mA) | - |
| Opening consumption (mA) | Max. 700 |

*3VDC battery for transmitter included

| CODE | DESCRIPTION |
|------|--|
| K4 | Transmitter-receiver kit with integrated power supply and two transmitters |
| K43 | Transmitter |

CODIFICATION EXAMPLE: K4

Transmitter-receiver kit





ELECTRIC STRIKES

PLATES

ELECTRIC LOCKS

SECURITY
CYLINDER SHIELDS

ELECTROMAGNETIC
LOCKS

ACCESS
CONTROLS

DOOR CLOSER

ACCESSORIES

DOOR CLOSERS

DORCAS



New

DORCAS DOOR CLOSERS

EN-1154

EN-1634

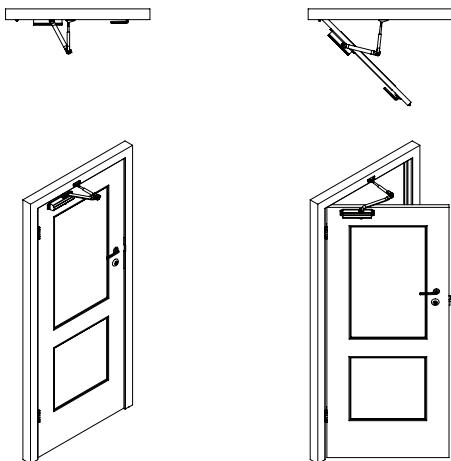
Dorcas has a wide range of door-closers covering all market needs. We provide small and cheap door closers for residential areas to more demanding professional applications like DC4, optimum for stores and commercial zones and floor installation FS1. Dorcas offers hold open and sliding arm function in their models, also are available in different finishings.



- FIRE RATED
- CE CERTIFIED
- POWER LEVEL 1-6
- FOR ALL KIND OF INSTALLATIONS

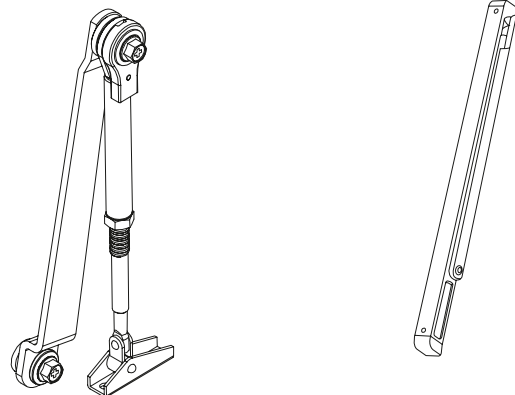


Installation on the hinges side

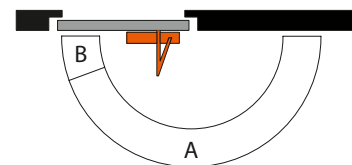
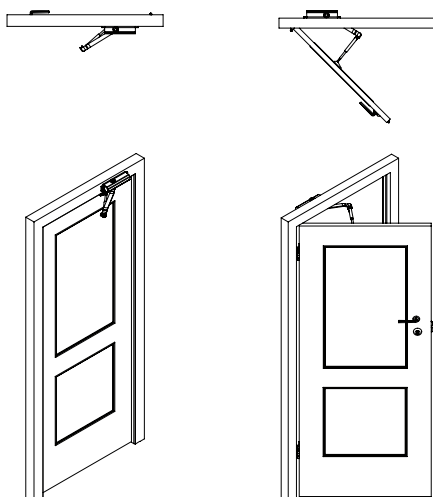


OVERHEAD ARMSET

SLIDING ARM



Installation on the opposite to the hinges side



A- Closing adjustment power
B- Adjustable latch action

POWER LEVEL (EN)

| EN | Recommended door width (mm) | Recommended maximum weight door |
|-------|-----------------------------|---------------------------------|
| EN(1) | <750 | 20 |
| EN(2) | 850 | 40 |
| EN(3) | 950 | 60 |
| EN(4) | 1100 | 80 |
| EN(5) | 1250 | 100 |
| EN(6) | 1400 | 120 |

New

DORCAS

DC1

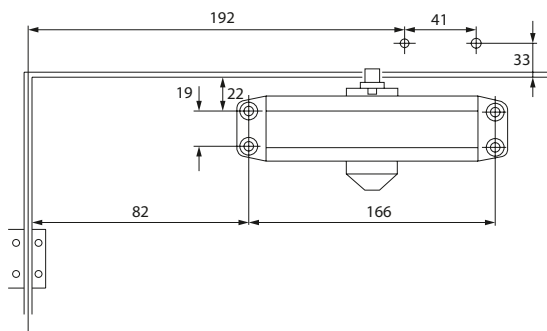
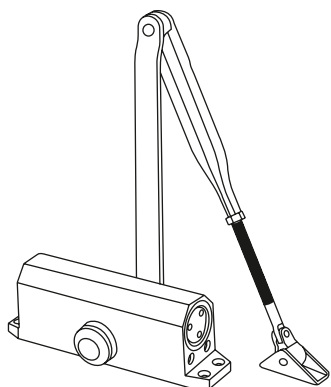
DC1 Door closer is the most economical solution for standard doors. It is provided with a closing system in two phases for a soft closing and its finish offers an optimum rust protection.



EN-1154

EN-1634

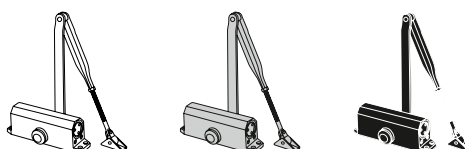
- FIRE RATED
- CE CERTIFIED
- POWER LEVEL 2-4
- DOOR WIDTH FROM 850 TO 1100 mm
- DOOR WEIGHT FROM 25 TO 85 Kg



| TECHNICAL CHARACTERISTICS | DC1 |
|---------------------------------------|--|
| Closing level | EN 2-4 |
| Door Width | 850-1100 mm |
| Door weight | 25-85 Kg |
| Fire Rated | EN-1634 |
| Suitable for both left and right hand | YES |
| Design style | Residencial and comercial building style |
| Standard installation | YES |
| Arm parallel mounted | YES |
| Transom mounted | YES |
| Adjustable closing speed | YES |
| Material | Aluminium body and Steel arm |
| Length of hole horizontal mounting | 166 mm |
| Length of hole verical mounting | 19 mm |
| Adjustable backcheck | Optional |
| Sliding arm | NO |
| Adjustable latch action | NO |
| Cycles tested | 500.000 (EN-1154) |
| Mounting | Optional |

| CODE | DESCRIPTION | EN1 | EN2 | EN3 | EN4 | EN5 | EN6 | HOLD-OPEN | SLIDING ARM |
|-------|-------------|-----|-----|-----|-----|-----|-----|-----------|-------------|
| 22206 | DC1 | | | ● | | | | | |
| 22207 | DC1 H | | | ● | | | | ● | |

In order to choose the colour of the door closer add "/G" after the CODE for grey colour, "/B" for black colour or "/W" for white



CODIFICATION EXAMPLE:

DC1 Door closer with hold open function in colour white: DC1 H/B

New

DORCAS DC2

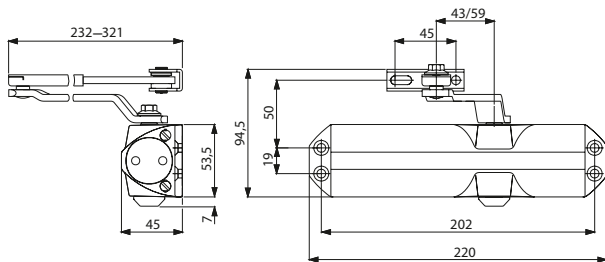
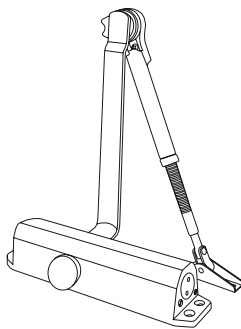
EN-1154

EN-1634

DC2 Door closer is a very common model that may be used for all standard doors. It's easy and quick to install and its dimensions make it optimum for replacement of door-closers already installed. It covers a wide range of performances thanks to its different kinds of installations.



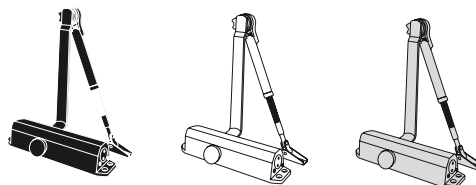
- FIRE RATED
- CE CERTIFIED
- POWER LEVEL 2-5
- DOOR WIDTH FROM 850 TO 1100 mm
- DOOR WEIGHT FROM 25 TO 85 Kg



| TECHNICAL CHARACTERISTICS | DC2 |
|---------------------------------------|---|
| Closing level | EN 2-4 |
| Door Width | 850-1100 mm |
| Door weight | 25-85 Kg |
| Fire Rated | EN-1634 |
| Suitable for both left and right hand | YES |
| Design style | Residential and commercial building style |
| Standard installation | YES |
| Arm parallel mounted | Optional |
| Transom mounted | YES |
| Adjustable closing speed | YES |
| Material | Aluminium body and Steel arm. |
| Length of hole horizontal mounting | 202 mm |
| Length of hole vertical mounting | 19 mm |
| Adjustable backcheck | NO |
| Sliding arm | NO |
| Adjustable latch action | NO |
| Cycles tested | 500.000 (EN-1154) |
| Mounting | Optional |

| CODE | DESCRIPTION | EN1 | EN2 | EN3 | EN4 | EN5 | EN6 | HOLD-OPEN | SLIDING ARM |
|-------|-------------|-----|-----|-----|-----|-----|-----|-----------|-------------|
| 22208 | DC2 | | ● | ● | ● | | | | |
| 22209 | DC2 H | | ● | ● | ● | | | ● | |

In order to choose the colour of the door closer add "/G" after the CODE for grey colour, "/B" for black colour or "/W" for white



CODIFICATION EXAMPLE:

DC2 Door closer with hold open function in black colour: DC3 H/N

New

DORCAS

DC3

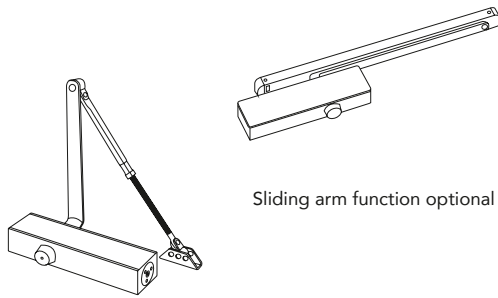
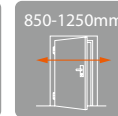
DC3 model is very simple to install and ideal for interior doors of different styles and designs. Its slim and compact design makes an easy and troubleless installation. Closing levels and speeds are fully adjustable. Normal and sliding guide arm available.



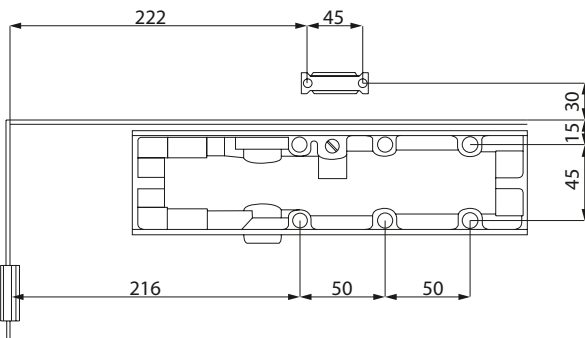
EN-1154

EN-1634

- FIRE RATED
- CE CERTIFIED
- POWER LEVEL 2-6
- DOOR WIDTH FROM 850 TO 1100 mm
- DOOR WEIGHT FROM 25 TO 85 Kg



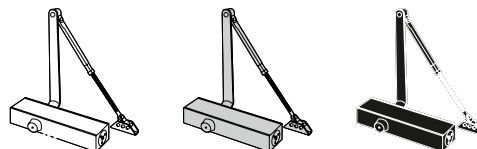
Sliding arm function optional



| TECHNICAL CHARACTERISTICS | DC3 |
|---------------------------------------|-----------------------------------|
| Closing level | EN 2-5 |
| Door Width | 850-1250 mm |
| Door weight | 25-100 Kg |
| Fire Rated | EN-1634 |
| Suitable for both left and right hand | YES |
| Design style | European comercial building style |
| Standard installation | YES |
| Arm parallel mounted | YES |
| Transom mounted | YES |
| Adjustable closing speed | YES |
| Material | Aluminium body and Steel arm |
| Length of hole horizontal mounting | 100 mm |
| Length of hole verical mounting | 45 mm |
| Adjustable backcheck | SI |
| Sliding arm | Optional |
| Adjustable latch action | NO |
| Cycles tested | 500.000 (EN-1154) |
| Mounting | Optional |

| CODE | DESCRIPTION | EN1 | EN2 | EN3 | EN4 | EN5 | EN6 | HOLD-OPEN | SLIDING ARM |
|-------|-------------|-----|-----|-----|-----|-----|-----|-----------|-------------|
| 22193 | DC3 | | ● | ● | ● | ● | | | |
| 22194 | DC3 H | | ● | ● | ● | ● | | ● | |
| 22232 | DC3 SA | | ● | ● | ● | ● | | | ● |
| 22233 | DC3 SA H | | ● | ● | ● | ● | | ● | ● |

In order to choose the colour of the door closer add "/G" after the CODE for grey colour, "/B" for black colour or "/W" for white



CODIFICATION EXAMPLE:

DC3 Door closer with hold open function in black colour: DC3 H/N

New

DORCAS DC4

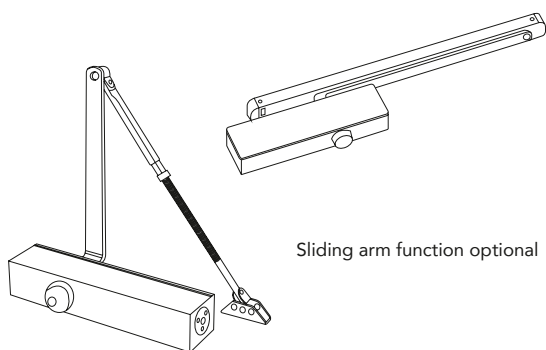
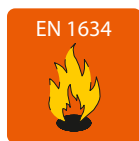
EN-1154

EN-1634

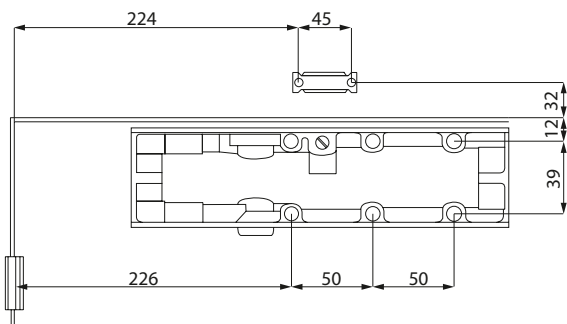
DC4 model is suitable for a wide range of doors from light to very heavy doors up to 150Kg. It is ideal for shops and interior doors. Its closing speed can be fully adjustable.



- FIRE RATED
- CE CERTIFIED
- POWER LEVEL 2-6
- DOOR WIDTH FROM 850 TO 1500 mm
- DOOR WEIGHT FROM 25 TO 150 Kg



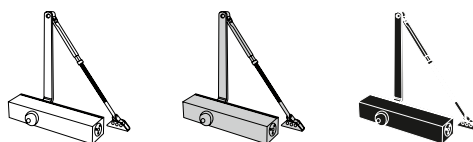
Sliding arm function optional



| TECHNICAL CHARACTERISTICS | DC4 |
|---------------------------------------|-----------------------------------|
| Closing level | EN 2-6 |
| Door Width | 850-1500 mm |
| Door weight | 25-150 Kg |
| Fire Rated | EN-1634 |
| Suitable for both left and right hand | YES |
| Design style | European comercial building style |
| Standard installation | YES |
| Arm parallel mounted | YES |
| Transom mounted | YES |
| Adjustable closing speed | YES |
| Material | Aluminium body and Steel arm |
| Length of hole horizontal mounting | 100 mm |
| Length of hole verical mounting | 39 mm |
| Adjustable backcheck | YES |
| Sliding arm | Optional |
| Adjustable latch action | YES |
| Cycles tested | 500.000 (EN-1154) |
| Mounting | Optional |

| CODE | DESCRIPTION | EN1 | EN2 | EN3 | EN4 | EN5 | EN6 | HOLD-OPEN | SLIDING ARM |
|-------|-------------|-----|-----|-----|-----|-----|-----|-----------|-------------|
| 22213 | DC4 | | ● | ● | ● | ● | ● | | |
| 22214 | DC4 H | | ● | ● | ● | ● | ● | ● | |
| 22215 | DC4 SA | | ● | ● | ● | ● | ● | | ● |
| 22235 | DC4 SA H | | ● | ● | ● | ● | ● | ● | ● |

In order to choose the colour of the door closer add "/G" after the CODE for grey colour, "/B" for black colour or "/W" for white



CODIFICATION EXAMPLE:

DC4 Door closer with hold open function and sliding arm in grey colour: DC4 SA H/G

New

DORCAS

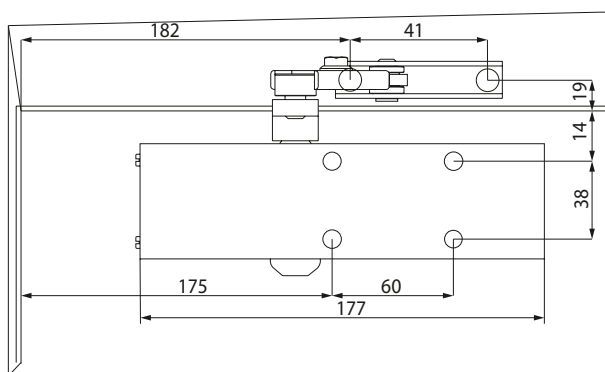
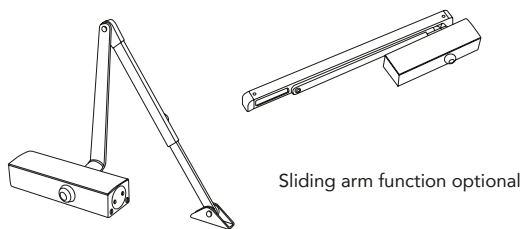
DC5



EN-1154

EN-1634

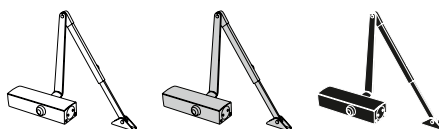
- FIRE RATED
- CE CERTIFIED
- POWER LEVEL 3
- DOOR WIDTH - 950 mm
- DOOR WEIGHT FROM 45 TO 65 Kg



| TECHNICAL CHARACTERISTICS | DC5 |
|---------------------------------------|-------------------------------------|
| Closing level | EN 3 |
| Door Width | <950 mm |
| Door weight | 40-65 Kg |
| Fire Rated | EN-1634 |
| Suitable for both left and right hand | YES |
| Design style | European commercial building style |
| Standard installation | YES |
| Arm parallel mounted | YES |
| Transom mounted | YES |
| Adjustable closing speed | YES |
| Material | Aluminium body and forged steel arm |
| Length of hole horizontal mounting | 60 mm |
| Length of hole vertical mounting | 38 mm |
| Adjustable backcheck | YES |
| Sliding arm | Optional |
| Adjustable latch action | YES |
| Cycles tested | 500.000 (EN-1154) |
| Mounting | Optional |

| CODE | DESCRIPTION | EN1 | EN2 | EN3 | EN4 | EN5 | EN6 | HOLD-OPEN | SLIDING ARM |
|-------|-------------|-----|-----|-----|-----|-----|-----|-----------|-------------|
| 22195 | DC5 | | | ● | | | | | |
| 22196 | DC5 H | | | ● | | | | ● | |
| 22236 | DC5 SA | | | ● | | | | | ● |
| 22237 | DC5 SA H | | | ● | | | | ● | ● |

In order to choose the colour of the door closer add "/G" after the CODE for grey colour, "/B" for black colour or "/W" for white



CODIFICATION EXAMPLE:

DC5 Door closer with hold open function in white colour: DC5 H/B

New

DORCAS DC6

EN-1154

EN-1634

DC6 door closer is a classic design closer with a compact model with fully adjustable closing speed by two control valves and adjustable final jawing. It is a model for using in residential and commercial doors, it is fast and easy to install and adjust.

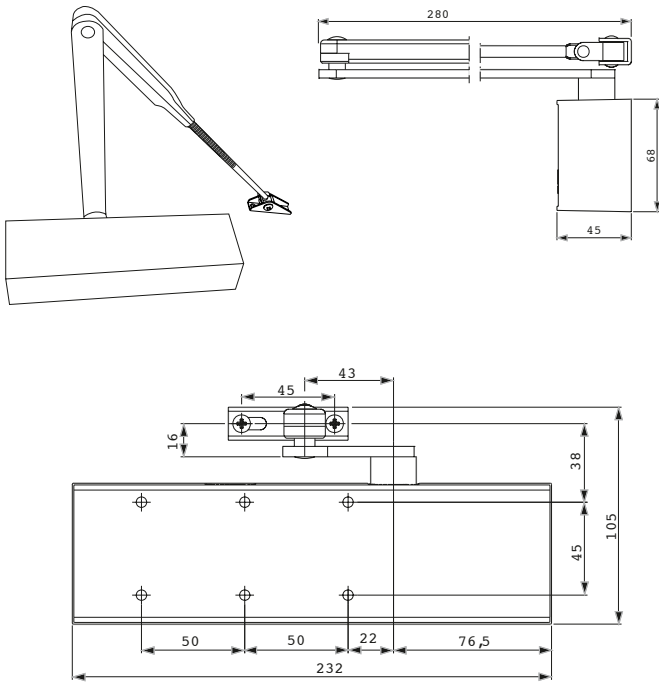
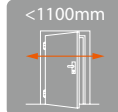


- FIRE RATED
- CE CERTIFIED
- POWER LEVEL 2-4
- DOOR WIDTH TILL 1100 mm
- DOOR WEIGHT FROM 25 TO 85 Kg

EN 1634



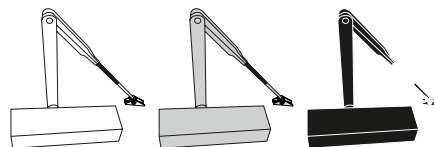
EN
2-4



| TECHNICAL CHARACTERISTICS | DC6 |
|---------------------------------------|------------------------------------|
| Closing level | EN 2-4 |
| Door Width | <1100 mm |
| Door weight | 25-85 Kg |
| Fire Rated | EN-1634 |
| Suitable for both left and right hand | YES |
| Design style | European commercial building style |
| Standard installation | YES |
| Arm parallel mounted | YES |
| Transom mounted | YES |
| Adjustable closing speed | YES |
| Material | Aluminium body and steel arm |
| Length of hole horizontal mounting | 100 mm |
| Length of hole vertical mounting | 45 mm |
| Adjustable backcheck | NO |
| Sliding arm | YES |
| Adjustable latch action | NO |
| Cycles tested | 500.000 (EN-1154) |
| Mounting | Optional |

| CODE | DESCRIPTION | EN1 | EN2 | EN3 | EN4 | EN5 | EN6 | HOLD-OPEN | SLIDING ARM |
|-------|-------------|-----|-----|-----|-----|-----|-----|-----------|-------------|
| 22231 | DC6 | | ● | ● | ● | | | | |
| 22238 | DC6 SA | | ● | ● | ● | | | | ● |
| 22219 | DC6 H | | ● | ● | ● | | ● | | |
| 22239 | DC6 SA H | | ● | ● | ● | | ● | | ● |

In order to choose the colour of the door closer add "/G" after the CODE for grey colour, "/B" for black colour or "/W" for white



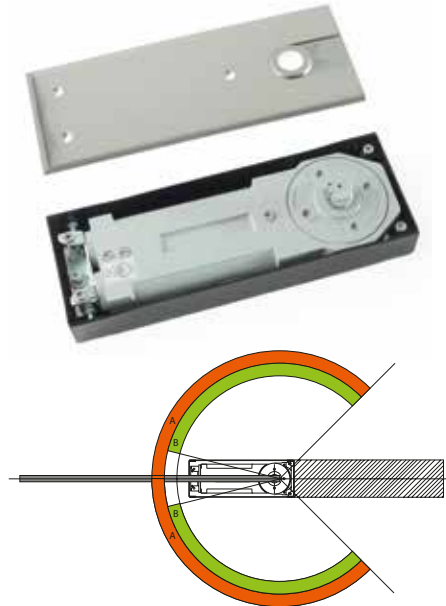
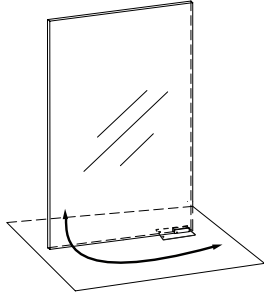
CODIFICATION EXAMPLE:

DC6 Door closer with hold open function in black colour: DC6 H/N

New

DORCAS FS1 & FS2

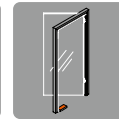
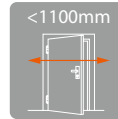
Perfect esthetic solution for exterior glass doors.
Fit doors up to 120Kg weight giving reliability and quality to your system.



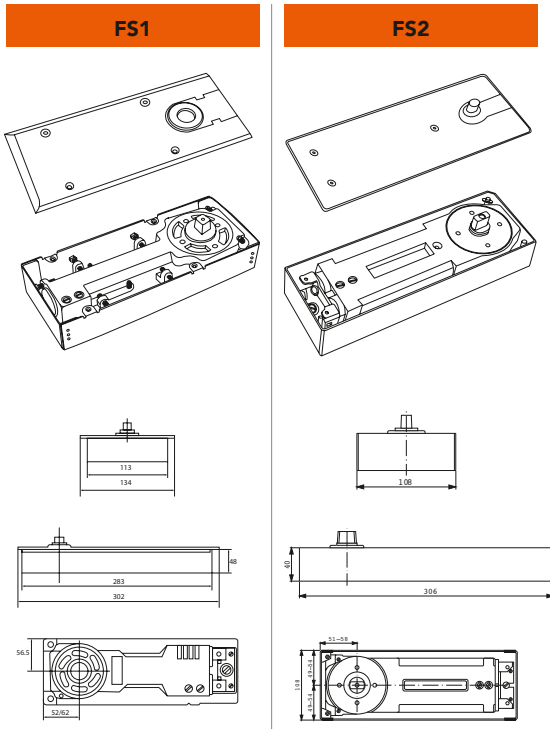
A- Primary adjustment range 130° to 0°
B- Secondary adjustment range 130° to 20°

- POWER LEVEL 1-4
- DOOR WIDTH LESS THAN 1100 mm
- DOOR WEIGHT STILL 120 Kg
- FLOOR INSTALLATION
- HIGH MECHANICAL EFFICIENCY

**EN
1-4**



| TECHNICAL CHARACTERISTICS | FS1 | FS2 |
|---------------------------------------|-------------------|-------------------|
| Closing level | EN 1-4 | EN 2-4 |
| Door Width | <1100 mm | <1100 mm |
| Door weight | <120 Kg | <100 Kg |
| Fire Rated | NO | NO |
| Suitable for both left and right hand | YES | YES |
| Design style | Floor DOOR CLOSER | Floor DOOR CLOSER |
| Standard installation | - | - |
| Arm parallel mounted | - | - |
| Transom mounted | - | - |
| Adjustable closing speed | YES | YES |
| Material | Iron | Iron |
| Length of hole horizontal mounting | - | - |
| Length of hole vertical mounting | - | - |
| Adjustable backcheck | YES | YES |
| Sliding arm | NO | NO |
| Adjustable latch action | NO | NO |
| Cycles tested | - | - |
| Mounting | NO | NO |



| CODE | DESCRIPTION | EN1 | EN2 | EN3 | EN4 | EN5 | EN6 | FLOOR MORTISE INSTALLATION |
|-------|-------------|-----|-----|-----|-----|-----|-----|----------------------------|
| 22216 | FS1 | ● | ● | ● | ● | | | ● |
| 22217 | FS2 | | ● | ● | ● | | | ● |

FS1 and FS2 doocloser finishings is stainless steel

CODIFICATION EXAMPLE:

Floor spring door closer FS1: FS1

ELECTRIC RELEASE

PLATES

ELECTRIC LOCKS

SECURITY CYLINDER SHIELDS

ELECTROMAGNETIC LOCKS

ACCESS CONTROLS

DOOR CLOSER

ACCESSORIES

New

DORCAS

DH1 & DH2

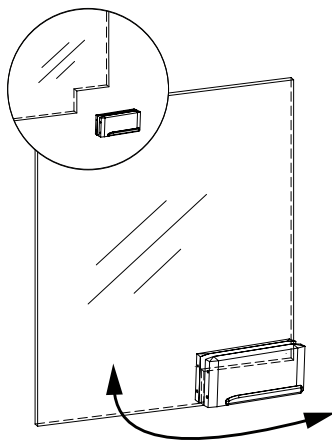
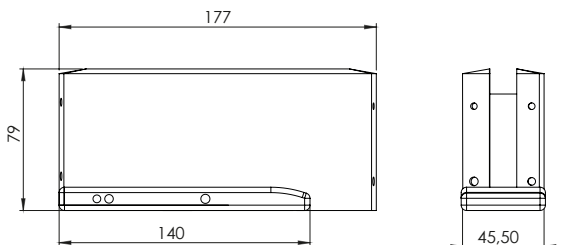
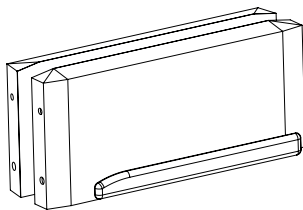
DH door closers makes both hinge and door closer function for glass doors. Stainless steel body allows it operation with leaf doors up to 80Kg. It doesn't need to rim install so, it makes easier the installation.



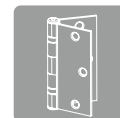
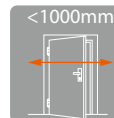
EN-1154

EN-1634

- POWER LEVEL 1-6
- DOOR WIDTH LESS THAN 1000 mm
- DOOR WEIGHT STILL 150 Kg
- HIGH MECHANICAL EFFICIENCY
- HINGE FUNCTION



EN
1-6



TECHNICAL CHARACTERISTICS

| | DH1 | DH2 |
|---------------------------------------|-------------------------------|-------------------------------|
| Closing level | EN 1-4 | EN 1-6 |
| Door Width | <1000 mm | <1000 mm |
| Door weight | <80 Kg | <150 Kg |
| Fire Rated | NO | NO |
| Suitable for both left and right hand | YES | YES |
| Design style | glass floor DOOR CLOSER | glass floor DOOR CLOSER |
| Standard installation | - | - |
| Arm parallel mounted | - | - |
| Transom mounted | - | - |
| Adjustable closing speed | YES | YES |
| Material | Stainless steel | Stainless steel |
| Length of hole horizontal mounting | - | - |
| Length of hole vertical mounting | - | - |
| Adjustable backcheck | YES | YES |
| Sliding arm | NO | NO |
| Adjustable latch action | YES | YES |
| Cycles tested | 500.000 | 500.000 |
| Mounting | YES | YES |

| CODE | DESCRIPTION | EN1 | EN2 | EN3 | EN4 | EN5 | EN6 | HOLD-OPEN | SLIDING ARM |
|-------|-------------|-----|-----|-----|-----|-----|-----|-----------|-------------|
| 22218 | DH1 | ● | ● | ● | ● | | | ● | |
| 22240 | DH2 | ● | ● | ● | ● | ● | ● | ● | |

DH1 and DH2 doocloser finishings is stainless steel

CODIFICATION EXAMPLE:

Floor glass spring door closer DH1: DH1

New

DORCAS

D.O. ACCSIE

New Dorcas "D.O. accsie" model is a motorized automatic system that allow both opening and closing doors independently as an stand-alone system. It fits doors up to 120Kg of weight and it is available a big range of accesories. Combine it with our electric releases or access controls and custom your installation according to your needs. It is adapted to the newest disabled persons access normatives.



- DISABLED PERSONS ACCESS
- FIRE MODE
- MONITORING COMPATIBLE
- OPENING JOLT FULLY ADJUSTABLE
- FAST OPERATION (OPENING/ CLOSING IN 3 SECONDS)
- UP TO 120KG DOOR WEIGHT
- WIND STOP FUNCTION
- PUSH & GO - PULL & GO FUNCTION
- ADJUSTABLE OPENING, PAUSE AND CLOSING TIMES
- DAY/NIGHT MODE
- OPERATING MODES: DOOR FREE, FULLY AUTOMATIC, ALWAYS OPEN
- BUILT IN RF RECEIVER
- SELF LEARNING SET-UP AND RESET
- OBSTACLE DETECTION (ADJUSTABLE CYCLES)
- AUTOMATIC FUNCTIONS WITH WIRELESS DETECTORS
- INPUT VOLTAGE 230VAC OR 16VAC
- BUILT IN BATTERY BACK-UP
- INSIDE OR OUTSIDE INSTALLATION



| TECHNICAL CHARACTERISTICS | D.O. ACCSIE |
|-----------------------------|--------------|
| High | 90 mm |
| Width | 110 mm |
| Depth | 511 mm |
| Operating temperature range | -10 a 55°C |
| Power supply | 230 Vac |
| Motor torque | 15 Nm |
| Max power | 33 W |
| Engine voltage | 24 Vdc |
| Battery | 12 Vdc 1,3Ah |
| Power failure autonomy | 600 cycles |
| Weight | 5 Kg |
| IP grade | IP22 |
| Opening/closing time | 3 - 15 sec |

ELECTRIC RELEASE

PLATES

ELECTRIC LOCKS

SECURITY CYLINDER SHIELDS

ELECTROMAGNETIC LOCKS

ACCESS CONTROLS

DOOR CLOSER

ACCESORIES

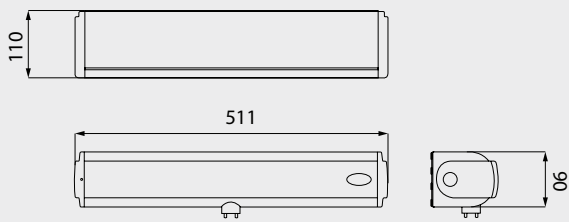
Create your system to order in 3 steps

1

Choose the accsie model you need

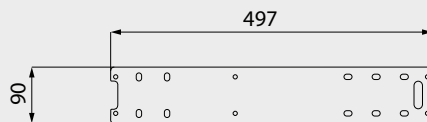
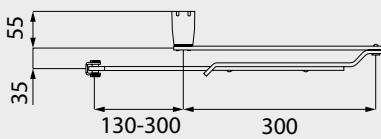


FOR SINGLE DOOR



Universal arm

Fixing plate

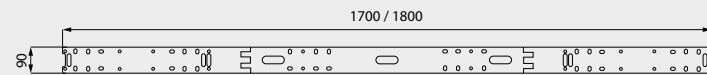


Inwards or outwards opening mounting

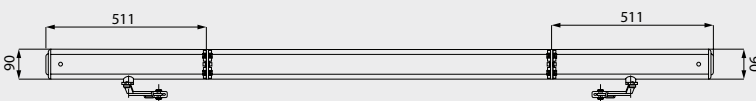


FOR DOUBLE DOOR

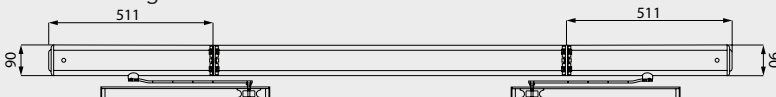
Fixing plate



Double articulated arm installation



Double sliding arm installation



2

Optional accessories

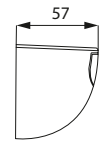
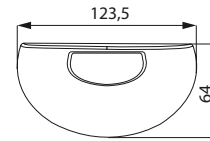
LONG RANGE READER

- Adjustable range up to 15 m
- Simultaneous reading of 20 tags maximum
- Built-in antenna
- Feedback audible y visual
- Lithium removable battery



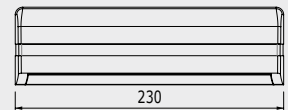
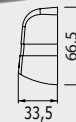
DOOR ACTIVATION SENSOR

- Microwave detection mode
- 2 relays
- ABS constructed
- Range and sensitivity adjustable



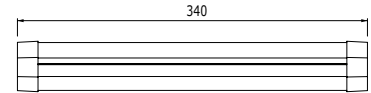
DOOR ACTIVATION + SAFETY DURING CLOSING

- Infrared detection mode
- 2 relays
- ABS constructed
- Range and sensitivity adjustable
- Visual feedback



DOOR ACTIVATION + SAFETY DURING CLOSING

- Infrared detection mode
- ABS constructed
- Range and sensitivity adjustable
- Visual feedback

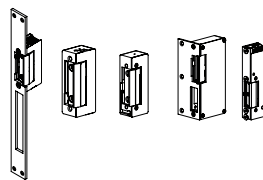


3

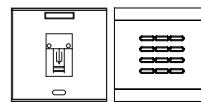
Optional accessories

Complement your installation with our products, electric releases, push buttons, access controls...

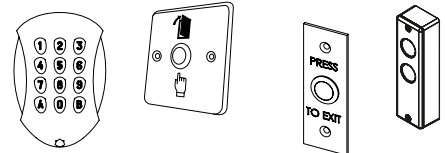
Electric release



Access control



Other accessories

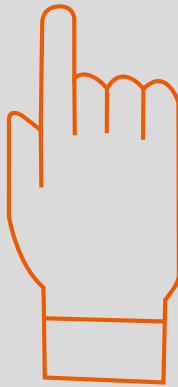
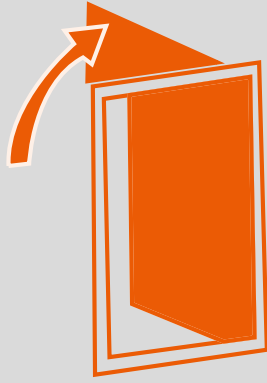


| CODE | DESCRIPTION | MECHANISMS | READER | INFRARED RADAR |
|-------|--|------------|--------|----------------|
| 22300 | D.O. universal arm single door | ● | | |
| 22301 | D.O. universal arm double leaf door 1700mm | ● | | |
| 22302 | D.O. universal arm double leaf door 1800mm | ● | | |
| 22203 | Arm inward outward mounting kit | ● | | |
| 22310 | Stand alone reader | | ● | |
| 22311 | Long range active reader card | | ● | |
| 22312 | Long range opening radar | | | ● |
| 22313 | Frame mounting opening radar | | | ● |
| 22314 | Door mounting opening radar | | | ● |

Standard finish in d.o. is grey colour

CODIFICATION EXAMPLE:

D.O. universal arm single door : 22300





ACCESORIES

DORCAS

ACCESORIES

DOOR CLOSER

ACCESS
CONTROLS

ELECTROMAGNETIC
LOCKS

SECURITY
CYLINDER SHIELDS

ELECTRIC LOCKS

PLATES

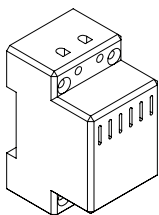
ELECTRIC STRIKES

DORCAS

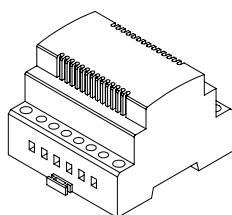
POWER SUPPLIES

Dorcas has a wide range of transformes and stabilized power supplies covering the full range of products we sell. We have 4 models of power supplies from VDC to VAC and 4 from VAC to VDC. They cover a range from 0.5 to 3 Amps.

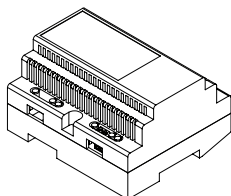
TF1



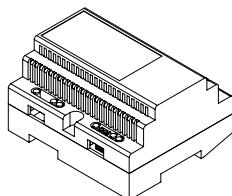
TF2



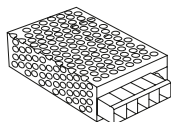
TF3



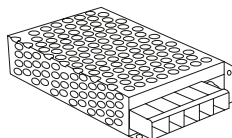
TF4



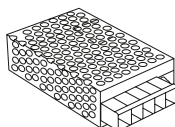
TF5



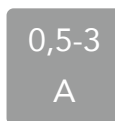
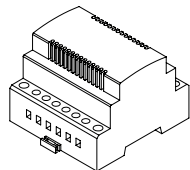
TF6



TF7



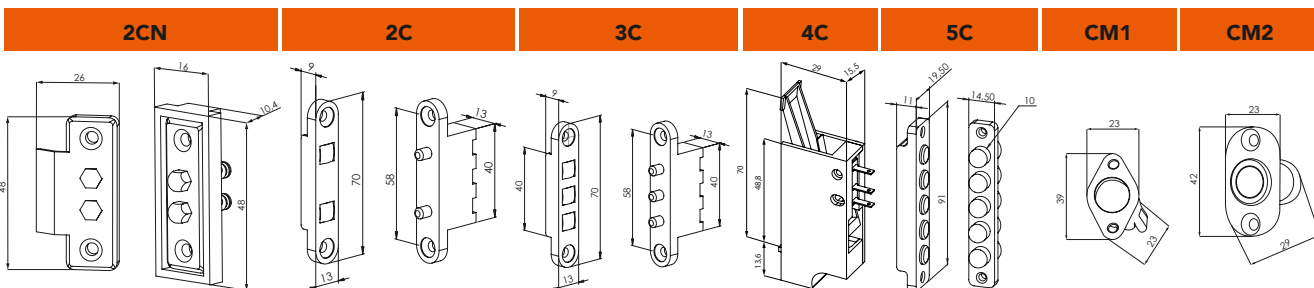
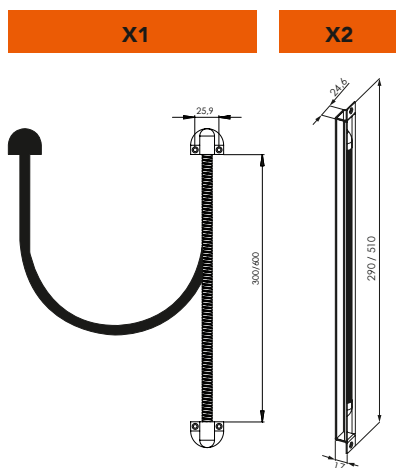
TF8



| TECHNICAL CHARACTERISTICS | AC | | | | DC | | | |
|---------------------------|-------------------|--------------|---------------|--------------|-------------------|-------------------------|-------------------------|-------------------------|
| | TF1 | TF2 | TF3 | TF8 | TF4 | TF5 | TF6 | TF7 |
| Reference | 125 – 230 Vac | 230 Vac | 125 - 230 Vac | 230 Vac | 230 Vac | 230 Vac | 230 Vac | 230 Vac |
| Input | 125 – 230 Vac | 230 Vac | 125 - 230 Vac | 230 Vac | 230 Vac | 230 Vac | 230 Vac | 230 Vac |
| Output voltage | 12 Vac | 12 Vac | 12 Vac | 24 Vac | 12 Vdc | 12 Vdc | 12 Vdc | 24 Vdc |
| Current output | 0,5 A | 1 A | 1,5 A | 1 A | 0,8 A | 2,1 A | 3 A | 1,1 A |
| Power output | 6 VA | 12 VA | 18 VA | 24 VA | 10 VA | 25,2 VA | 36 VA | 26,4 VA |
| Type of fixing | DIN. M3 | DIN. M5 | DIN. M6 | - | DIN. M6 | DIN Optional | DIN Optional | DIN Optional |
| Size (mm) | 44 x 53 x 79 | 88 x 67 x 93 | 105 x 59 x 90 | 91 x 53 x 63 | 105 x 59 x 90 | 78 x 51 x 28 | 99 x 82 x 36 | 78 x 51 x 28 |
| Weigth | 0,325 Kg | 0,512 Kg | 0,65 Kg | 0,3 Kg | 0,45 Kg | 0,2 Kg | 0,3 Kg | 0,2 Kg |
| Operating temperature | -20°C a 70°C | -20°C a 70°C | -20°C a 70°C | -20°C a 70°C | -20°C a 70°C | -20°C a 70°C | -20°C a 70°C | -20°C a 70°C |
| Standard | UNE-EN 61558-2-6. | | | | UNE-EN 61558-2-6. | UL60950-1 TUV EN60950-1 | UL60950-1 TUV EN60950-1 | UL60950-1 TUV EN60950-1 |

ELECTRIC CONTACTS, MAGNETIC CONTACTS AND DOOR LOOPS

Dorcas has a wide range of accessories to facilitate your electrical installations. Electrical contacts 2C, 2CN and 3C allow the passage of current through them: one part is embedded in the frame while the other is installed in the door leaf, thus allowing passage of the current while the door is closed for easy opening. The 4C contact is inserted into the draft of the plate and has a microswitch indicating whether or not the deadbolt is open. X1 (surface) and X2 (mortise) door loops allow current, hidden and protected inside. We have different models and lengths. (special sizes on request)



| ELECTRIC CONTACTS | | | | | | | |
|----------------------|--------------------|---------------------|--------------------|--------------|---------------------------|----------|----------|
| MECHANICAL | | | | | | | |
| Reference | 2C | 2CN | 3C | 4C | 5C | CM1 | CM2 |
| Type of installation | Flush | Flush | Flush | Flush | Flush | Flush | Flush |
| Material | ABS | ABS | ABS | ABS | ABS | Plastic | Metal |
| Maximum current (A) | 2 | 2 | 2 | 3 | 2 | 2 | 2 |
| Number of terminals | 2 | 2 | 3 | Lever | 5 | 1 | 1 |
| Size (mm) | 70x13x9 / 70x13x22 | 48x16x26 / 48x26x17 | 70x13x9 / 70x13x22 | 83,6x29x15,5 | 91x19,5x11 / 91x14,5x16,5 | 39x23x23 | 42x23x29 |
| Rim part/mobile part | 70x13x22 | 48x26x17 | 70x13x22 | | 91x14,5x16,5 | | |

| DOOR LOOPS | | | | |
|------------------------|-----------------|-----------------|------|------|
| Reference | X1 | X1B | X2 | X2B |
| Material | Stainless steel | Stainless steel | Iron | Iron |
| Ends caps | Zamak | Zamak | Iron | Iron |
| Inside diameter (mm) | 7,5 | 7,5 | 9,4 | 9,4 |
| External diameter (mm) | 11 | 11 | 11,8 | 11,8 |
| Tube length (mm) | 300 | 600 | 290 | 510 |

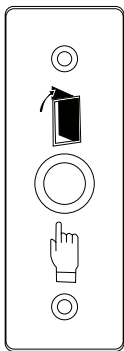
New

DORCAS PUSH BUTTONS

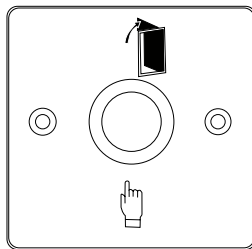
To complete your installations, Dorcas offers a series of buttons in different designs and finishes to your choice. The push-buttons PL1 to PL4 are made of stainless steel and are suitable for any type of installation. The PL5 is finishing in plastic, PL6 is designed for rim installations, and finally we have SF1 that is also being button gives information if the door is opened or closed by color indicators in the style of a traffic light.



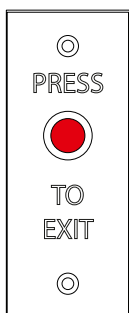
PL1



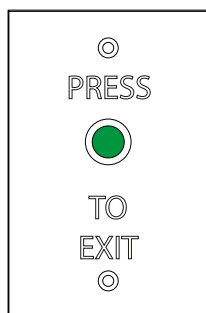
PL2



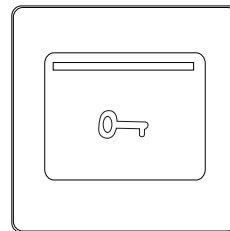
PL3



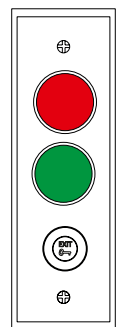
PL4



PL5



SF1



| PUSH BUTTONS | | | | | | | |
|---------------------|-----------------|-----------------|---------------------|---------------------|---------------|--------------|--------------------------|
| Reference | PL1 | PL2 | PL3 | PL4 | PL5 | PL6 | SF1 |
| Type of fixing | Flush | Flush | Flush | Flush | Flush | Rim | Rim |
| Material | Stainless steel | Stainless steel | Stainless steel | Stainless steel | Polycarbonate | ABS | Zinc Alloy |
| Maximum current (A) | 3A/36Vdc | 3A/36Vdc | 5A/125Vac 3A/250Vac | 5A/125Vac 3A/250Vac | 10A/250Vac | 10A/250V | 40mA/12Vdc 50mA/24Vdc |
| Backlighting | No | No | Si | Si | No | No | Si |
| Size (mm) | 91 x 28 x 20 | 91 x 91 x 28 | 100 x 35 x 36 | 120 x 76,2 x 36 | 86 x 86 x 34 | 61 x 61 x 22 | 141 x 41 x 30 |

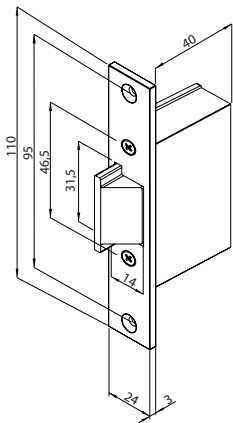
DORCAS

LATCHES and JAWS

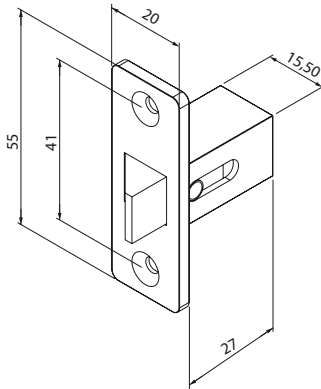
Dorcas offers two different models of latches for use in combination with our products. Our door latches have a stainless steel frontal and are suitable for wooden doors and due to its zinc alloy housing it gives a greater security to the installation. The PI2 model also has an auto-blocking system when the door is closed. , also we provide the latch PI1 recessed for use without electricity and opening by handle.

We offer rim installation P11 jaw for use without electricity and handle opening.

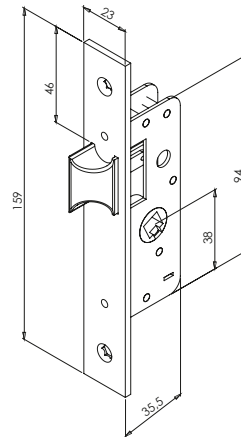
PI1



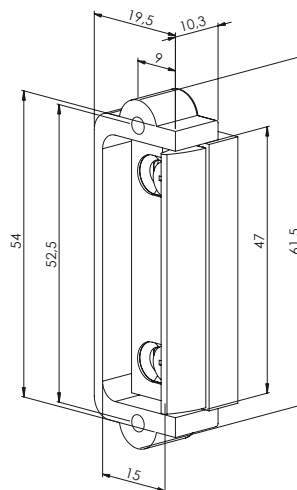
PI2



P11



P10



We offer the "dummie" P10 model without electric functioning for use when installation is not yet completed and works. Thanks to its adjustable jaw it fits any handle.



ELECTRIC STRIKES

PLATES

ELECTRIC LOCKS

SECURITY CYLINDER SHIELDS

ELECTROMAGNETIC LOCKS

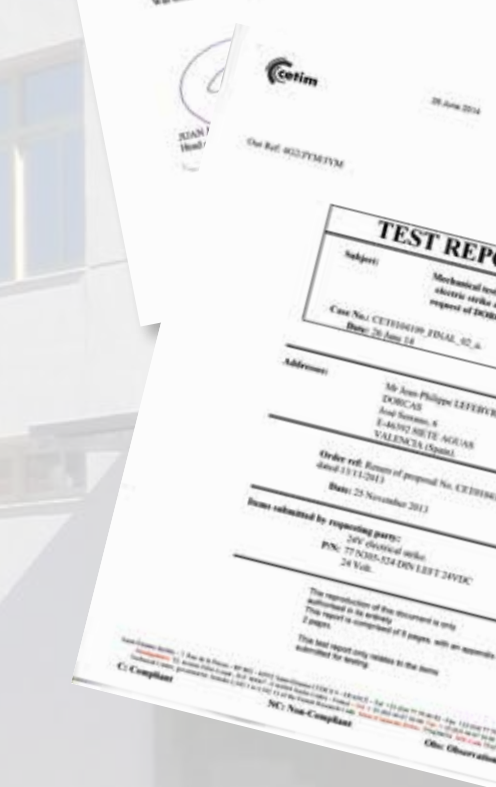
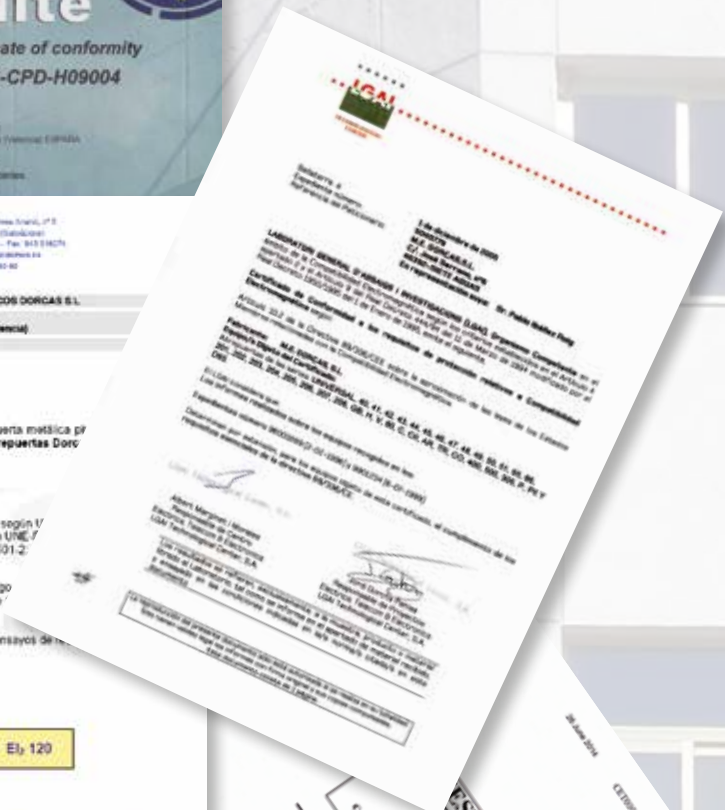
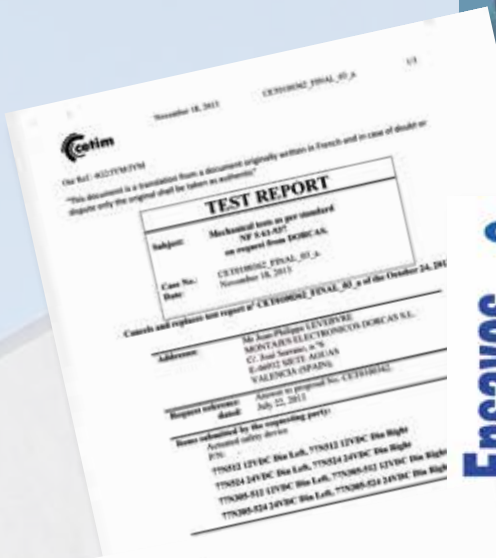
ACCESS CONTROLS

DOOR CLOSER

ACCESSORIES

| Reference | JAWS | | LATCHES | |
|--------------------------------|----------------|---|---------------------------------|----------------------------------|
| | P10 | P11 | PI2 | P11 |
| Type of installation | Flush | Flush | Flush | Flush |
| Recommended for | Buildings | Wood doors | Aluminium profile | Aluminium profile |
| Material | Zamak | Stainless steel front. Zinc alloy mechanism. | Galvanized steel, niquel jaw | Reversible jaw, handle or key |
| Size (mm) Rim part/mobile part | 61,5x10,3x19,5 | 110x40x24 | 55x27x20 | 159x35,5x23 |

CERTIFICATES





DORCAS



Dorcas reserves the right to delete and modify, totally or partially, any of the models, colors, forms, references and technical specifications contained in this catalogue.



DORCAS

Montajes electrónicos DORCAS S.L.
C/ José Serrano, 6
46392 Siete Aguas | Valencia | Spain

Tel. 96 234 10 00 | Fax. 96 234 01 62
Tel. export: +34 96 234 18 03
Fax. export: +34 96 234 18 06

www.dorcas.com

